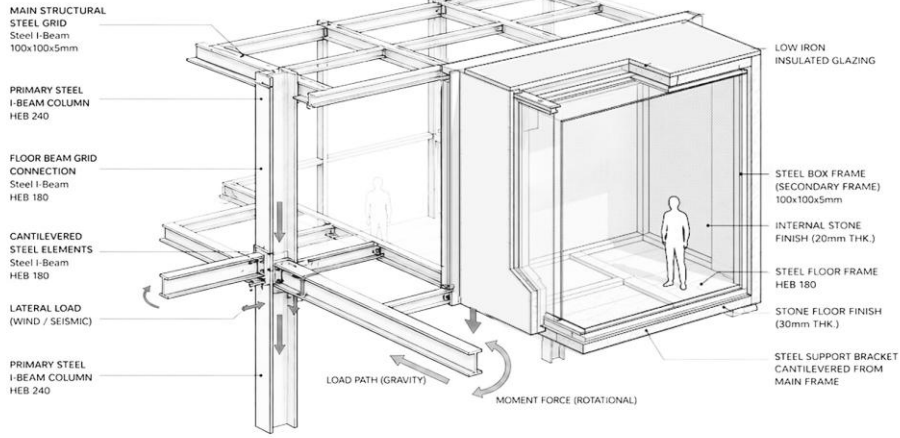
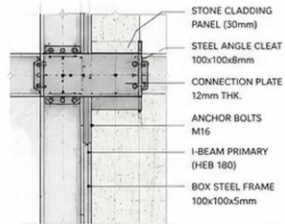


STRUCTURAL CONNECTION DIAGRAM

HERITAGE BOX MODULE ATTACHMENT TO PRIMARY STEEL FRAME



PLAN DETAIL (BOX TO MAIN FRAME)



SECTION DETAIL (BOX SUPPORT SYSTEM)

