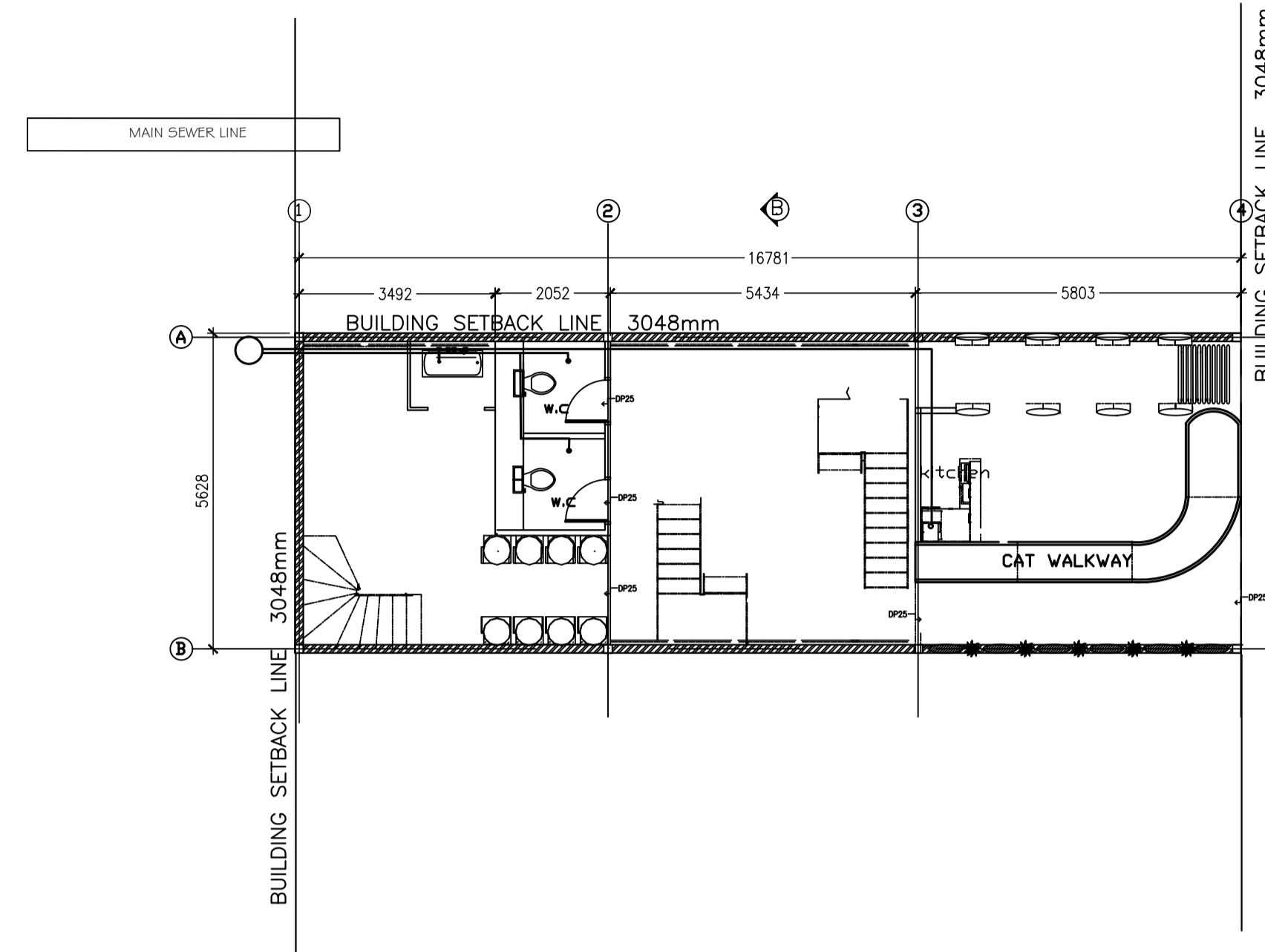
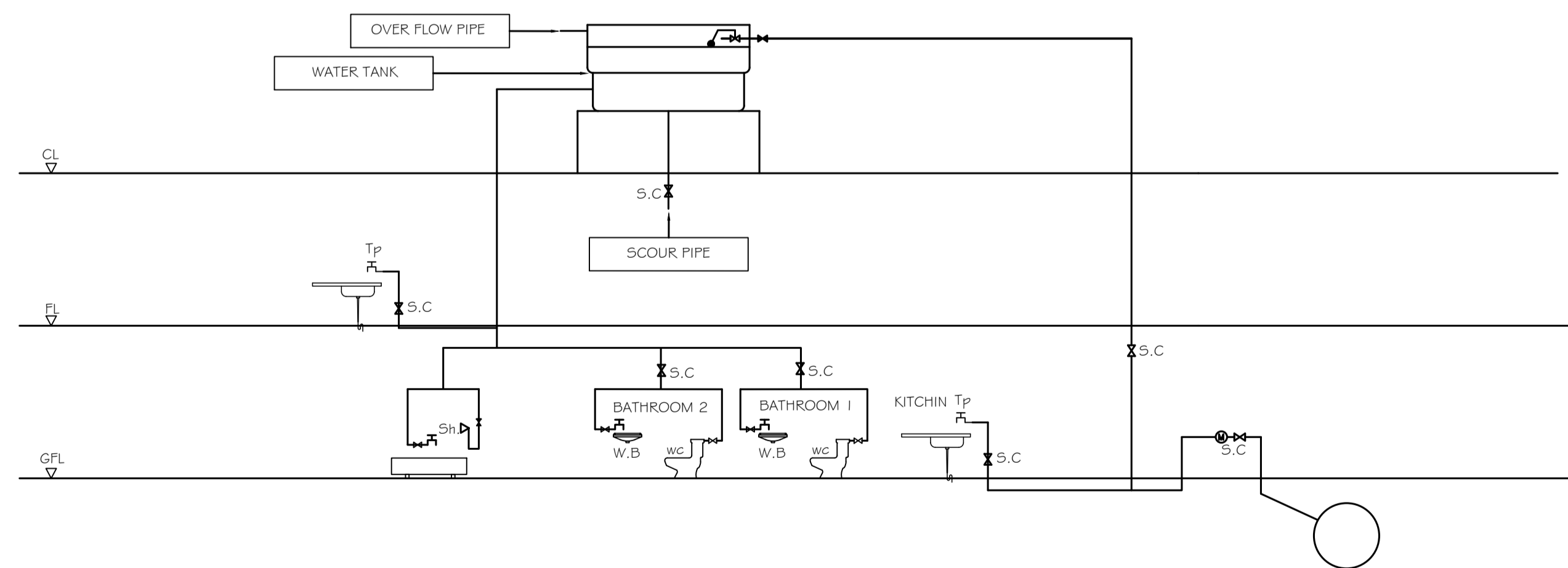


FIRST FLOOR Water Supply Layout  
SCALE 1:100



GROUND FLOOR Water Supply Layout  
SCALE 1:100



Diagrammatic of Water Supply Layout  
NTS

SYMBOL	DESCRIPTION
	Sink
	Water Closet
	Wash Basin
	TAP
	SHOWER
	STOP COCK
	CAT SHOWER

NOTES:

DEPARTMENT:

**CITY UNIVERSITY MALAYSIA**  
 Est 1984  
 DEPARTMENT OF ARCHITECTURE  
 FACULTY OF ARCHITECTURE AND BUILT ENVIRONMENT

COURSE:

BAAD2034  
WORKING DRAWING AND SPECIFICATIONS

PROGRAM:

BACHELOR OF SCIENCE IN (HONS)  
(ARCHITECTURAL DESIGN)

PROJECT:

A CAT CENTER FOR TREATING SICK CATS, A CAT CAFE

SEMESTER:

202509

DRAWING TITLE:

Water Supply Layout

DRAWN BY	SALAH ABDELWAHAB IBRAHIM MOHAMED
STUDENT ID	202405010048
CHECKED BY	AR. MOHD AMINURASID BIN GORMENT
	'ATIQA NADIAH BINTI MOHAMAD HANAFIAH
SCALE	AS SHOWN
DATE	20 DECEMBER 2012
DRAWING NO.	202509WDAS-WD01
SHEET NO.	2/8