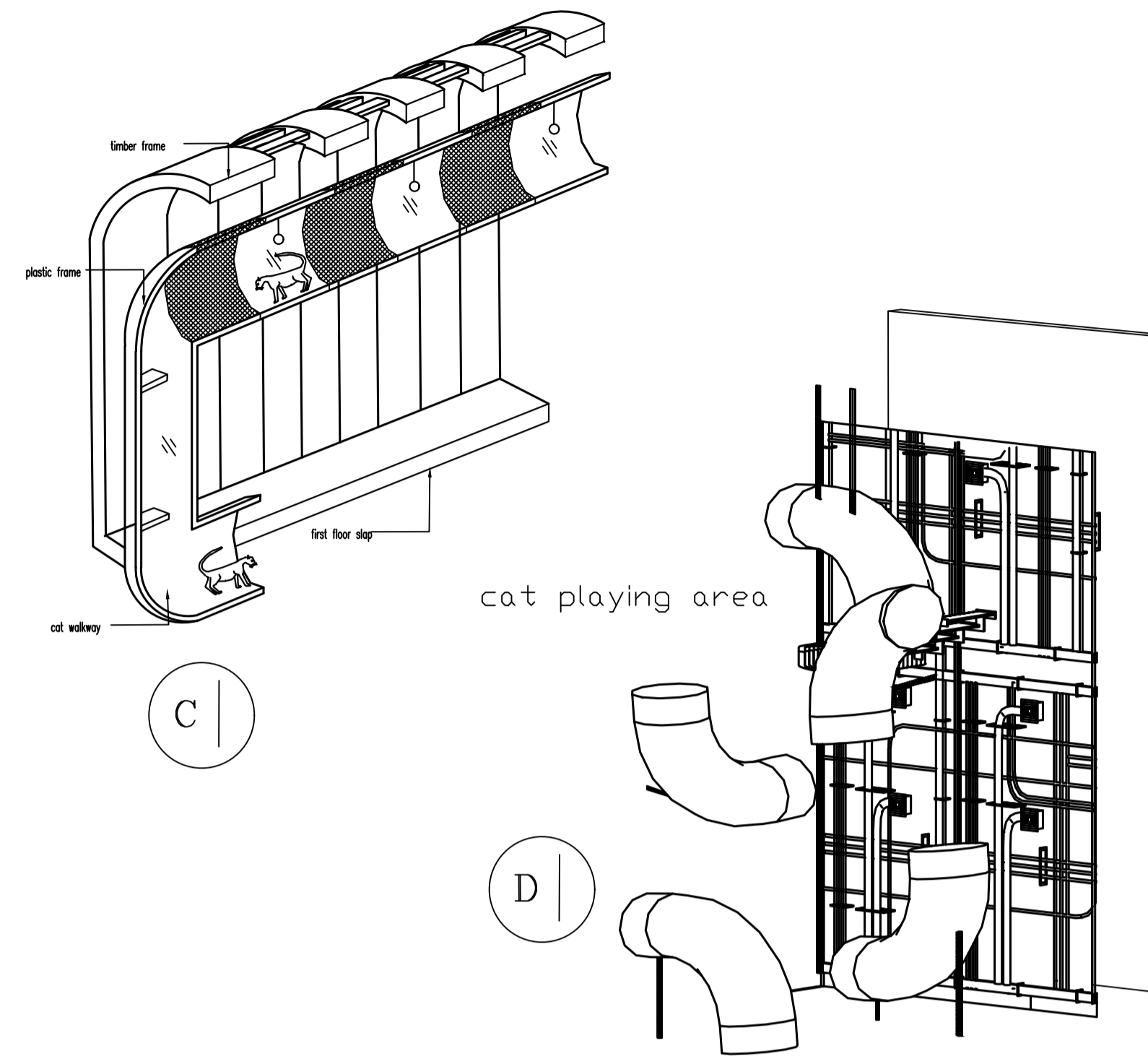
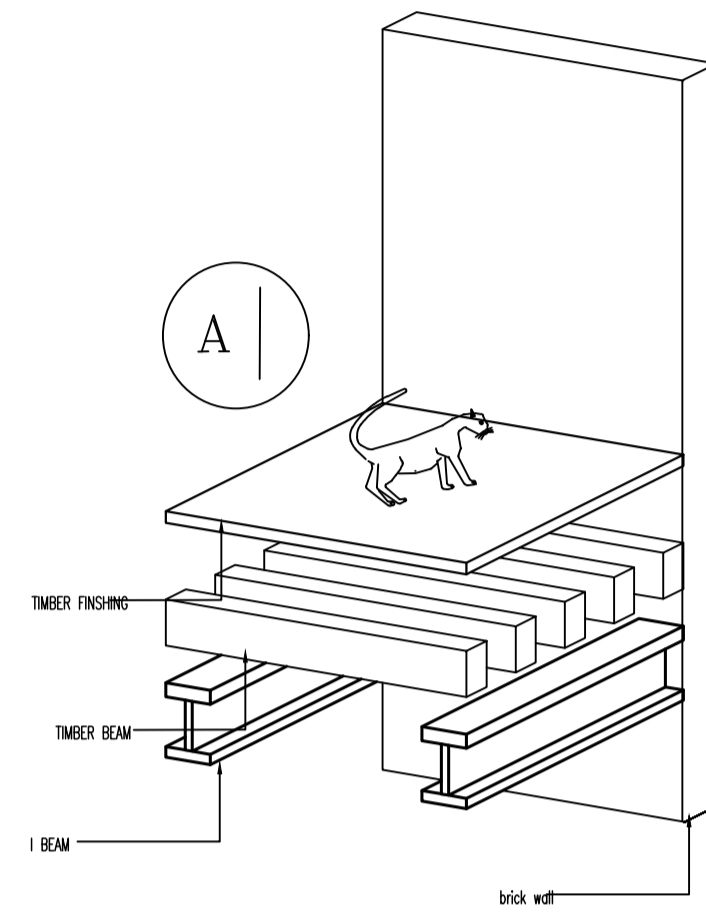
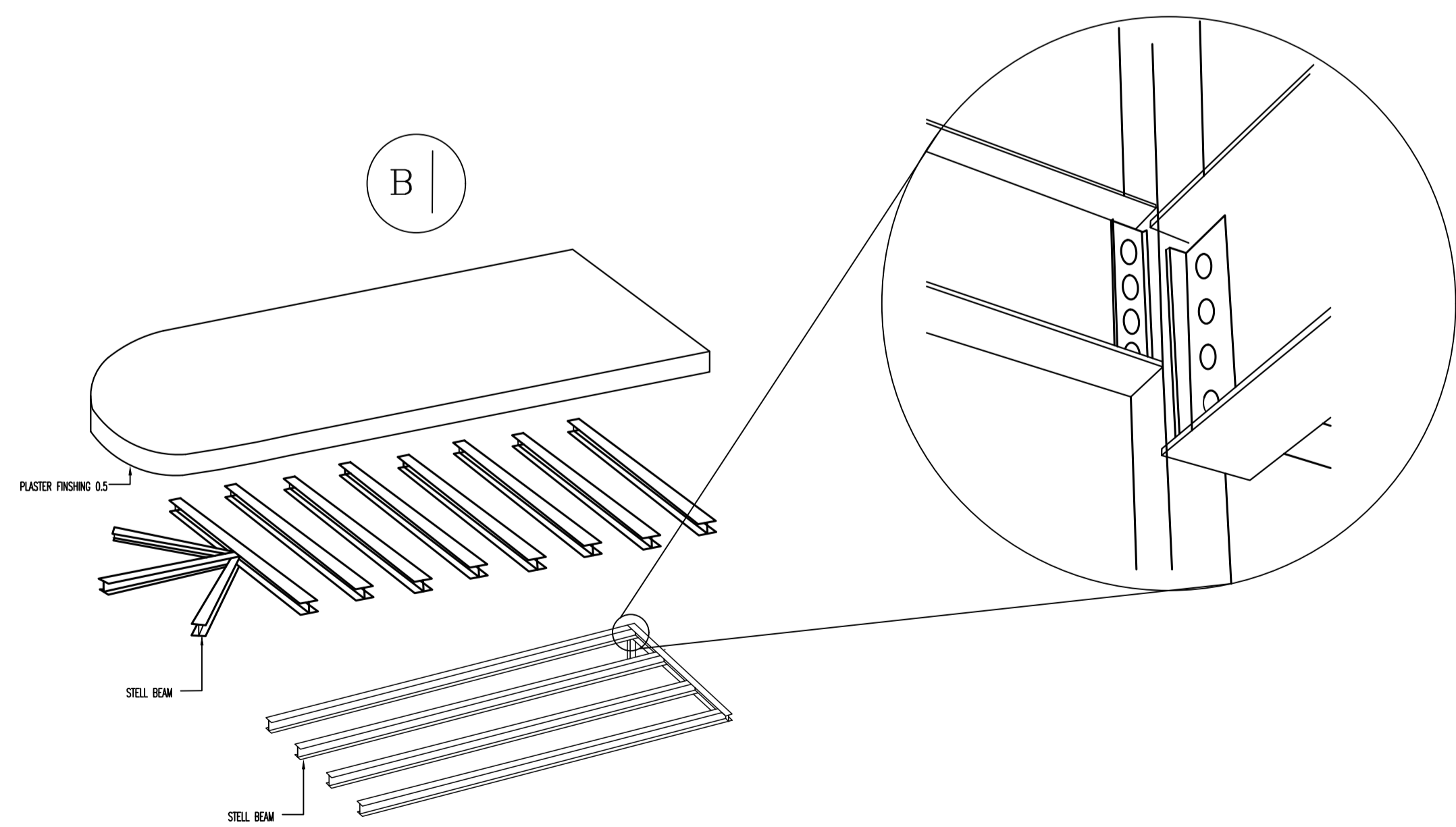


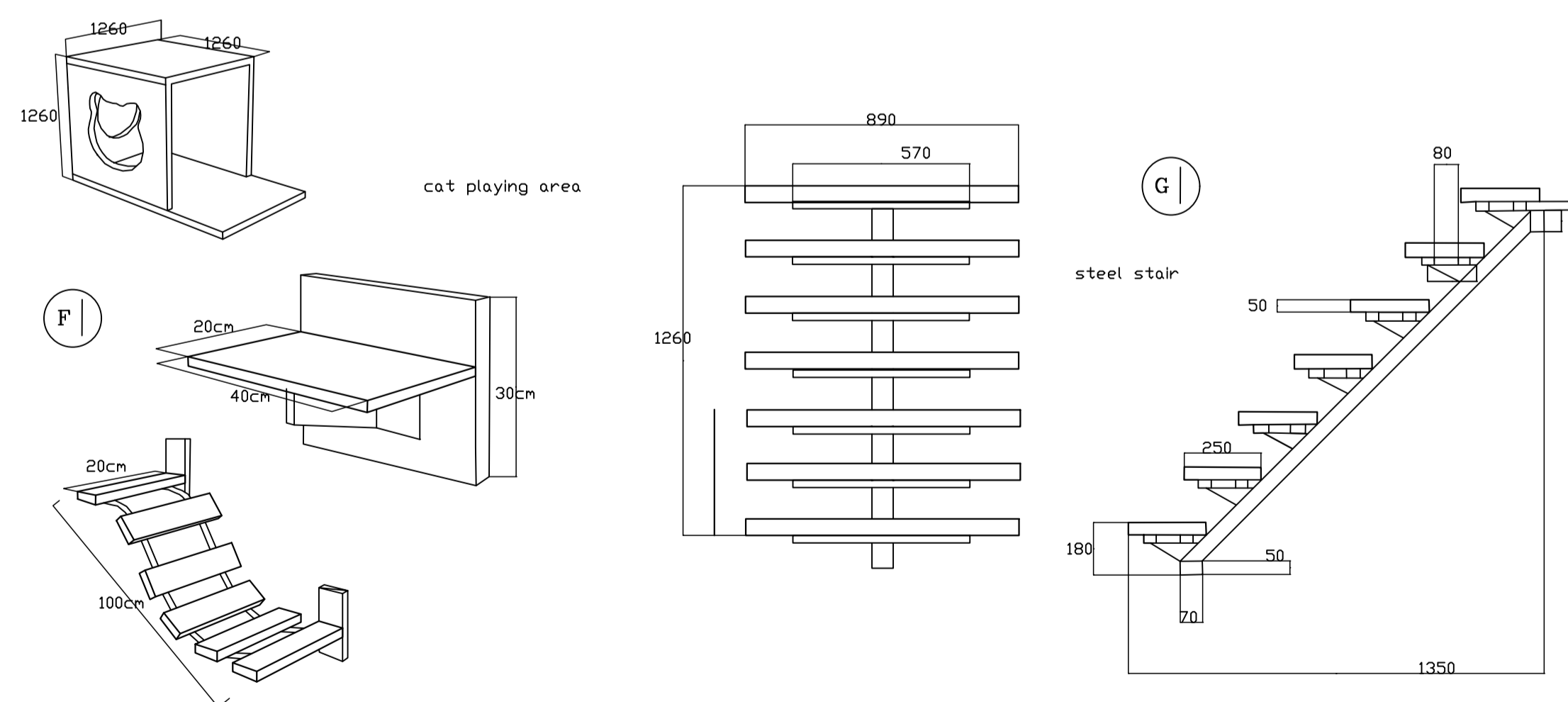
Typical Section and Plow up Detail A
NTS



(CAT PLAYING AREA) Plow up Detail C,D
NTS



(ROOF) Plow up Detail B
NTS



(CAT STAIR AND ROOM) Plow up Detail G,F
NTS

NOTES:

DEPARTMENT:



COURSE:

BAAD2034
WORKING DRAWING AND
SPECIFICATIONS

PROGRAM:

BACHELOR OF SCIENCE IN (HONS)
(ARCHITECTURAL DESIGN)

PROJECT:

A CAT CENTER FOR TREATING SICK
CATS ,A CAT CAFE

SEMESTER:

202509

DRAWING TITLE:

TYPICAL SECTION AND PLOW UP
DETAIL

DRAWN BY

SALAH ABDELWAHAB IBRAHIM MOHAMED

STUDENT ID

202405010048

CHECKED BY

AR. MOHD AMINURASID BIN GORMENT

'ATIQA HANAFIAH BINTI MOHAMAD HANAFIAH

SCALE

AS SHOWN

DATE

20 DECEMBER 2012

DRAWING NO:

202509/WDAS-WD01

SHEET NO:

2/8