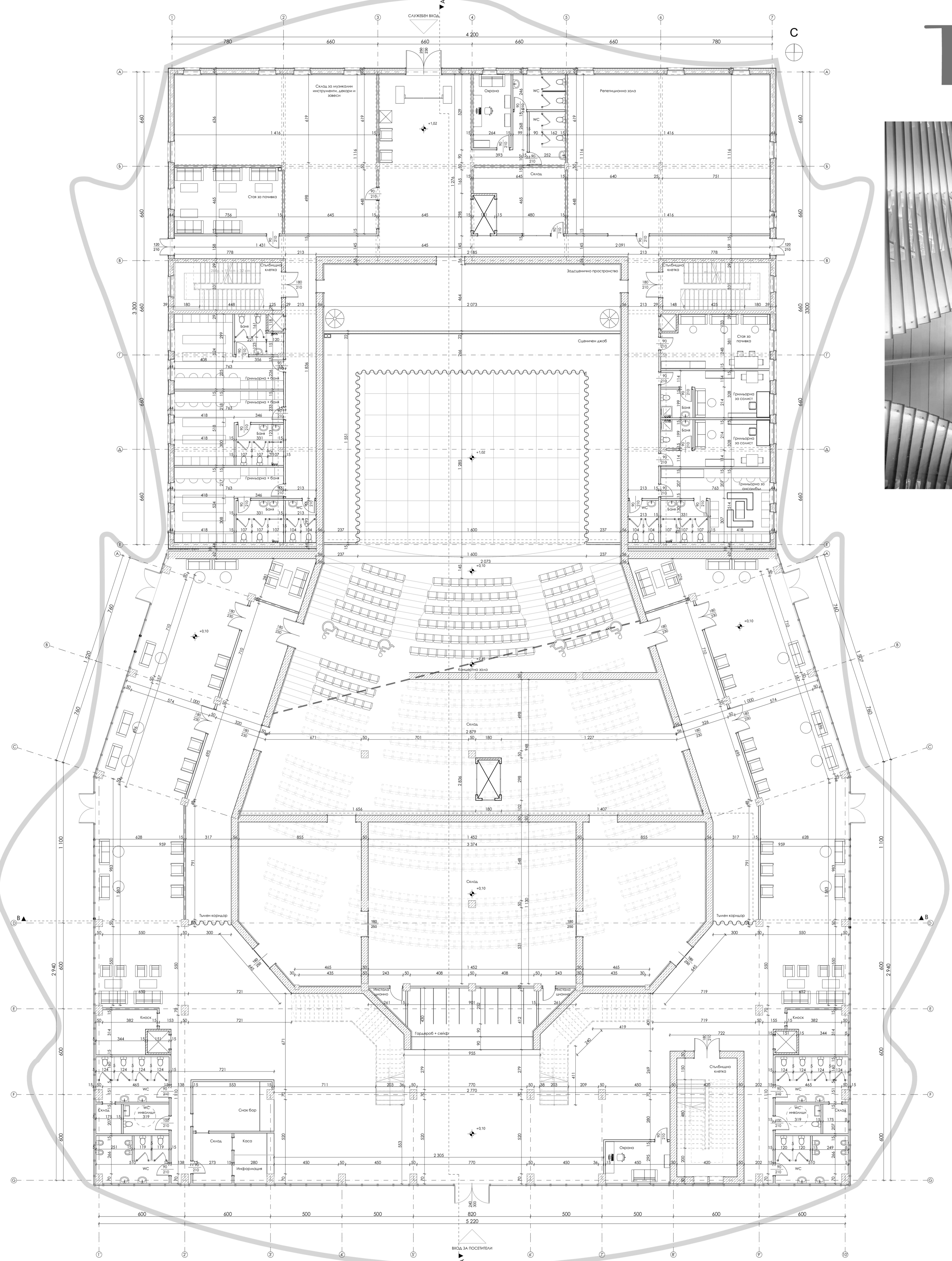


The Velvet Curtain Hall

Concert Hall for 1,200 Visitors | Sofia, Bulgaria | 2026

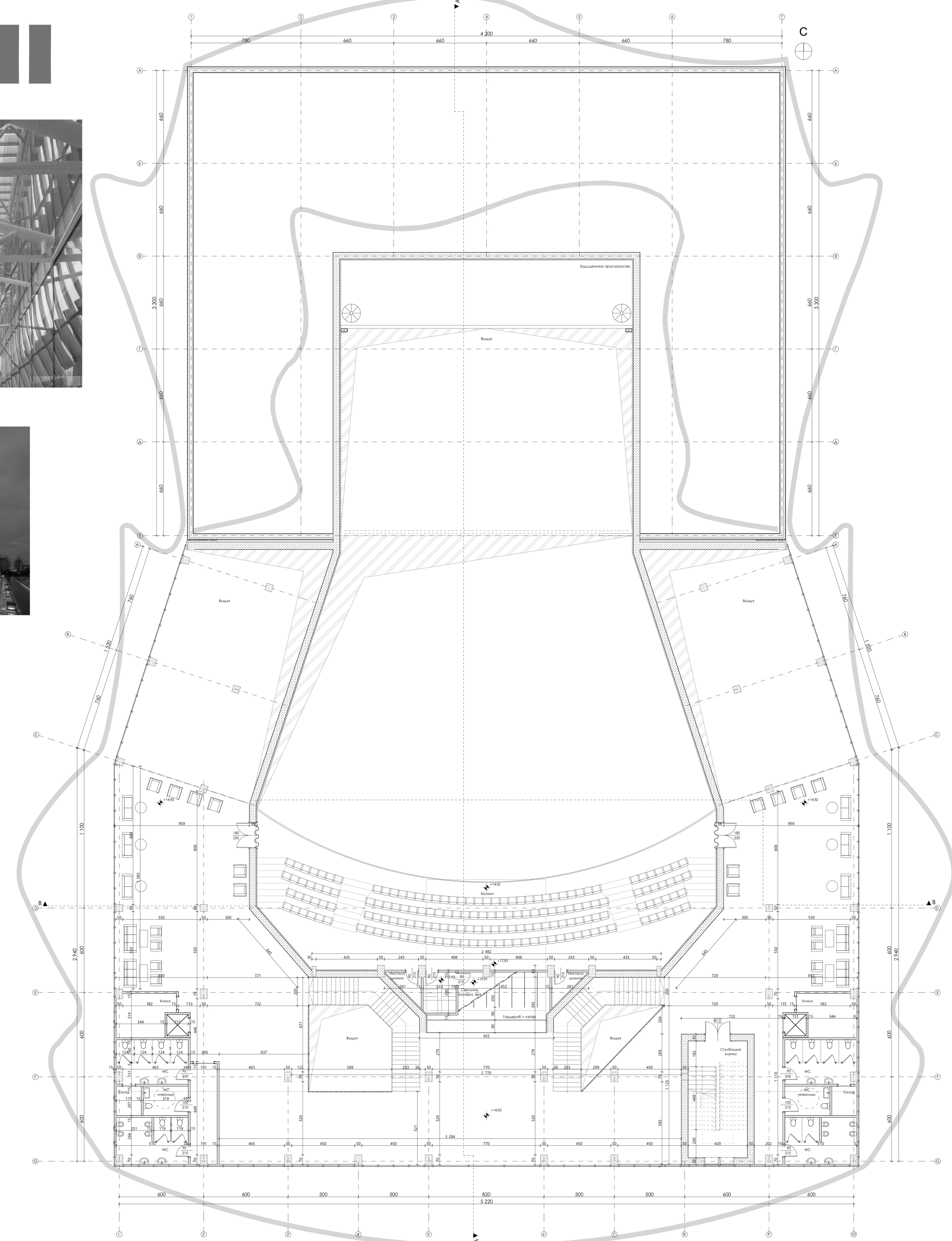
Inspired by the theatrical curtain - the moment of anticipation before every performance - the project reinterprets this iconic element as architecture. A lightweight ventilated façade wraps the building like a flowing curtain, enclosing a solid reinforced concrete core that houses the auditorium. The design is defined by the dialogue between these two systems: the expressive outer skin and the structural inner volume. Together, they create an architectural composition that embodies the relationship between performance and space, transforming the concert hall into a symbol of both movement and permanence.

Valentina Kertova
University of Architecture, Civil Engineering and Geodesy (UACEG), Sofia, Bulgaria



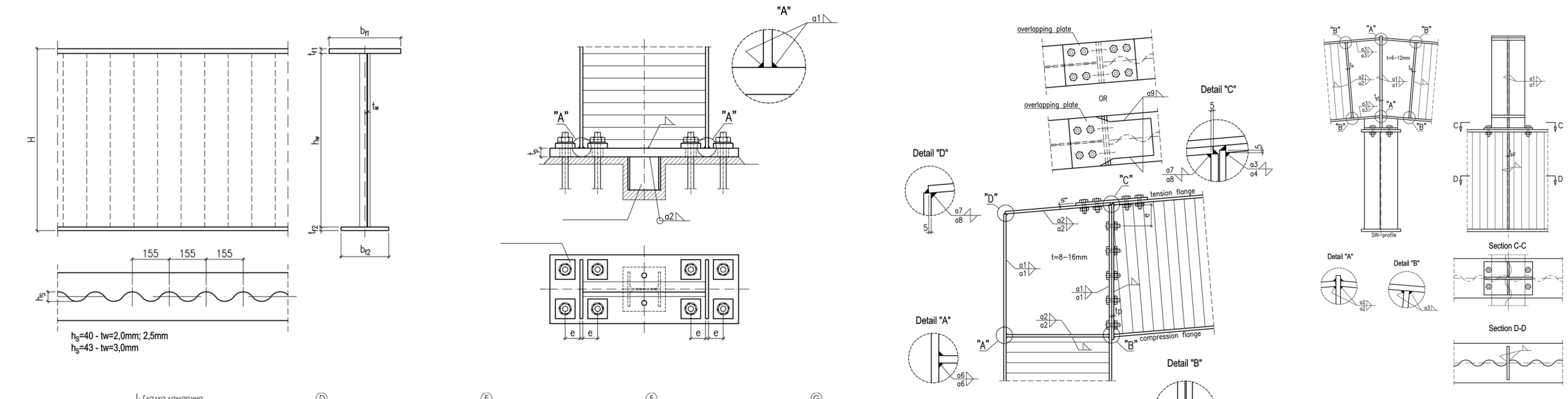
PLAN +0.00

1:150

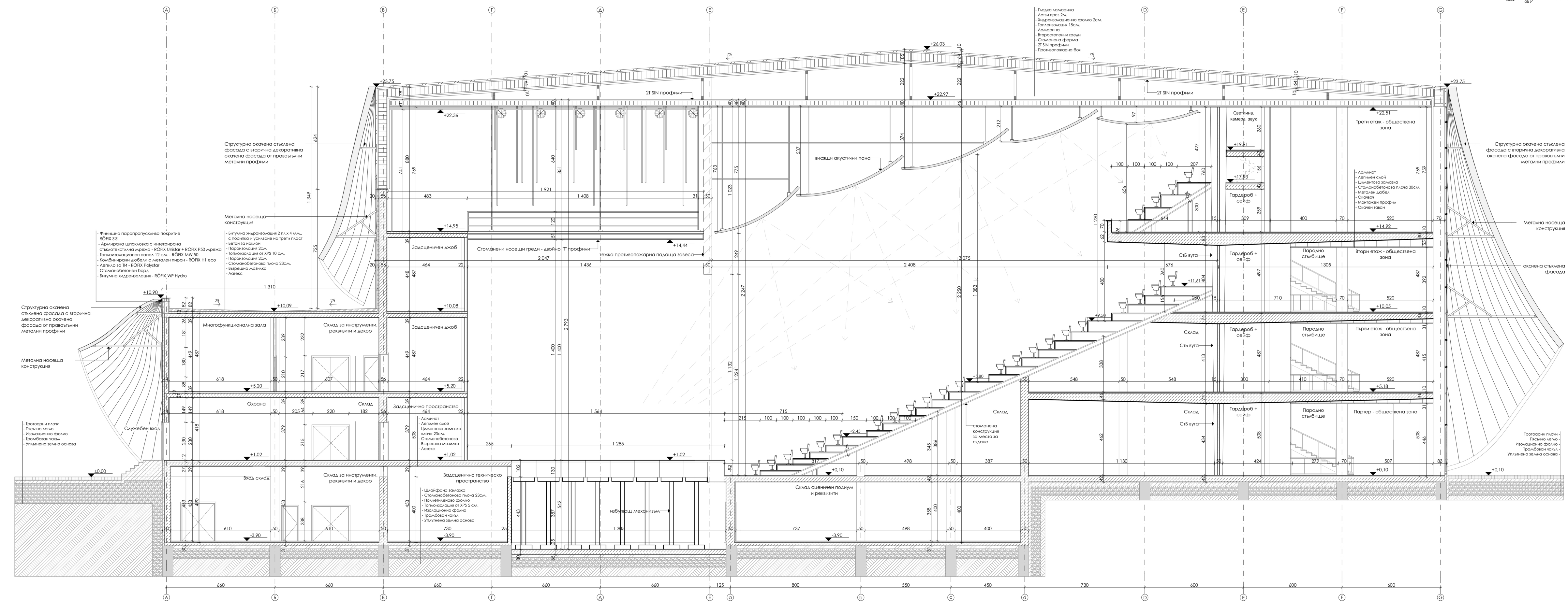


PLAN +14.92

1:150

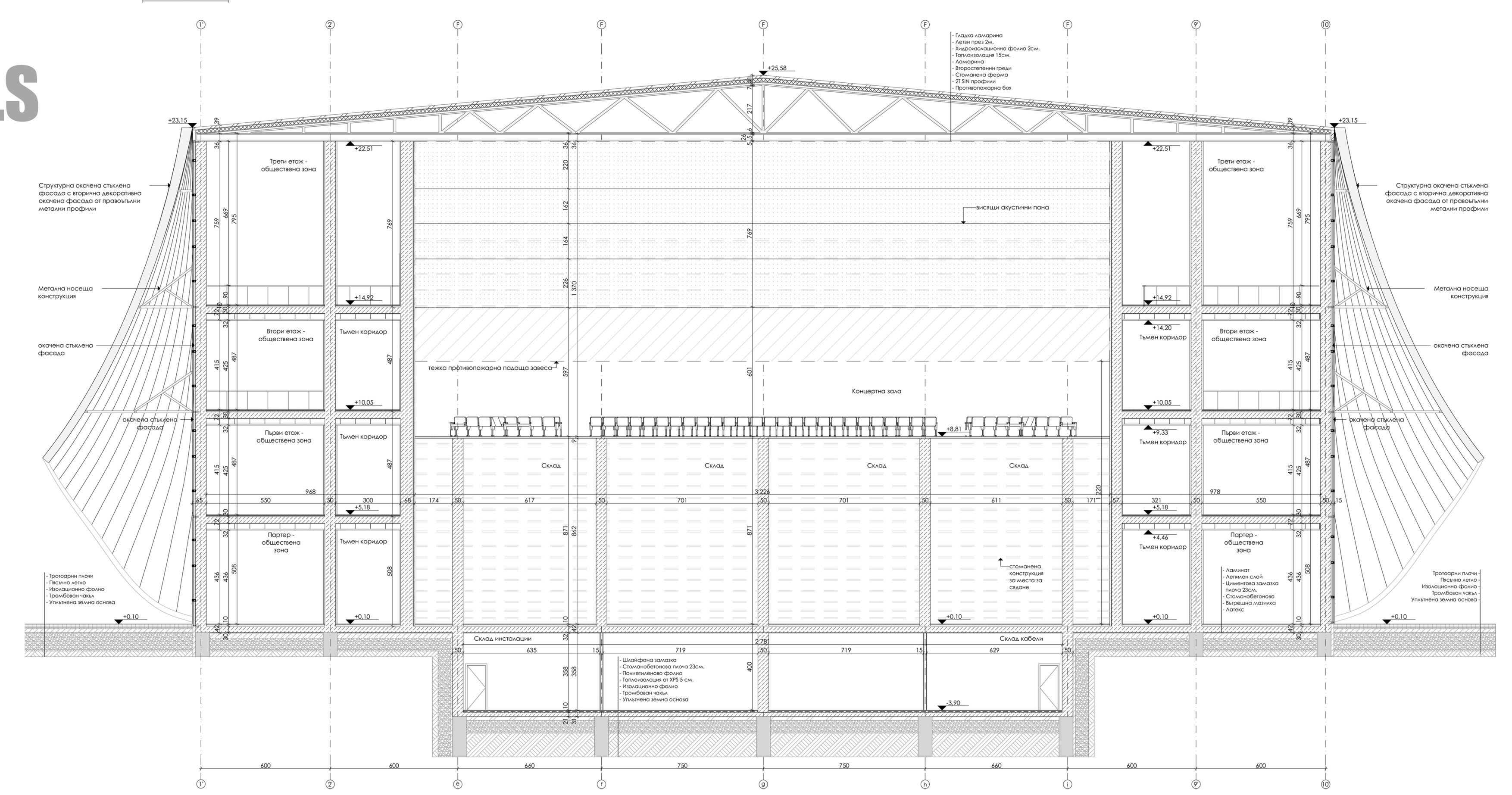


DETAILS



SECTION A-A

1:150



SECTION B-B

1:150