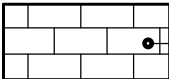




Nota: Sector destinat montarii

- 1  Caramida portanta
grosime-400mm(H=3700)
- 2  BCA(200x240x650)
grosime-200mm(H=3700)
- 3  BCA(120x200x600)
grosime-120mm(H=3700)
- 4 — Gips carton(coaloane)
H=3700mm

| | | | | | |
|-----------|------------|------|---------|-------------------|--|
| | Nume | Semn | UTM | Plan montare | |
| Proiectat | | | FUA | Hol hotel 1:100 5 | |
| Desenat | Breahna I. | | DIN-241 | | |
| Verificat | Plamadeala | | | | |