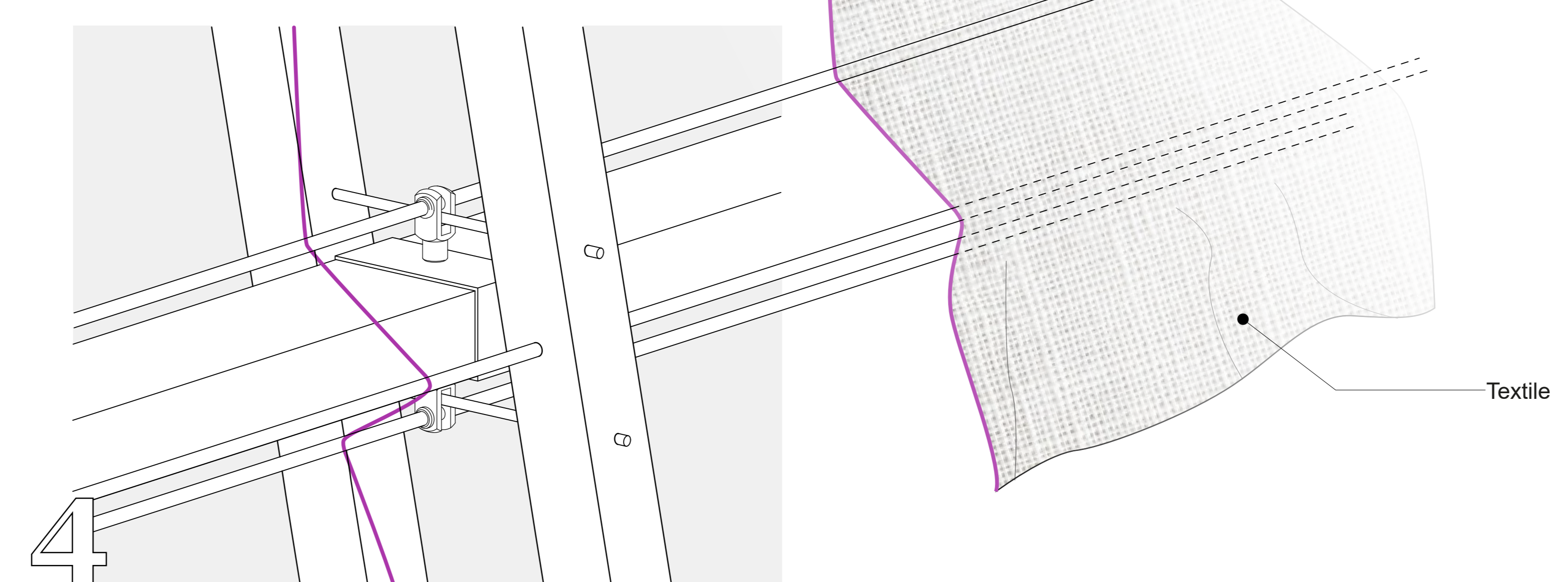
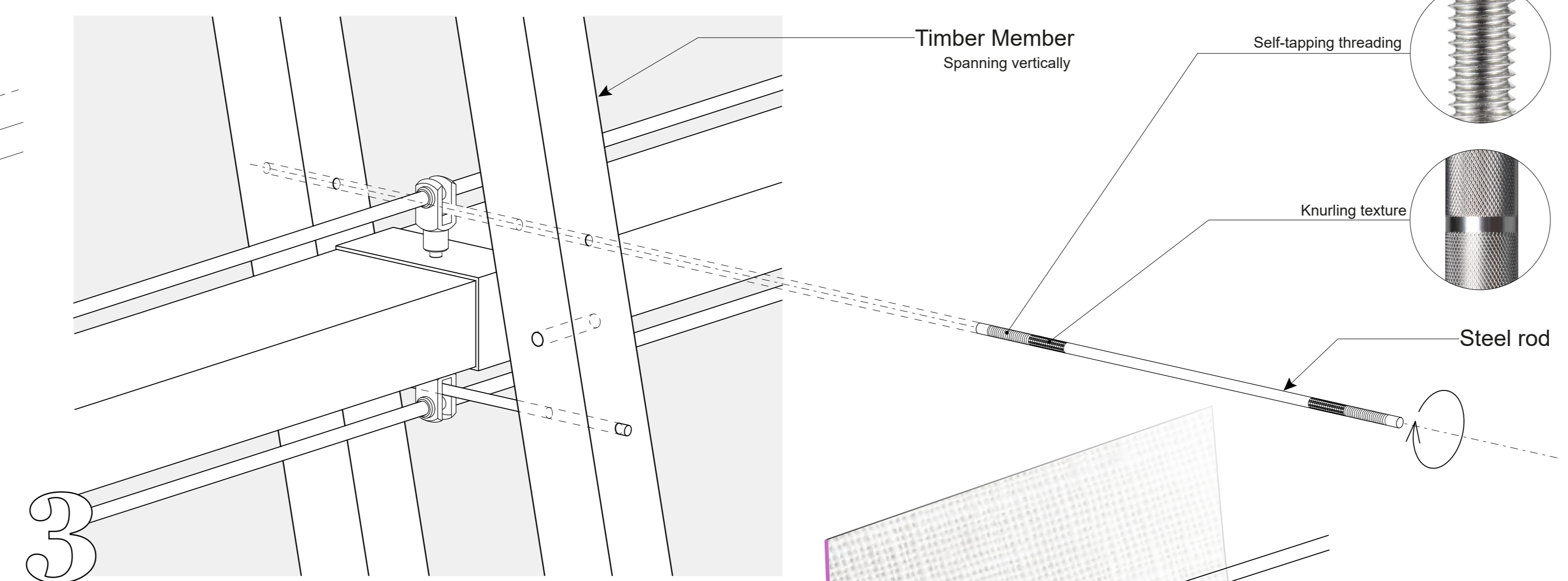
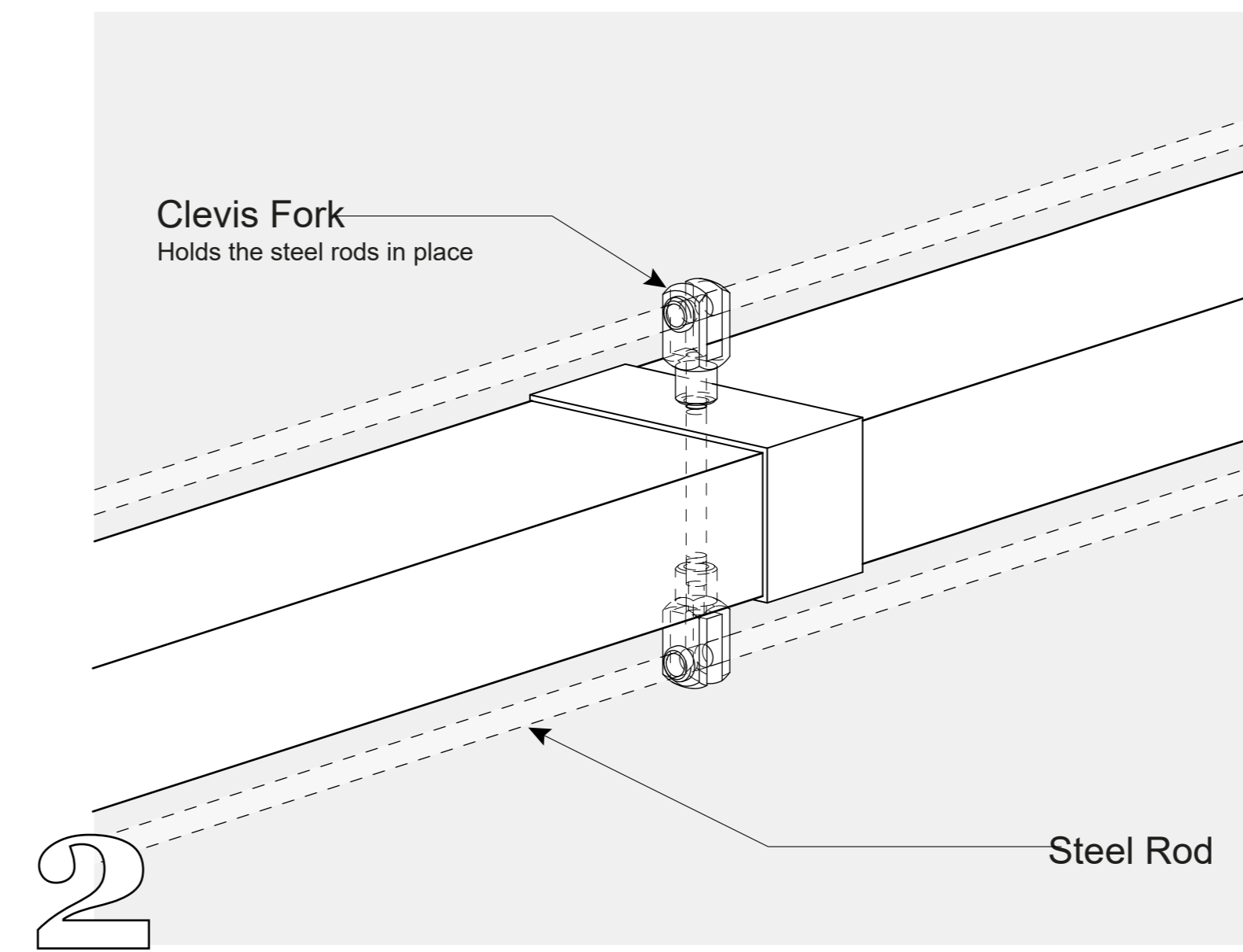
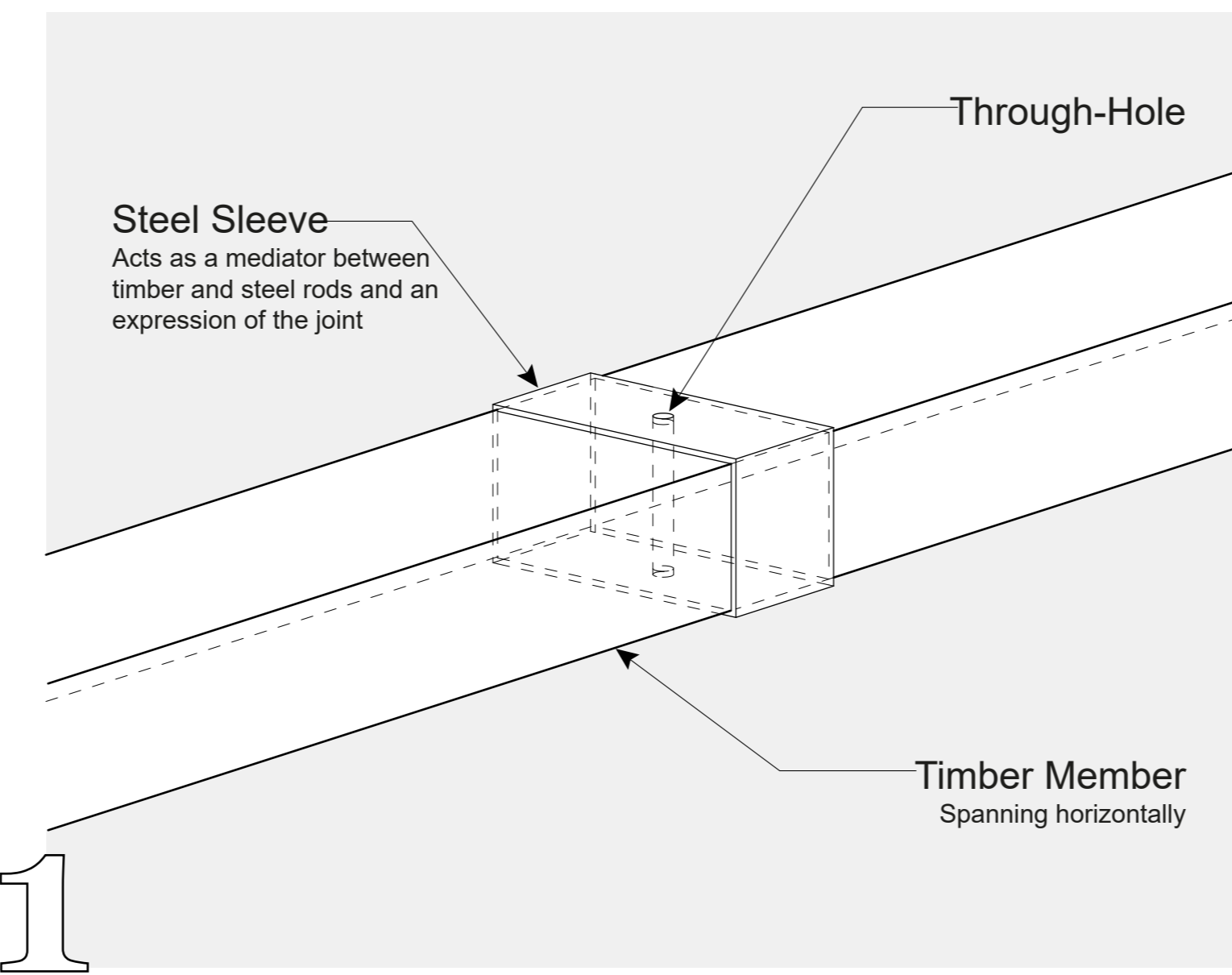
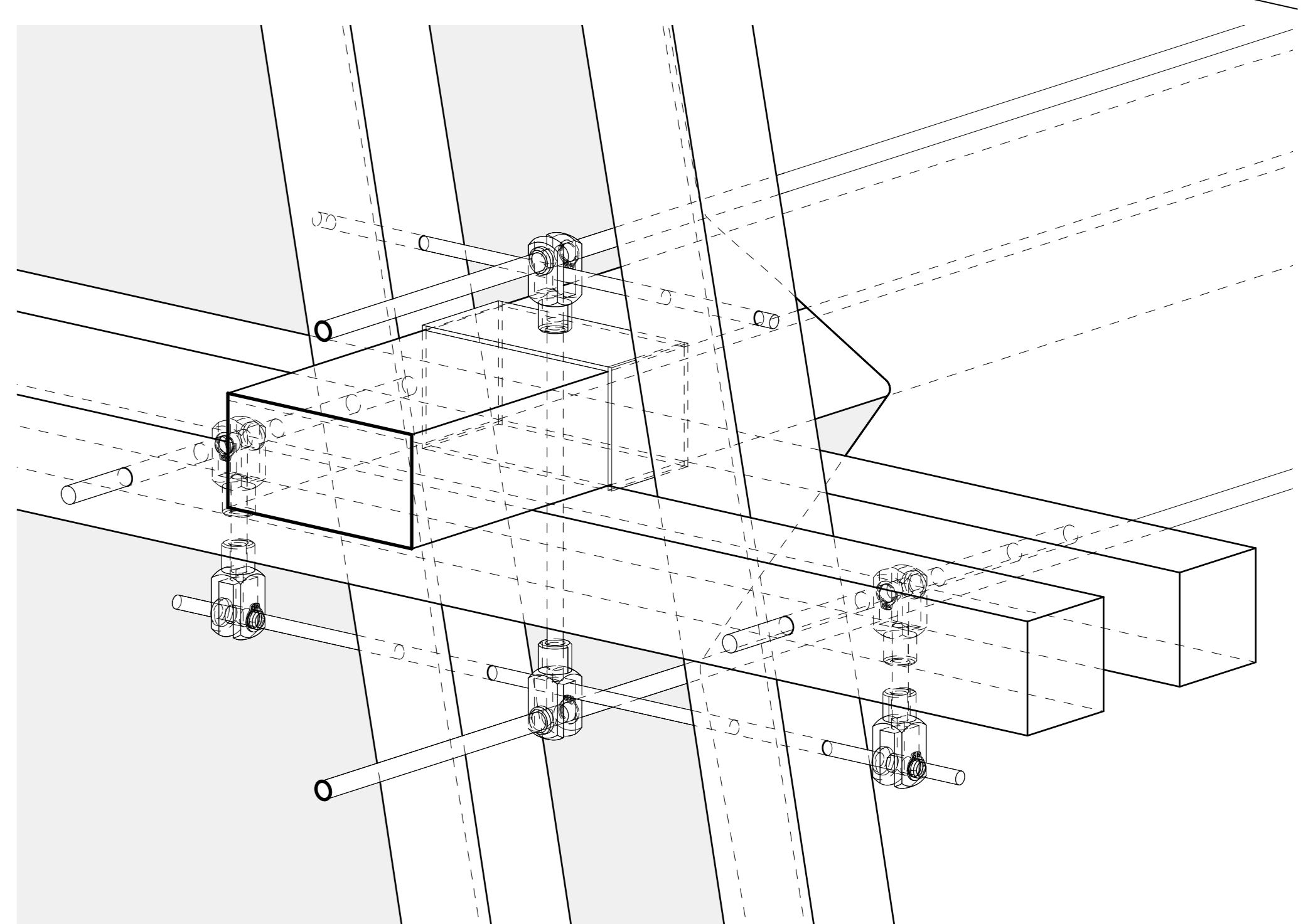
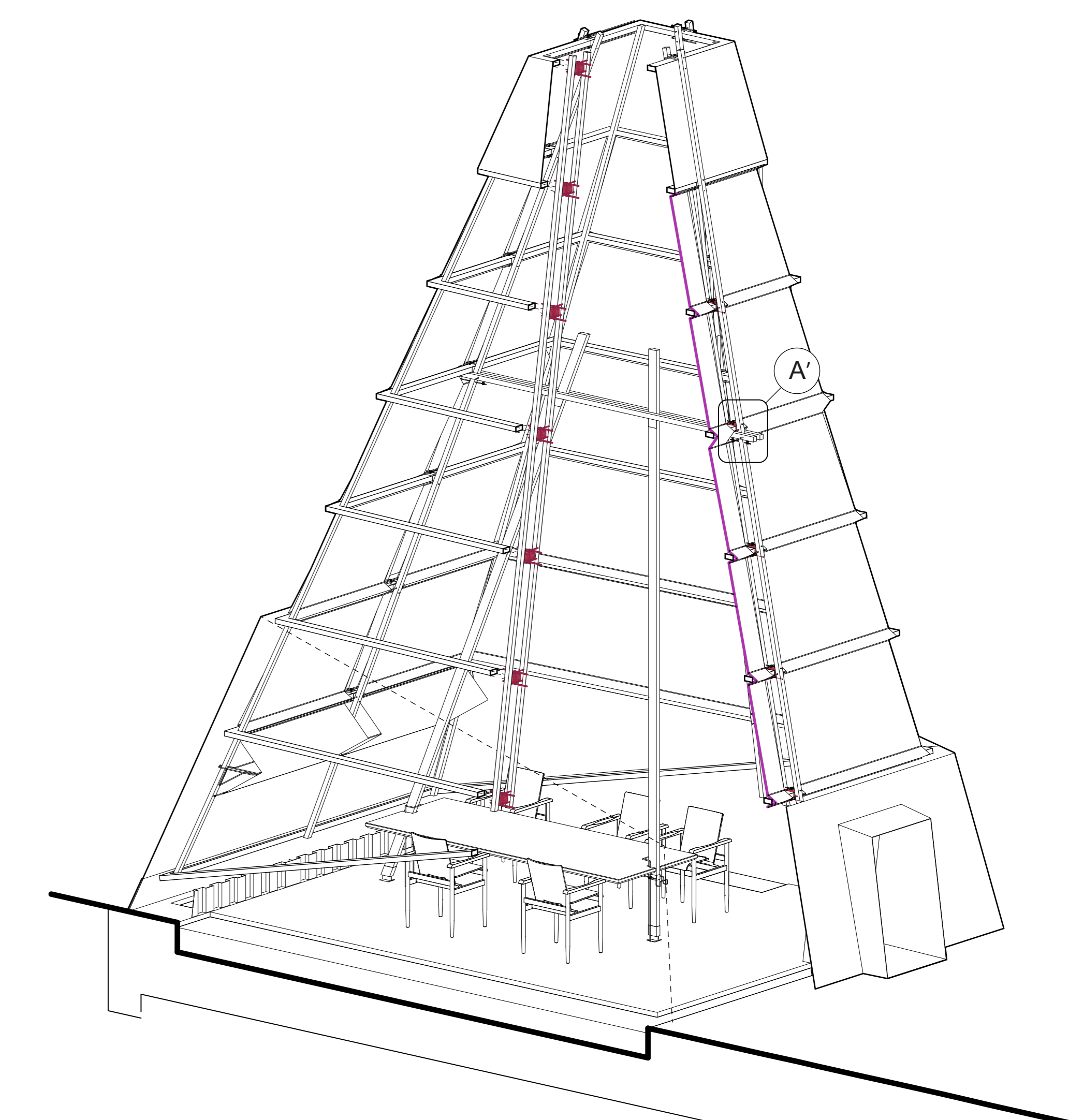


Detail A  
0 1 2 5CM



Assembly Diagram  
0 1 2 5 10CM



Detail A'  
0 1 2 5 10CM

Variation of the Detail A. Appears as a connection to a secondary structure component in a timber framework