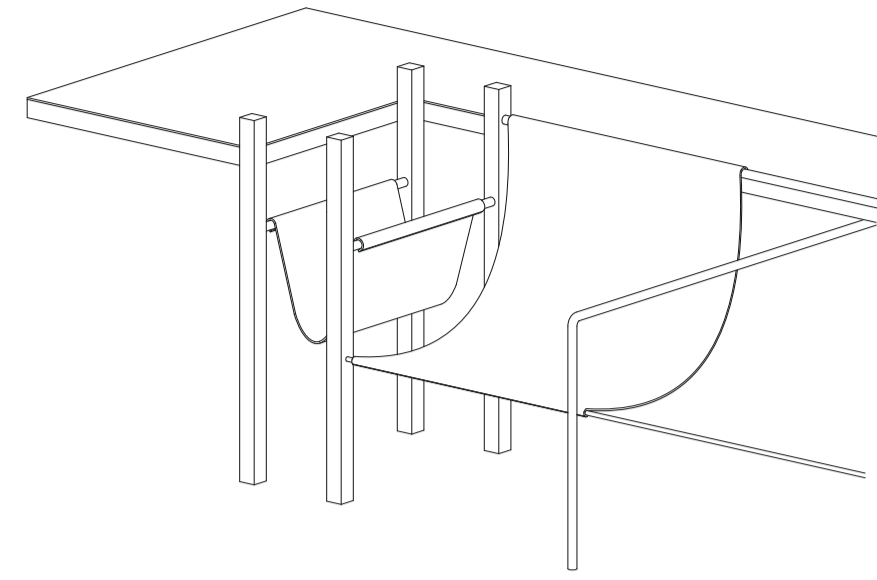
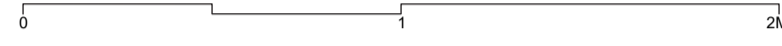
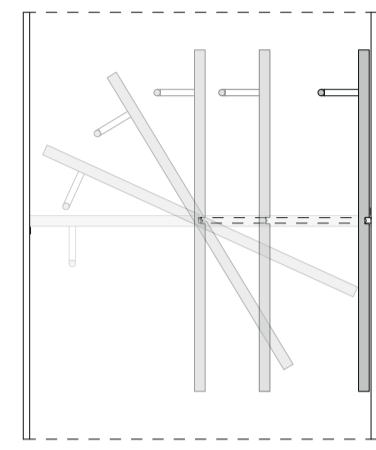


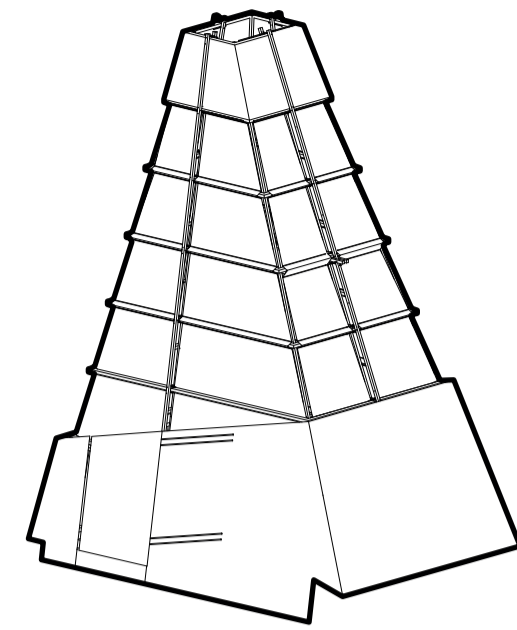
Staircase-Mezzanine
Elements



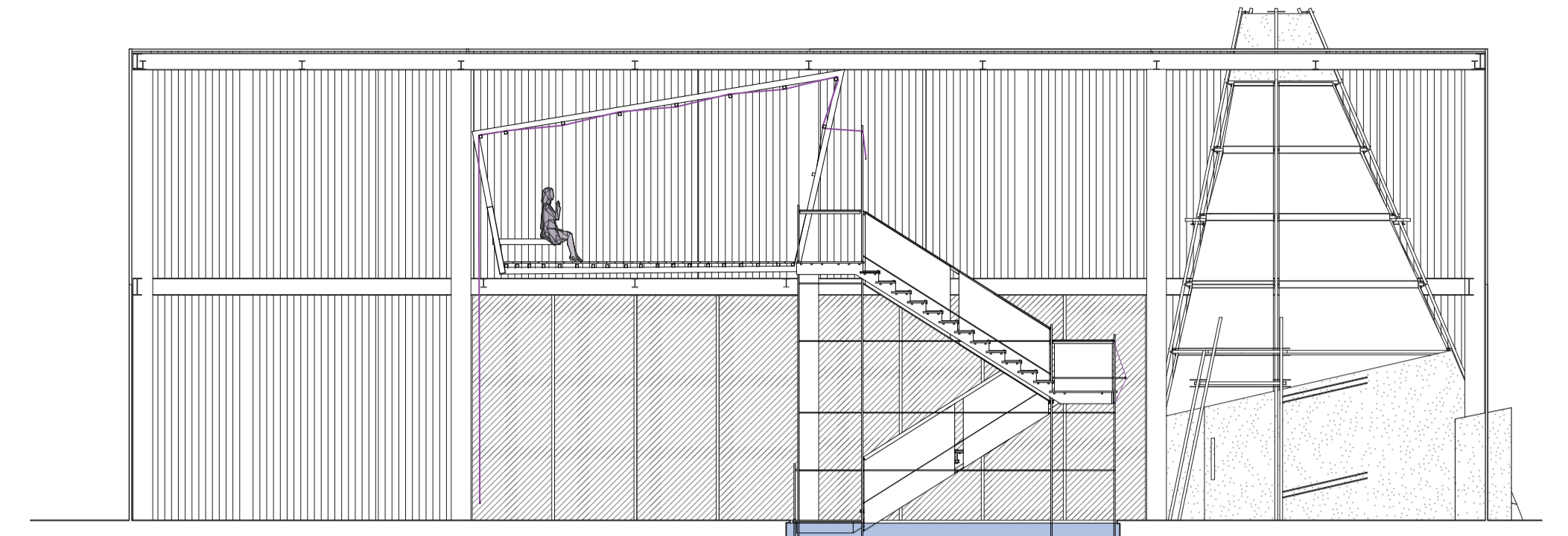
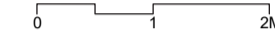
Reception Zone



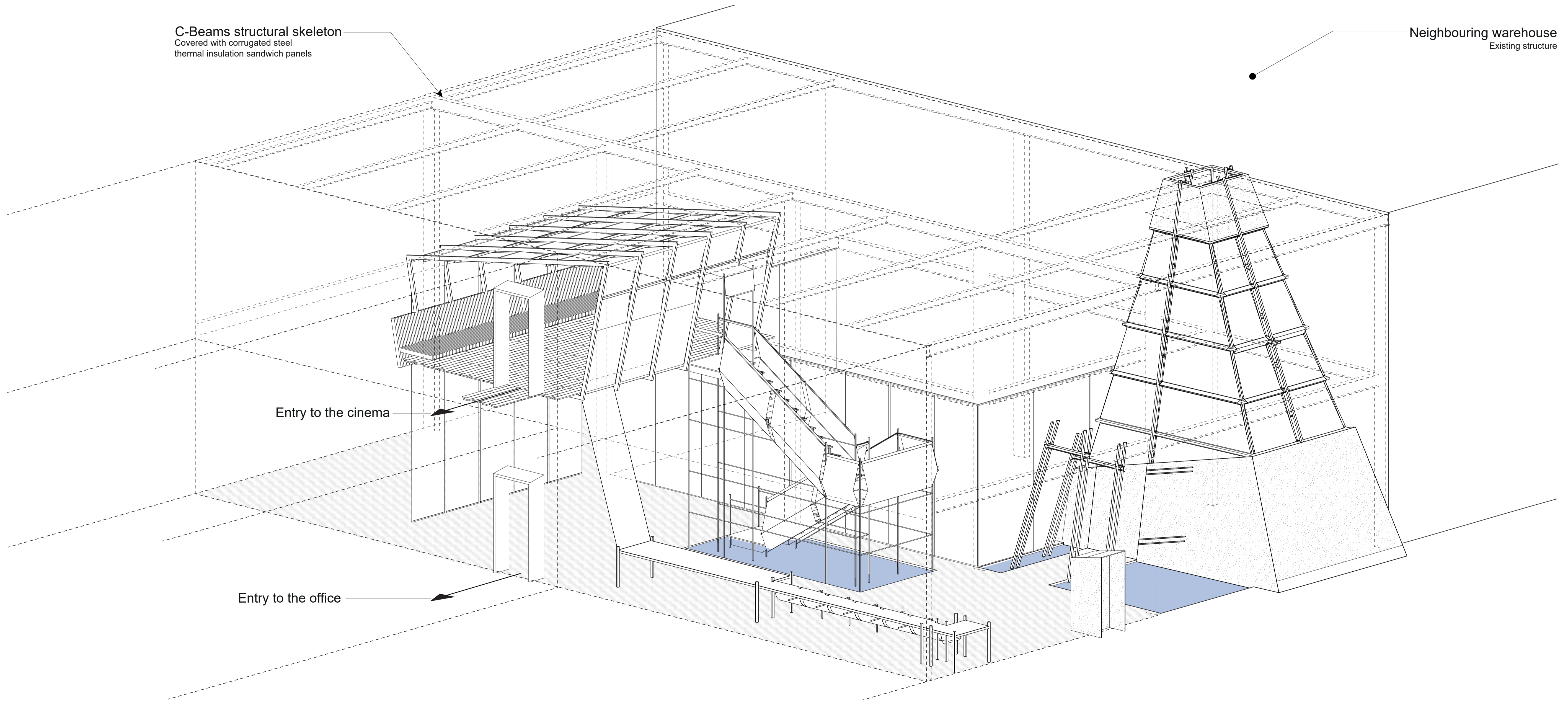
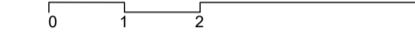
Entrance



Conference Room



Section A-A



C-Beams structural skeleton
Covered with corrugated steel
thermal insulation sandwich panels

Neighbouring warehouse
Existing structure

Entry to the cinema

Entry to the office

Axonometric View

