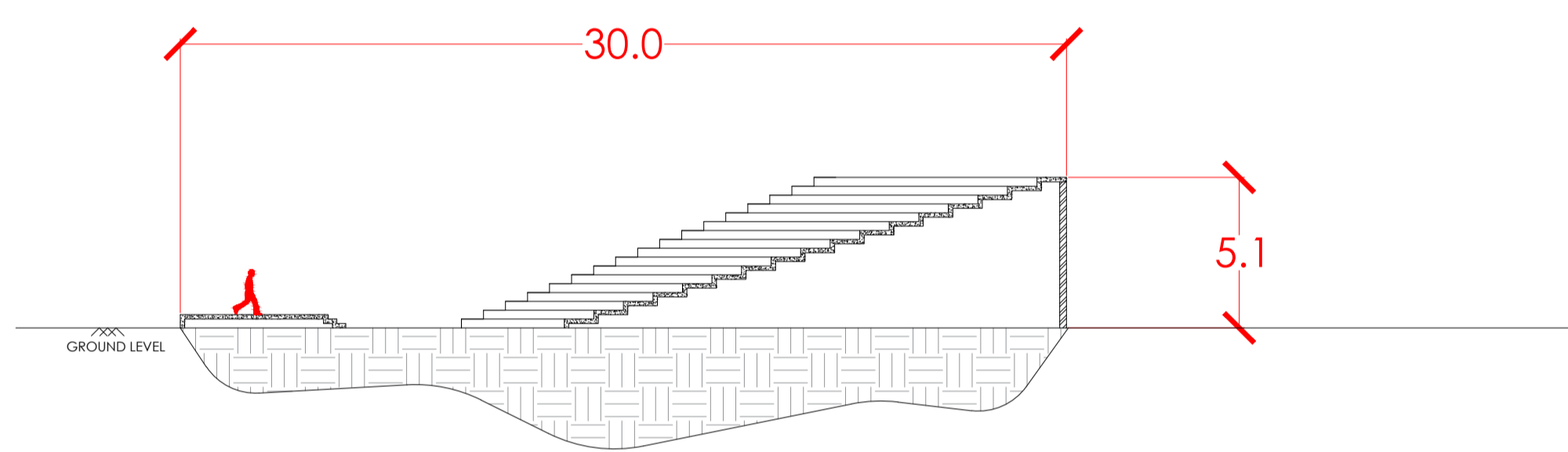
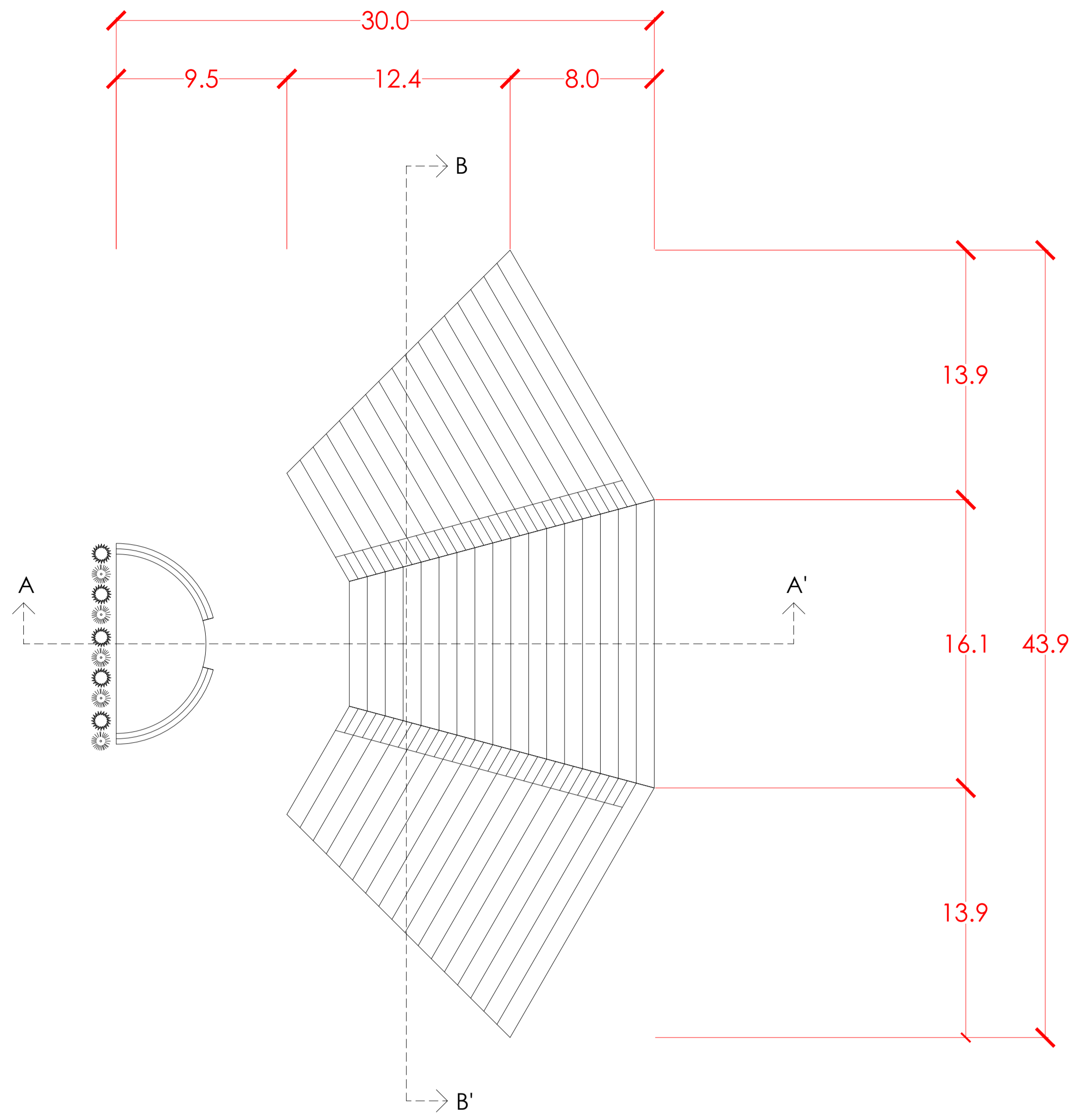
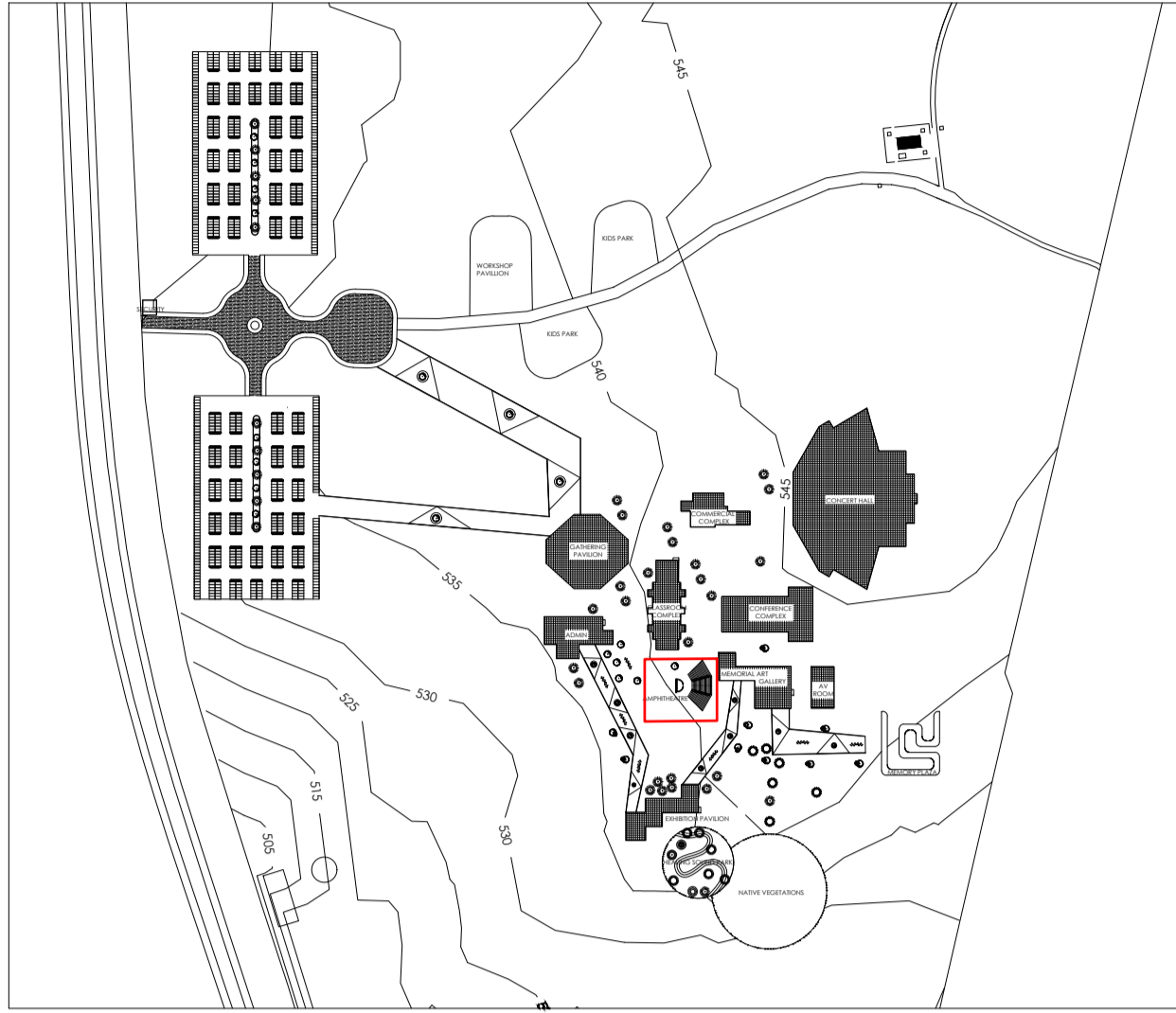
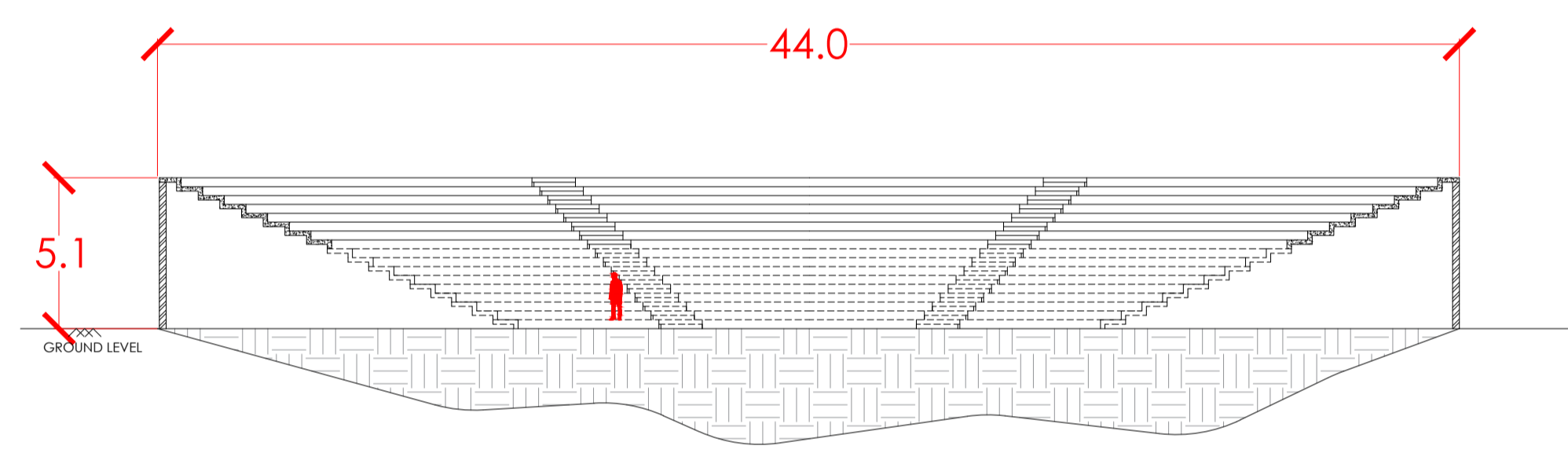


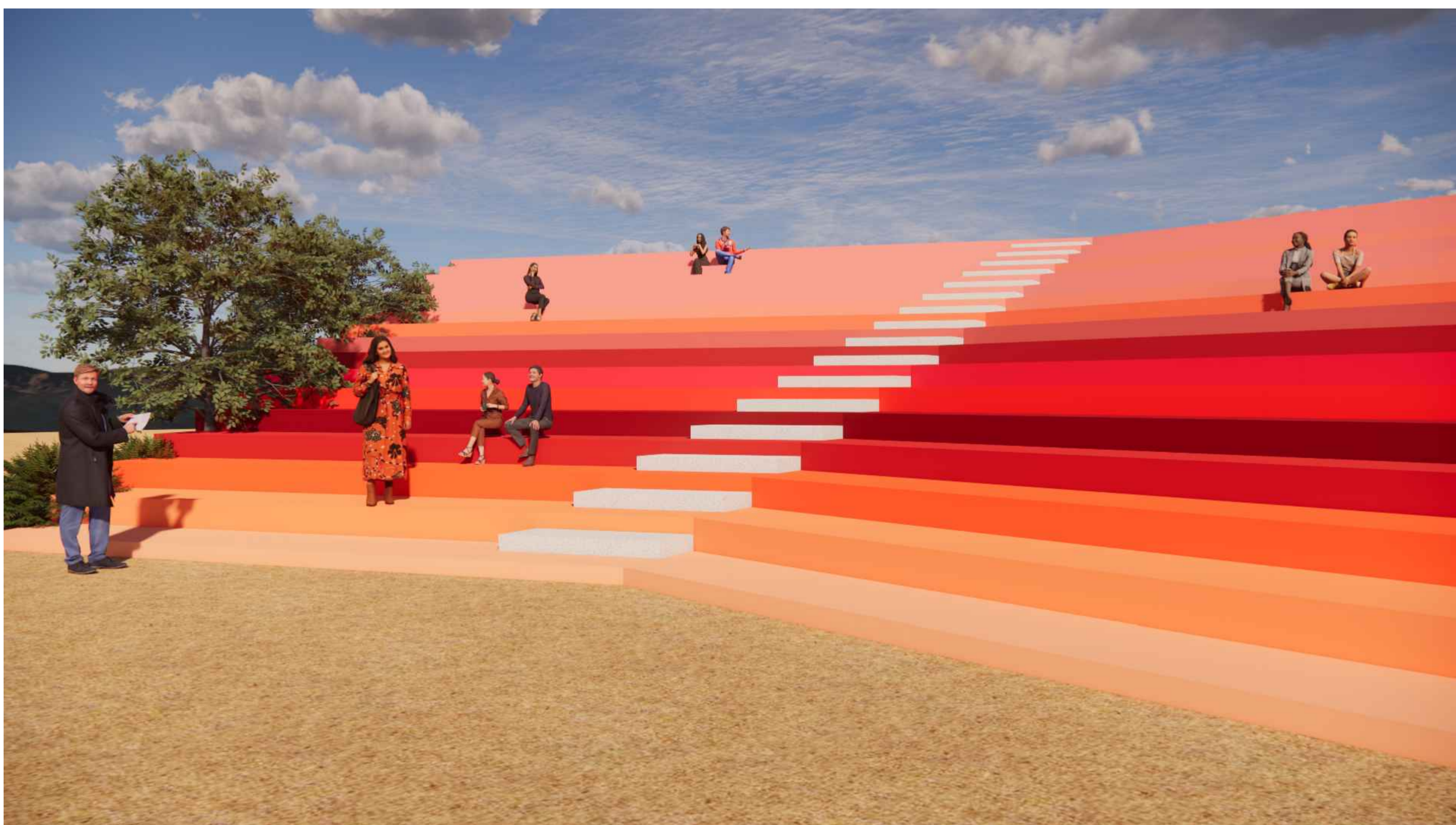
KEY PLAN



SECTION AA'



SECTION BB'



SEATING AREA VIEW 1



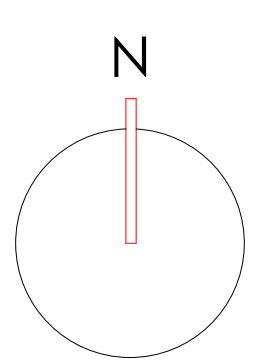
SEATING AREA VIEW 2



SEATING AREA VIEW 3



SEATING AREA VIEW 4



INTERPRETATION CENTRE-FLOOR PLAN (1:200)

NAME: SANJAYRAJ
RRN: 230101601032
YEAR III SEMESTER VI
ARCHITECTURAL DESIGN STUDIO
CRESCENT SCHOOL OF ARCHITECTURE