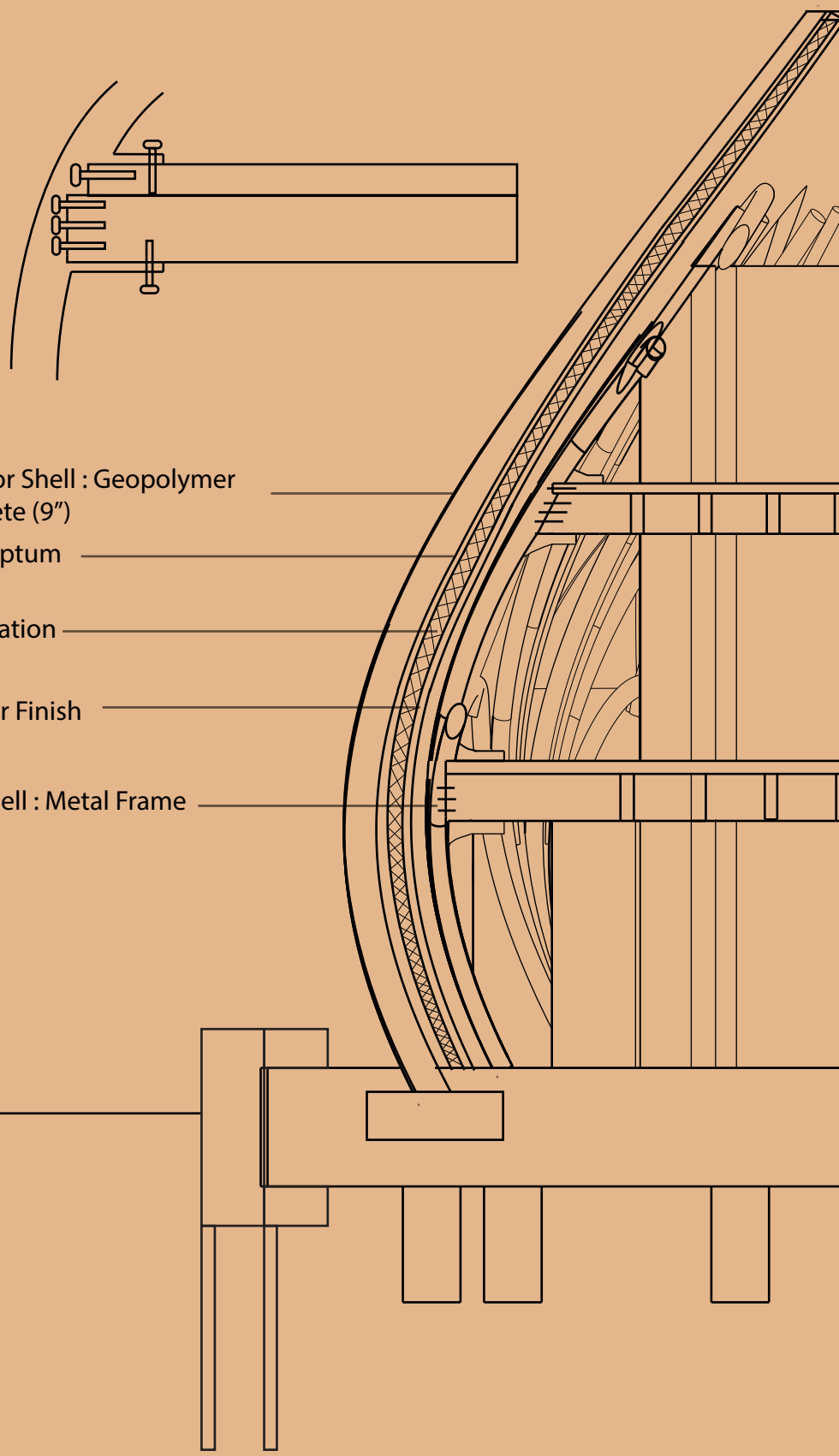


Structure details



Exterior Shell : Geopolymer concrete (9")

Septum

Spray Foam Insulation

Interior Finish

Interior Shell : Metal Frame

28'

14'

Geodesic Dome with metal compressive ring

Interior Frame (Interior Shell)

Exterior Shell

Main structure with compressive rings wrapping around each floor

Foundation

