

▽Roof floor
+30.00

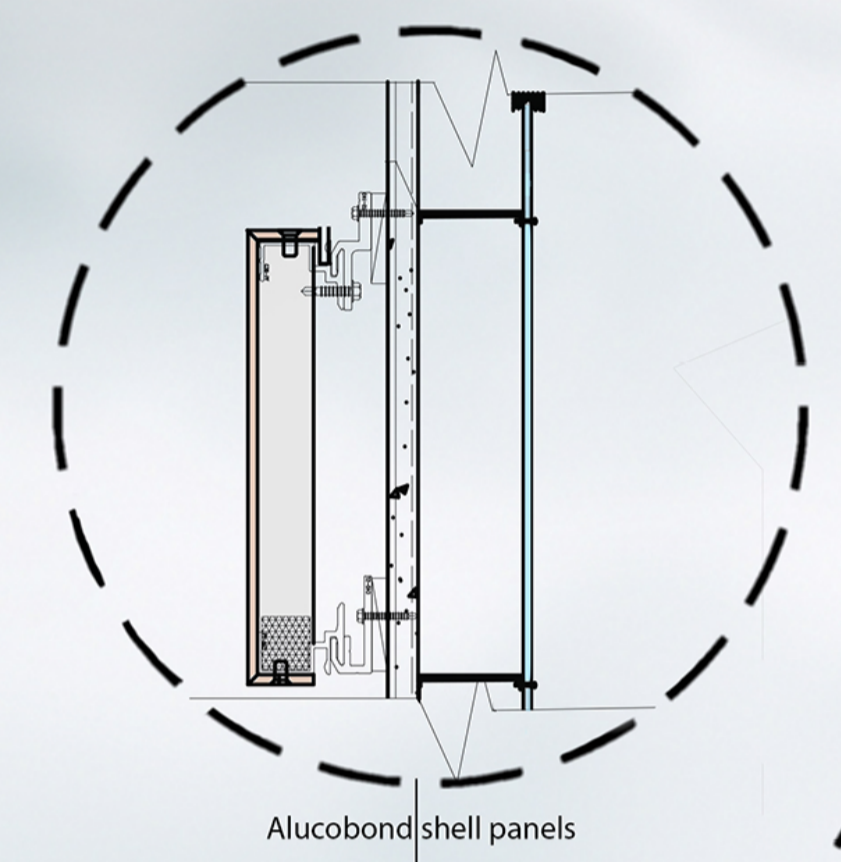
▽4th floor
+23.00

▽3rd floor
+11.00

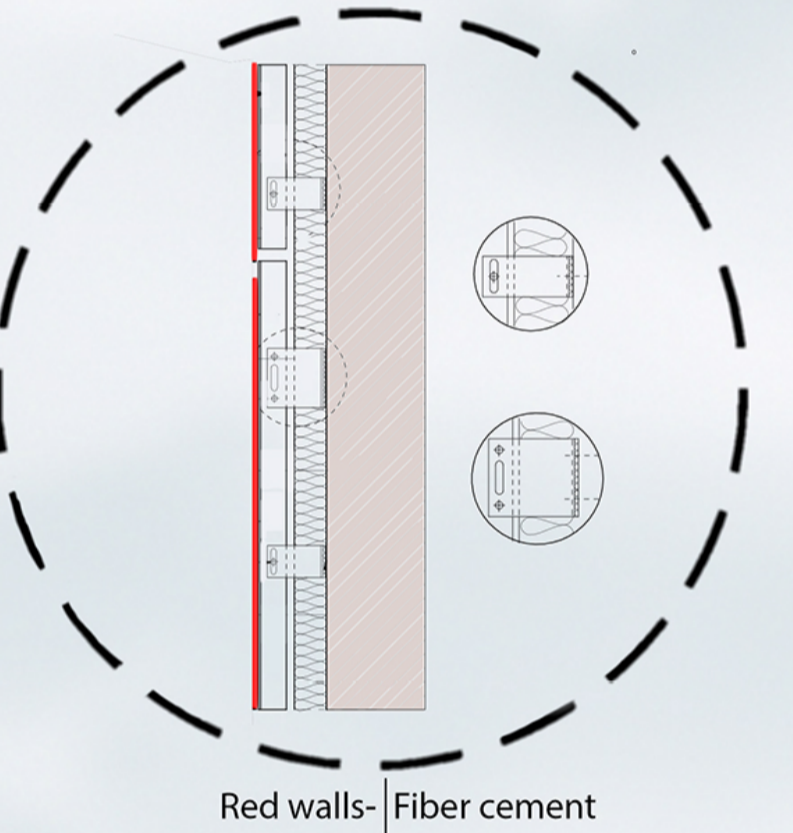
▽2nd floor
-10.00

▽1st floor
-15.00

▽ground



Alucobondshell panels



Red walls - Fiber cement

B-B 'Broken' section 1:125