



Katrina'S Design

WHITECHAPEL HANDICRAFT LIBRARY

TECHNICAL DRAWINGS

COVENTRY UNIVERSITY

INTERIOR ARCHITECTURE AND DESIGN

FINAL MAJOR PROJECT - MULTIFUNCTIONAL LIBRARY

30 APRIL 2021

DRAWING ISSUE SHEET

SHEET NO.	DRAWING NO.	DRAWING TITLE	SCALE	REVISION NO.	REVISION DATE
01	DS-01	DRAWING ISSUE SHEET	N.T.S.	01	19 APR 2021
02	DS-02	DRAWING ISSUE SHEET	N.T.S.	01	19 APR 2021
03	LP-01	LOCATION PLAN	1:1250 (A3)	01	30 NOV 2021
04	SP-01	SITE PLAN	1:500 (A3)	01	30 NOV 2021
05	FP-01	PROPOSED FLOOR PLAN LEGEND	N.T.S.	01	29 MAR 2021
06	FP-02	PROPOSED FLOOR PLAN - B1/F	1:300 (A3)	02	29 MAR 2021
07	FP-03	PROPOSED FLOOR PLAN - G/F	1:300 (A3)	04	29 MAR 2021
08	FP-04	PROPOSED FLOOR PLAN - 1/F	1:300 (A3)	04	29 MAR 2021
09	FP-05	PROPOSED FLOOR PLAN - 2/F	1:300 (A3)	03	29 MAR 2021
10	FP-06	PROPOSED FLOOR PLAN - 3/F	1:300 (A3)	02	29 MAR 2021
11	FP-07	PROPOSED FLOOR PLAN - ROOF	1:300 (A3)	02	29 MAR 2021
12	CP-01	REFLECTIVE CEILING AND LIGHTING PLAN - B1/F	1:300 (A3)	02	19 APR 2021
13	CP-02	REFLECTIVE CEILING AND LIGHTING PLAN - G/F	1:300 (A3)	02	19 APR 2021
14	CP-03	REFLECTIVE CEILING AND LIGHTING PLAN - 1/F	1:300 (A3)	02	19 APR 2021
15	CP-04	REFLECTIVE CEILING AND LIGHTING PLAN - 2/F	1:300 (A3)	02	19 APR 2021
16	CP-05	REFLECTIVE CEILING AND LIGHTING PLAN - 3/F	1:300 (A3)	02	19 APR 2021
17	CP-06	REFLECTIVE CEILING AND LIGHTING PLAN - ROOF	1:300 (A3)	02	19 APR 2021
18	EL-01	EAST ELEVATION	1:300 (A3)	04	29 MAR 2021
19	EL-02	WEST ELEVATION	1:300 (A3)	05	19 APR 2021
20	EL-03	INTERNAL ELEVATION	1:100 (A3)	05	19 APR 2021
21	SC-01	SECTION AA	1:300 (A3)	05	19 APR 2021
22	SC-02	SECTION BB	1:100 (A3)	02	29 MAR 2021
23	SC-03	SECTION CC	1:100 (A3)	02	29 MAR 2021
24	SC-04	SECTION DD	1:100 (A3)	02	29 MAR 2021
25	SC-05	SECTION EE	1:100 (A3)	02	29 MAR 2021
26	DE-01-01	MAIN STAIRCASE DETAILING	1:20 (A3)	01	13 MAR 2021
27	DE-01-02	MAIN STAIRCASE DETAILING	1:20 (A3)	01	13 MAR 2021
28	DE-01-03	MAIN STAIRCASE DETAILING	AS SHOWN (A3)	01	13 MAR 2021



GENERAL NOTES

- ALL DIMENSIONS ARE IN MILLIMETERS UNLESS OTHERWISE SPECIFIED.
- DO NOT SCALE THE DRAWINGS.
- ALL DIMENSIONS SHALL BE VERIFIED ON SITE WITH CONTRACTORS BEFORE PROCEEDING WORK.
- ALL DESIGNS ARE PROPERTY OF SO PAK LING. NO REPRODUCTION IS PERMITTED WITHOUT CONSENT.

SPECIFIC NOTES

REVISION

NO.	DATE	ISSUE

PROJECT TITLE

WHITECHAPEL HANDICRAFT LIBRARY

PROJECT NO.

FMP-01

DRAWN BY

SO PAK LING

SCALE

N.T.S.

DRAWING TITLE

DRAWING ISSUE SHEET

DATE

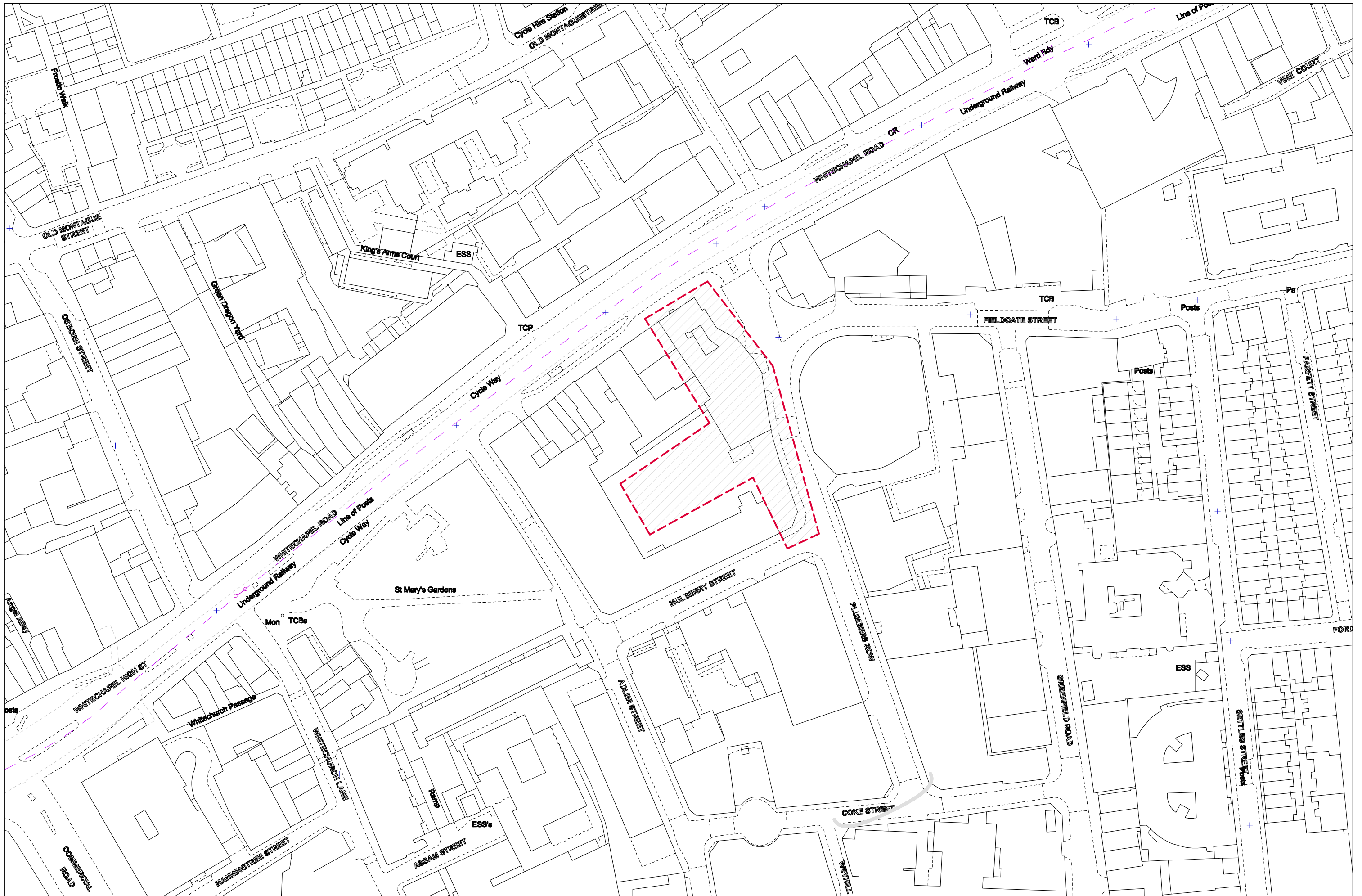
19 APR 2021

REVISION NO.

01

DRAWING NO.

DS-01



GENERAL NOTES

1. ALL DIMENSIONS ARE IN MILLIMETERS UNLESS OTHERWISE SPECIFIED.
2. DO NOT SCALE THE DRAWINGS.
3. ALL DIMENSIONS SHALL BE VERIFIED ON SITE WITH CONTRACTORS BEFORE PROCEEDING WORK.
4. ALL DESIGNS ARE PROPERTY OF SO PAK LING. NO REPRODUCTION IS PERMITTED WITHOUT CONSENT.

SPECIFIC NOTES

REVISION

NO.	DATE	ISSUE

PROJECT TITLE

WHITECHAPEL HANDICRAFT LIBRARY

DRAWING TITLE

LOCATION PLAN

PROJECT NO.

FMP-01

DATE

30 NOV 2021

DRAWN BY

SO PAK LING

REVISION NO.

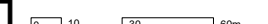
01

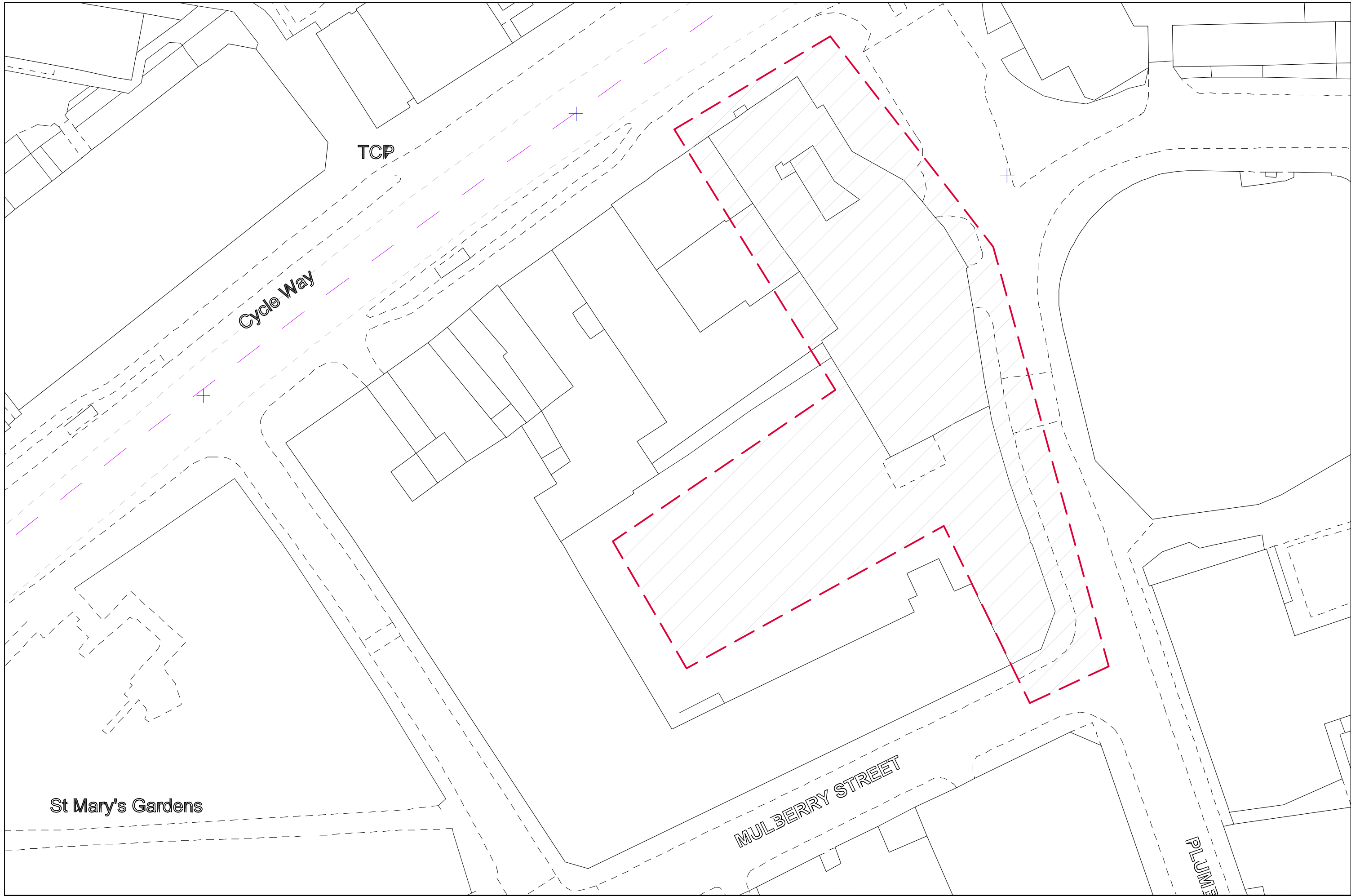
SCALE

1:1250 (A3)

DRAWING NO.

LP-01





GENERAL NOTES

1. ALL DIMENSIONS ARE IN MILLIMETERS UNLESS OTHERWISE SPECIFIED.
2. DO NOT SCALE THE DRAWINGS.
3. ALL DIMENSIONS SHALL BE VERIFIED ON SITE WITH CONTRACTORS BEFORE PROCEEDING WORK.
4. ALL DESIGNS ARE PROPERTY OF SO PAK LING. NO REPRODUCTION IS PERMITTED WITHOUT CONSENT.

SPECIFIC NOTES

REVISION		
NO.	DATE	ISSUE

PROJECT TITLE
WHITECHAPEL HANDICRAFT LIBRARY

DRAWING TITLE
SITE PLAN

PROJECT NO.
FMP-01

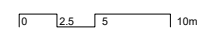
DATE
30 NOV 2021

DRAWN BY
SO PAK LING

REVISION NO.
01

SCALE
1:500 (A3)

DRAWING NO.
SP-01



PROPOSED FLOOR PLAN LEGEND

B1/F FLOOR LEGEND

SYMBOL	DESCRIPTION	REMARKS
①	DISPLAY AREA	NO PUBLIC ACCESS
②	METAL WORKSPACE	MAX. CAPACITY: 4 PEOPLE

G/F FLOOR LEGEND

SYMBOL	DESCRIPTION	REMARKS
③	OFFICE	STAFF ACCESS ONLY MAX. CAPACITY: 12 PEOPLE
④	RECEPTION	/
⑤	EXHIBITION ROOM	PRIOR REGISTRATION REQUIRED MAX. CAPACITY: 8 PEOPLE
⑥	DRIVEWAY TO CAR PARK	LOCATED OUT OF SITE BOUNDARY & BELONGED TO OTHER BUILDINGS
⑦	DISCUSSION AREA	MAX. CAPACITY: 10 PEOPLE
⑧	UNISEX RESTROOM	/
⑨	MATERIAL LIBRARY	/
⑩	SERVICE COUNTER	/
⑪	CAFÉ	MAX. CAPACITY: 6 PEOPLE
⑫	OUTDOOR GARDEN	/
⑬	EVENT SPACE	/
⑭	WOODWORK WORKSPACE	APPOINTMENT REQUIRED MAX. CAPACITY: 10 PEOPLE
⑮	WOODWORK WORKSHOP	APPOINTMENT REQUIRED MAX. CAPACITY: 5 PEOPLE
⑯	JEWELLERY WORKSPACE	APPOINTMENT REQUIRED MAX. CAPACITY: 2 PEOPLE
⑰	METALWORK WORKSHOP	APPOINTMENT REQUIRED MAX. CAPACITY: 2 PEOPLE
⑱	MEDICAL ROOM	MAX. CAPACITY: 3 PEOPLE
⑲	UNISEX RESTROOM	/
⑳	POST OFFICE	MAX. CAPACITY: 5 PEOPLE
㉑	STORE ROOM	/
㉒	STORE ROOM	/
㉓	MATERIAL SHOP	MAX. CAPACITY: 5 PEOPLE
㉔	OFFICE	STAFF ACCESS ONLY MAX. CAPACITY: 5 PEOPLE
㉕	COURTYARD	/
㉖	CRAFTS SHOP	MAX. CAPACITY: 5 PEOPLE
㉗	JEWELLERY WORKSPACE	MAX. CAPACITY: 2 PEOPLE
㉘	JEWELLERY WORKSPACE	MAX. CAPACITY: 2 PEOPLE
㉙	METALWORK / JEWELLERY WORKSHOP	MAX. CAPACITY: 5 PEOPLE

1/F FLOOR LEGEND

SYMBOL	DESCRIPTION	REMARKS
⑳	RESEARCH CENTRE	STAFF ACCESS ONLY MAX. CAPACITY: 8 PEOPLE
㉑	STAFF PANTRY	MAX. CAPACITY: 3 PEOPLE
㉒	UNISEX RESTROOM	/
㉓	REST AREA	MAX. CAPACITY: 3 PEOPLE
㉔	CONFERENCE ROOM (1)	APPOINTMENT REQUIRED MAX. CAPACITY: 8 PEOPLE
㉕	CONFERENCE ROOM (2)	APPOINTMENT REQUIRED MAX. CAPACITY: 4 PEOPLE
㉖	PRIVATE STUDYING ROOM	APPOINTMENT REQUIRED MAX. CAPACITY: 6 PEOPLE
㉗	CAFÉ ROOF GARDEN	MAX. CAPACITY: 12 PEOPLE
㉘	READING AREA & PUBLIC STUDYING AREA	/
㉙	INFORMATION KIOSK	/
㉚	JEWELLERY WORKSHOP	APPOINTMENT REQUIRED MAX. CAPACITY: 3 PEOPLE
㉛	GLASSWORK WORKSHOP	APPOINTMENT REQUIRED MAX. CAPACITY: 4 PEOPLE
㉜	JEWELLERY WORKSHOP	APPOINTMENT REQUIRED MAX. CAPACITY: 2 PEOPLE
㉝	GLASSWORK WORKSHOP	APPOINTMENT REQUIRED MAX. CAPACITY: 6 PEOPLE
㉞	SUPPORTING CENTRE	MAX. CAPACITY: 8 PEOPLE
㉟	STORE ROOM	/
㊱	CERAMICS WORKSHOP	APPOINTMENT REQUIRED MAX. CAPACITY: 4 PEOPLE
㊲	CERAMICS WORKSHOP	APPOINTMENT REQUIRED MAX. CAPACITY: 5 PEOPLE
㊳	REST AREA	MAX. CAPACITY: 5 PEOPLE

2/F FLOOR LEGEND

SYMBOL	DESCRIPTION	REMARKS
㊴	IT LAB	APPOINTMENT REQUIRED MAX. CAPACITY: 7 PEOPLE
㊵	STORE ROOM	/
㊶	GLASSWORK WORKSPACE	APPOINTMENT REQUIRED MAX. CAPACITY: 2 PEOPLE
㊷	GLASSWORK WORKSPACE	APPOINTMENT REQUIRED MAX. CAPACITY: 5 PEOPLE
㊸	CERAMICS WORKSPACE	APPOINTMENT REQUIRED MAX. CAPACITY: 6 PEOPLE
㊹	STORE ROOM	/
㊺	CERAMICS WORKSPACE	APPOINTMENT REQUIRED MAX. CAPACITY: 5 PEOPLE
㊻	UNISEX RESTROOM	/

3/F FLOOR LEGEND

SYMBOL	DESCRIPTION	REMARKS
㊼	STORE ROOM	/
㊽	STORE ROOM	/

MATERIAL LEGEND

FLOORING

	POLISHED CONCRETE SCREED FLOORING
	CARPET SHEET
	PORCELAIN TILE
	CERAMIC TILE
	ENGINEERED WOOD
	PORCELAIN STONEWARE (EXTERIOR USE)
	ARTIFICIAL GRASS
	TRANSLUCENT GLASS
	WINDOW

FURNITURE

	RECLAIMED WOOD
--	----------------

PARTITION

	NEW STRUCTURAL CONCRETE WALL UP TO CEILING W/ SOUND-PROOF MATERIAL (INTERIOR)
	NEW FULL-HEIGHT VOILE
	NEW STRUCTURAL CONCRETE WALL (EXTERIOR)
	NEW STRUCTURAL GLASS WALL (EXTERIOR)
	NEW STRUCTURAL 2500MM FENCE (EXTERIOR)
	NEW BLACK STEEL BALUSTRADE W/ SPRAY PAINT FINISH
	EXISTING STEEL COLUMN BEING RENOVATED W/ SPRAY PAINT FINISH
	NEW BLACK STEEL COLUMN W/ SPRAY PAINT FINISH



GENERAL NOTES

- ALL DIMENSIONS ARE IN MILLIMETERS UNLESS OTHERWISE SPECIFIED.
- DO NOT SCALE THE DRAWINGS.
- ALL DIMENSIONS SHALL BE VERIFIED ON SITE WITH CONTRACTORS BEFORE PROCEEDING WORK.
- ALL DESIGNS ARE PROPERTY OF SO PAK LING. NO REPRODUCTION IS PERMITTED WITHOUT CONSENT.

SPECIFIC NOTES

REVISION

NO.	DATE	ISSUE

PROJECT TITLE

WHITECHAPEL HANDICRAFT LIBRARY

PROJECT NO.

FMP-01

DRAWN BY

SO PAK LING

SCALE

N.T.S.

DRAWING TITLE

PROPOSED FLOOR PLAN LEGEND

DATE

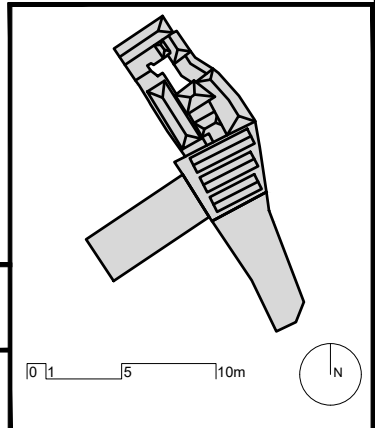
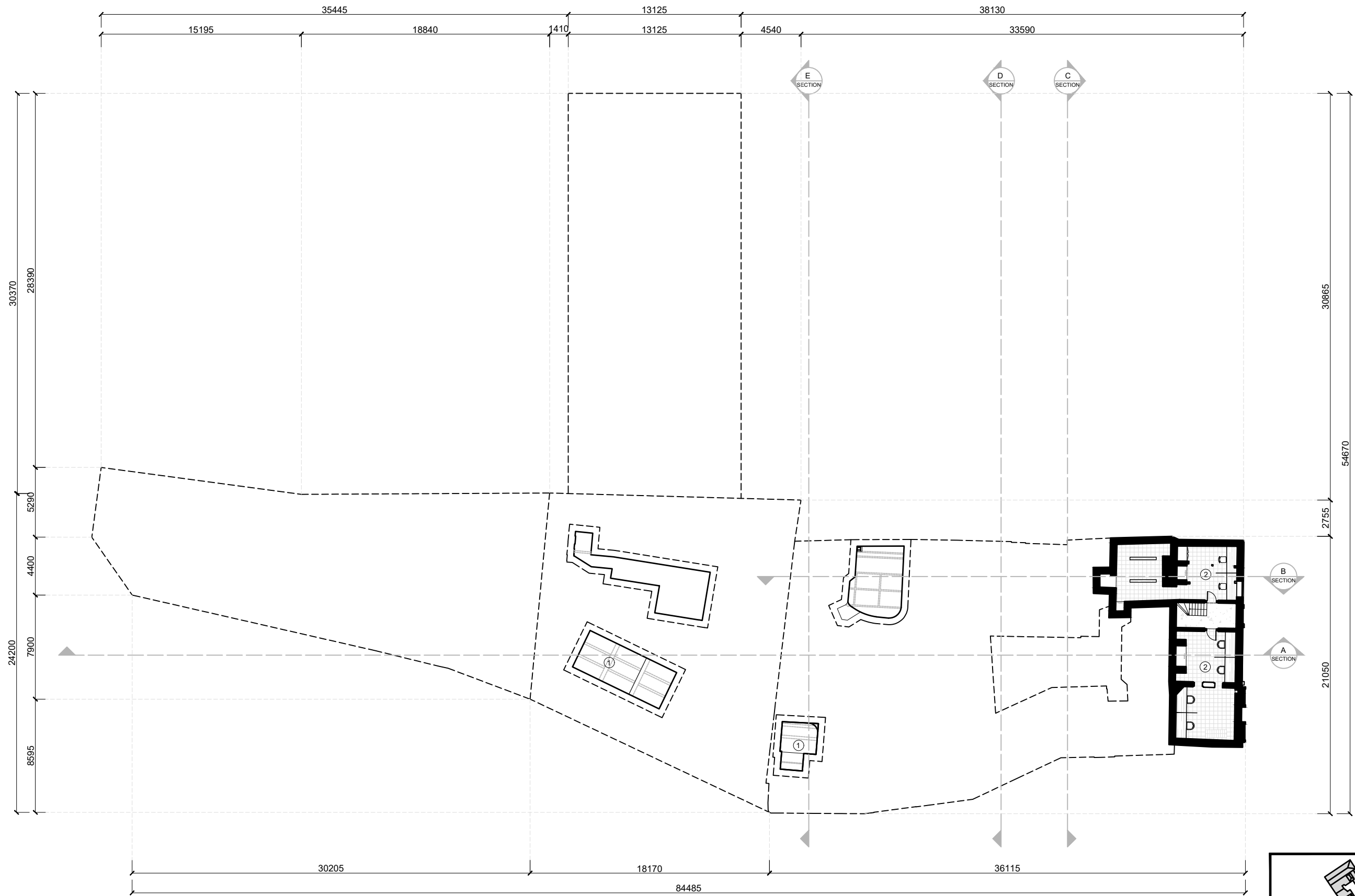
29 MAR 2021

REVISION NO.

01

DRAWING NO.

FP-01



GENERAL NOTES

1. ALL DIMENSIONS ARE IN MILLIMETERS UNLESS OTHERWISE SPECIFIED. DO NOT SCALE THE DRAWINGS.
2. ALL DIMENSIONS SHALL BE VERIFIED ON SITE WITH CONTRACTORS BEFORE PROCEEDING WORK.
3. ALL DESIGNS ARE PROPERTY OF SO PAK LING. NO REPRODUCTION IS PERMITTED WITHOUT CONSENT.

SPECIFIC NOTES

REVISION

NO.	DATE	ISSUE
01	30 NOV 2020	PROPOSED DESIGN LAYOUT
02	29 MAR 2021	REVISED LAYOUT

PROJECT TITLE

WHITECHAPEL HANDICRAFT LIBRARY

DRAWING TITLE

PROPOSED FLOOR PLAN - B1/F

PROJECT NO.

FMP-01

DATE

29 MAR 2021

DRAWN BY

SO PAK LING

REVISION NO.

02

SCALE

1:300 (A3)

DRAWING NO.

FP-02





KS
Design

GENERAL NOTES

1. ALL DIMENSIONS ARE IN MILLIMETERS UNLESS OTHERWISE SPECIFIED.
2. DO NOT SCALE THE DRAWINGS.
3. ALL DIMENSIONS SHALL BE VERIFIED ON SITE WITH CONTRACTORS BEFORE PROCEEDING WORK.
4. ALL DESIGNS ARE PROPERTY OF SO PAK LING. NO REPRODUCTION IS PERMITTED WITHOUT CONSENT.

SPECIFIC NOTES

REVISION

NO.	DATE	ISSUE
01	30 NOV 2020	PROPOSED DESIGN LAYOUT
02	10 FEB 2021	UPDATED LAYOUT AS PER ADVICES
03	03 MAR 2021	REVISED LAYOUT
04	29 MAR 2021	REVISED LAYOUT

PROJECT TITLE

WHITECHAPEL HANDICRAFT LIBRARY

DRAWING TITLE

PROPOSED FLOOR PLAN - G/F

PROJECT NO.

FMP-01

DATE

29 MAR 2021

DRAWN BY

SO PAK LING

REVISION NO.

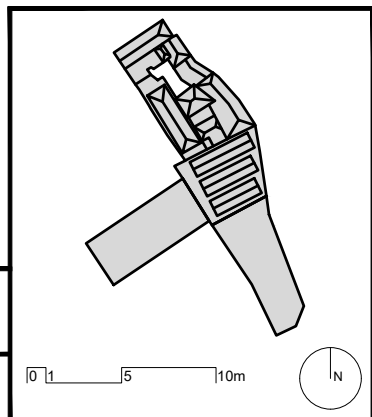
04

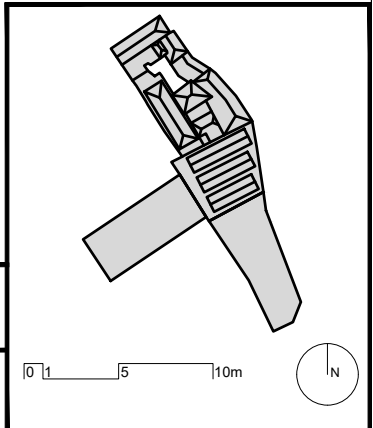
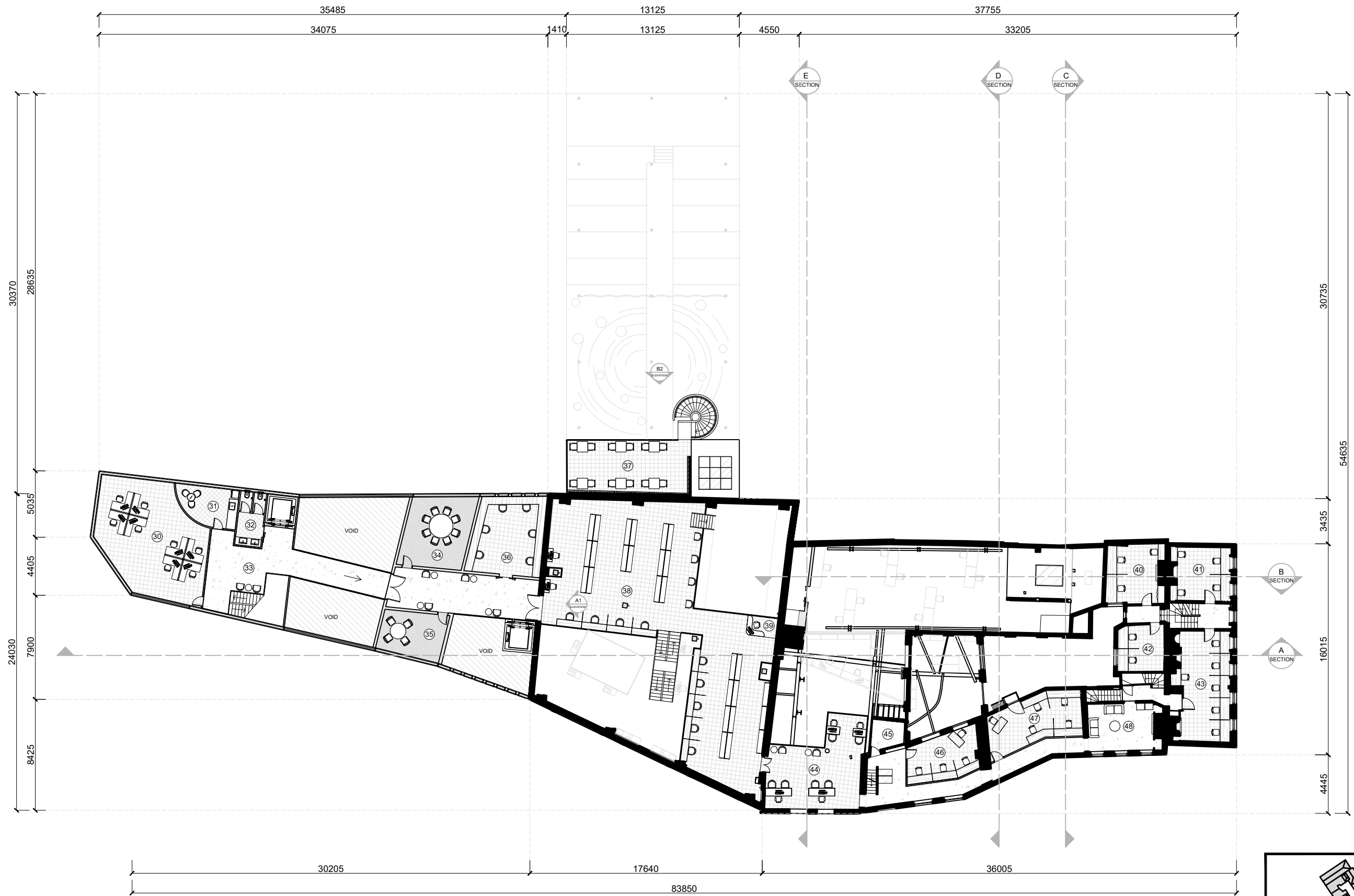
SCALE

1:300 (A3)

DRAWING NO.

FP-03





GENERAL NOTES

1. ALL DIMENSIONS ARE IN MILLIMETERS UNLESS OTHERWISE SPECIFIED.
2. DO NOT SCALE THE DRAWINGS.
3. ALL DIMENSIONS SHALL BE VERIFIED ON SITE WITH CONTRACTORS BEFORE PROCEEDING WORK.
4. ALL DESIGNS ARE PROPERTY OF SO PAK LING. NO REPRODUCTION IS PERMITTED WITHOUT CONSENT.

SPECIFIC NOTES

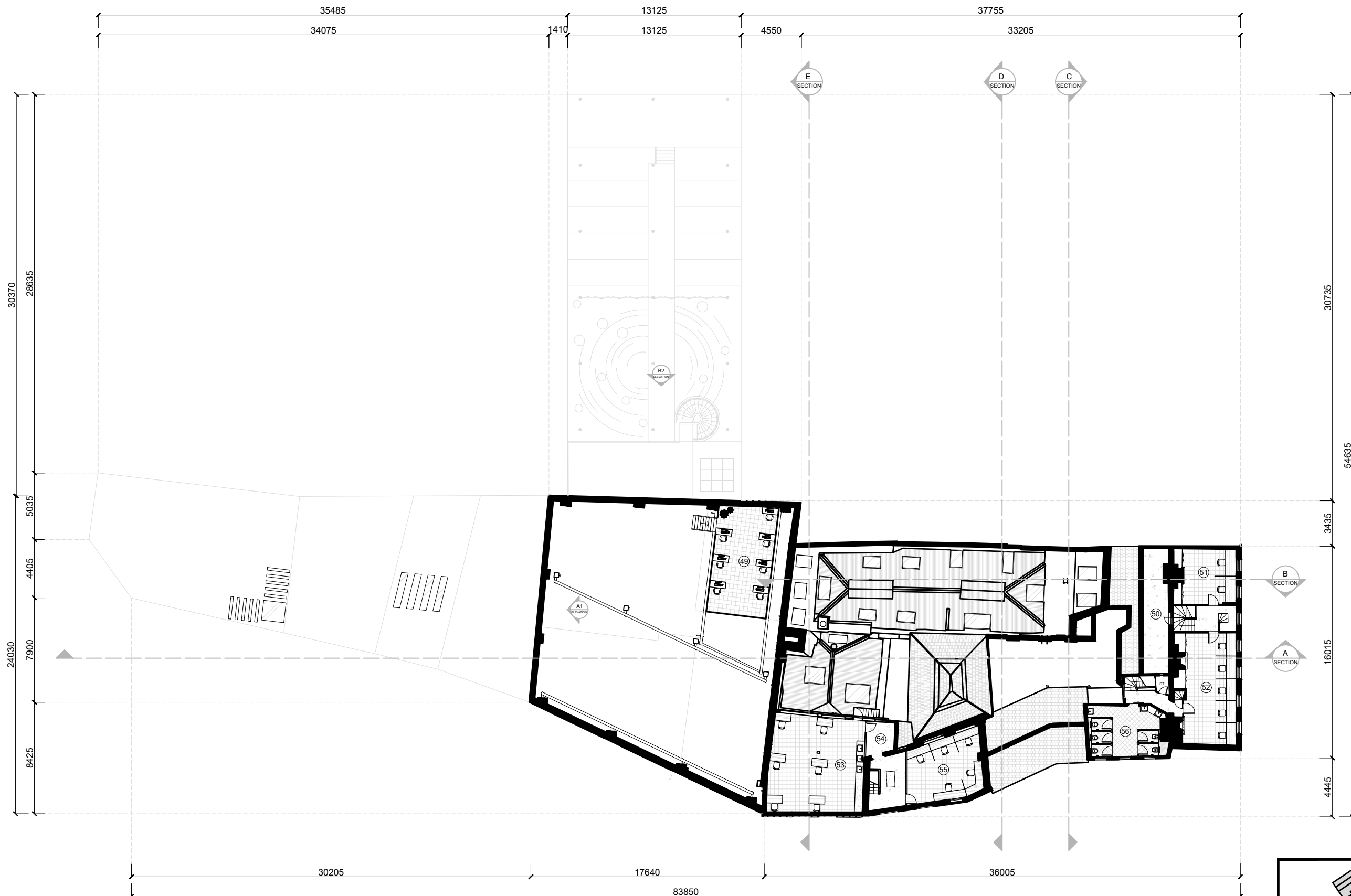
REVISION		
NO.	DATE	ISSUE
01	30 NOV 2020	PROPOSED DESIGN LAYOUT
02	10 FEB 2021	UPDATED LAYOUT AS PER ADVICES
03	03 MAR 2021	REVISED LAYOUT
04	29 MAR 2021	REVISED LAYOUT

PROJECT TITLE
WHITECHAPEL HANDICRAFT LIBRARY

DRAWING TITLE
PROPOSED FLOOR PLAN - 1/F

PROJECT NO. FMP-01	DRAWN BY SO PAK LING	SCALE 1:300 (A3)
DATE 29 MAR 2021	REVISION NO. 04	DRAWING NO. FP-04





GENERAL NOTES

1. ALL DIMENSIONS ARE IN MILLIMETERS UNLESS OTHERWISE SPECIFIED.
2. DO NOT SCALE THE DRAWINGS.
3. ALL DIMENSIONS SHALL BE VERIFIED ON SITE WITH CONTRACTORS BEFORE PROCEEDING WORK.
4. ALL DESIGNS ARE PROPERTY OF SO PAK LING. NO REPRODUCTION IS PERMITTED WITHOUT CONSENT.

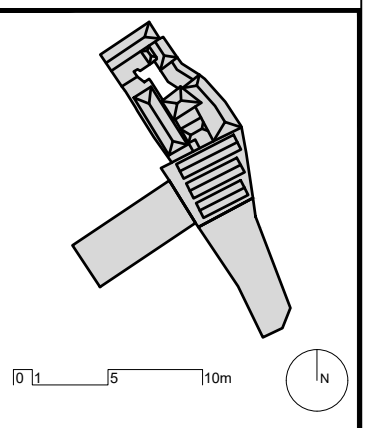
SPECIFIC NOTES

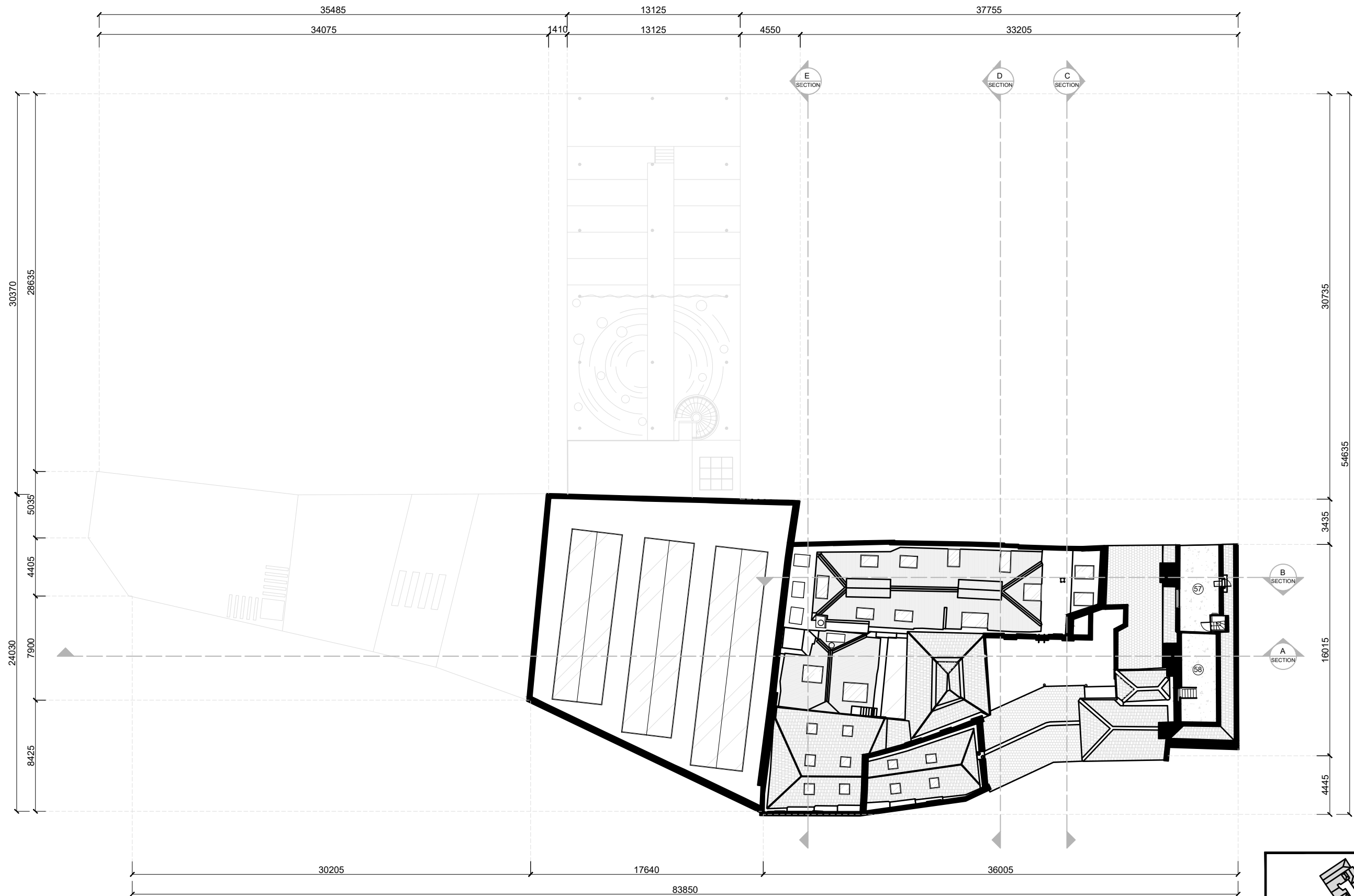
REVISION		
NO.	DATE	ISSUE
01	30 NOV 2020	PROPOSED DESIGN LAYOUT
02	03 MAR 2021	REVISED LAYOUT
03	29 MAR 2021	REVISED LAYOUT

PROJECT TITLE
WHITECHAPEL HANDICRAFT LIBRARY

DRAWING TITLE
PROPOSED FLOOR PLAN - 2/F

PROJECT NO. FMP-01	DRAWN BY SO PAK LING	SCALE 1:300 (A3)
DATE 29 MAR 2021	REVISION NO. 03	DRAWING NO. FP-05





KS
Design

GENERAL NOTES

1. ALL DIMENSIONS ARE IN MILLIMETERS UNLESS OTHERWISE SPECIFIED.
2. DO NOT SCALE THE DRAWINGS.
3. ALL DIMENSIONS SHALL BE VERIFIED ON SITE WITH CONTRACTORS BEFORE PROCEEDING WORK.
4. ALL DESIGNS ARE PROPERTY OF SO PAK LING. NO REPRODUCTION IS PERMITTED WITHOUT CONSENT.

SPECIFIC NOTES

REVISION

NO.	DATE	ISSUE
01	30 NOV 2020	PROPOSED DESIGN LAYOUT
02	29 MAR 2021	REVISED LAYOUT

PROJECT TITLE

WHITECHAPEL HANDICRAFT LIBRARY

DRAWING TITLE

PROPOSED FLOOR PLAN - 3/F

PROJECT NO.

FMP-01

DATE

29 MAR 2021

DRAWN BY

SO PAK LING

REVISION NO.

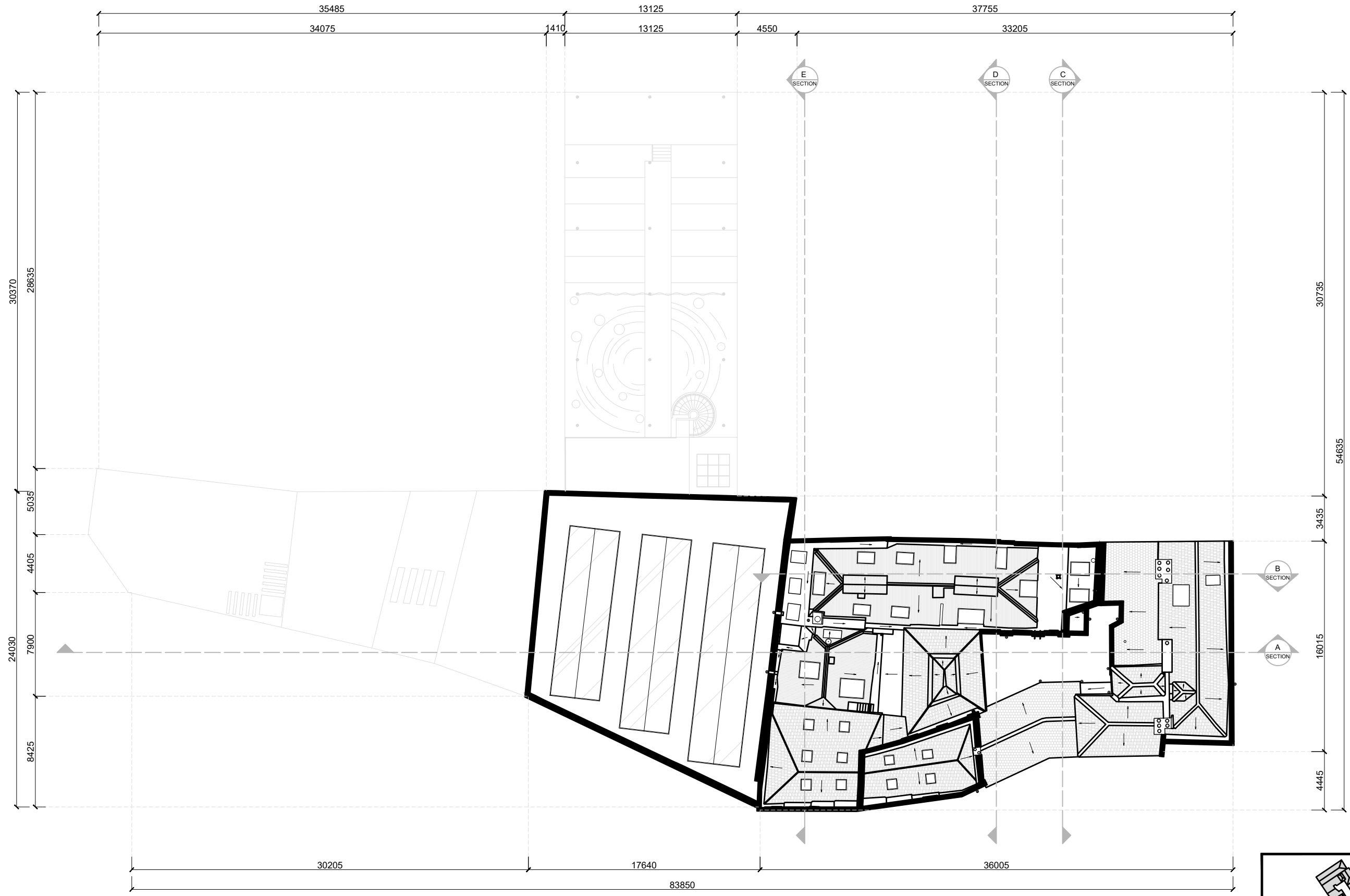
02

SCALE

1:300 (A3)

DRAWING NO.

FP-06



KS
Design

GENERAL NOTES

1. ALL DIMENSIONS ARE IN MILLIMETERS UNLESS OTHERWISE SPECIFIED.
2. DO NOT SCALE THE DRAWINGS.
3. ALL DIMENSIONS SHALL BE VERIFIED ON SITE WITH CONTRACTORS BEFORE PROCEEDING WORK.
4. ALL DESIGNS ARE PROPERTY OF SO PAK LING. NO REPRODUCTION IS PERMITTED WITHOUT CONSENT.

SPECIFIC NOTES

REVISION

NO.	DATE	ISSUE
01	30 NOV 2020	PROPOSED DESIGN LAYOUT
02	29 MAR 2021	REVISED LAYOUT

PROJECT TITLE

WHITECHAPEL HANDICRAFT LIBRARY

DRAWING TITLE

PROPOSED FLOOR PLAN - ROOF

PROJECT NO.

FMP-01

DRAWN BY

SO PAK LING

SCALE

1:300 (A3)

DATE

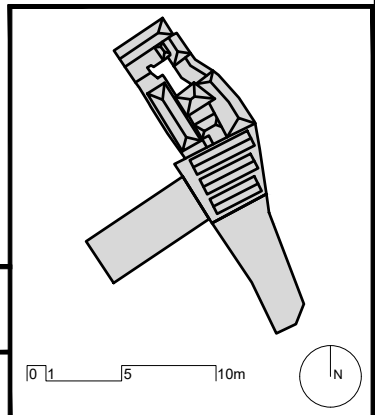
29 MAR 2021

REVISION NO.

02

DRAWING NO.

FP-07



LIGHTING LEGEND

SYMBOL	DESCRIPTION	REMARKS
	DOWN LIGHT	FIG. 1
	FLOOR LIGHT	FIG. 2
	WALL LIGHT	FIG.3 INSTALL 2000H ABOVE GROUND
	WALL LIGHT	FIG.3 INSTALL 3000H ABOVE GROUND
	PENDANT	FIG. 4
	TRACK LIGHT	FIG. 5
	LED LIGHTING STRIP	/
	CEILING LIGHT	FIG. 6
	MOTION DETECTOR	/
	WINDOW	/
	CUSTOMIZED PENDANT	DETAIL DRAWING DE-03
	FALSE CEILING	DETAIL DRAWING DE-04
	ACOUSTIC CEILING RAFTS	FIG. 7



FIG. 1



FIG. 2



FIG. 3



FIG. 4



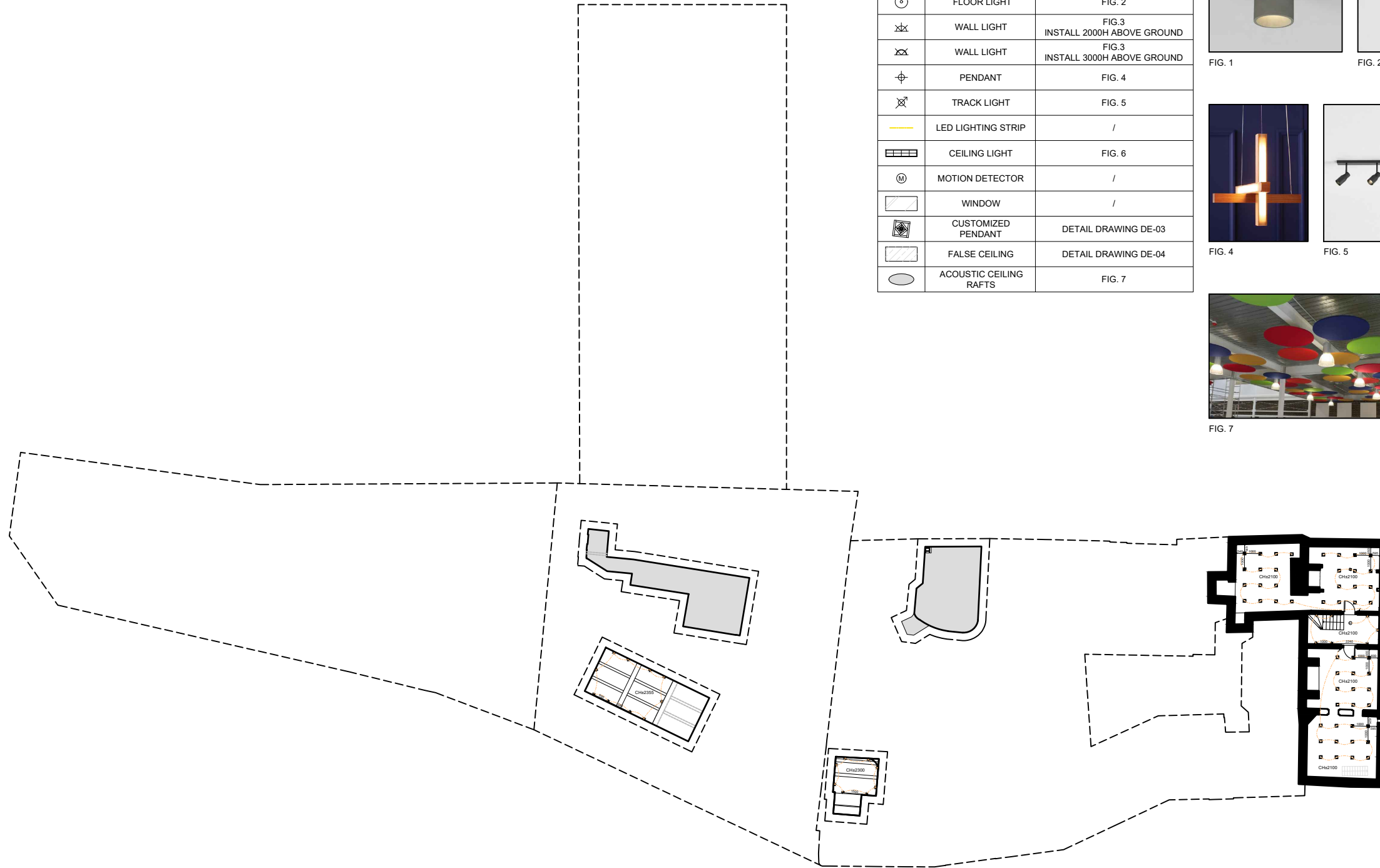
FIG. 5



FIG. 6



FIG. 7



GENERAL NOTES

1. ALL DIMENSIONS ARE IN MILLIMETERS UNLESS OTHERWISE SPECIFIED. DO NOT SCALE THE DRAWINGS.
2. ALL DIMENSIONS SHALL BE VERIFIED ON SITE WITH CONTRACTORS BEFORE PROCEEDING WORK.
3. ALL DESIGNS ARE PROPERTY OF SO PAK LING. NO REPRODUCTION IS PERMITTED WITHOUT CONSENT.

SPECIFIC NOTES

1. MATERIAL AND LOOSE FURNITURE ARE SUBJECT TO CHANGE UPON AVAILABILITY
- REFERENCE
- FIG. 1 Aelio Lighting (2021) Aelio Round [online] available from: <https://www.aelighting.com/products/117/> [1 March 2021]
- FIG. 2 Aelio Lighting (2021) Aelio Square [online] available from: <https://www.aelighting.com/products/115/2020/> [1 March 2021]
- FIG. 3 Aelio Lighting (2021) LED Wall & Ceiling [online] available from: <https://www.aelighting.com/products/115/2020/> [1 March 2021]
- FIG. 4 Aelio Lighting (2021) LED Wall & Ceiling [online] available from: <https://www.aelighting.com/products/115/2020/> [1 March 2021]
- FIG. 5 Aelio Lighting (2021) Aelio Four Bar [online] available from: <https://www.aelighting.com/products/115/2020/> [1 March 2021]
- FIG. 6 LITFAD (2021) Conference Room LED Ceiling Lamp Simply Black Flush Light with Rectangle Acrylic Shade, 47" Long [online] available from: <https://www.litfad.com/conference-room-led-ceiling-lamp-simply-black-flush-light-with-rectangle-acrylic-shade-47-long/> [1 March 2021]
- FIG. 7 Aelio Lighting (2021) Aelio Four Bar [online] available from: <https://www.aelighting.com/products/115/2020/> [1 March 2021]

REVISION

NO.	DATE	ISSUE
01	22 MAR 2021	PROPOSED DESIGN LAYOUT
02	19 APR 2021	UPDATED LEGEND

PROJECT TITLE

WHITECHAPEL HANDICRAFT LIBRARY

PROJECT NO.

FMP-01

DRAWN BY

SO PAK LING

SCALE

1:300 (A3)

DRAWING TITLE

REFLECTIVE CEILING AND LIGHTING PLAN - B1/F

DATE

19 APR 2021

REVISION NO.

02

DRAWING NO.

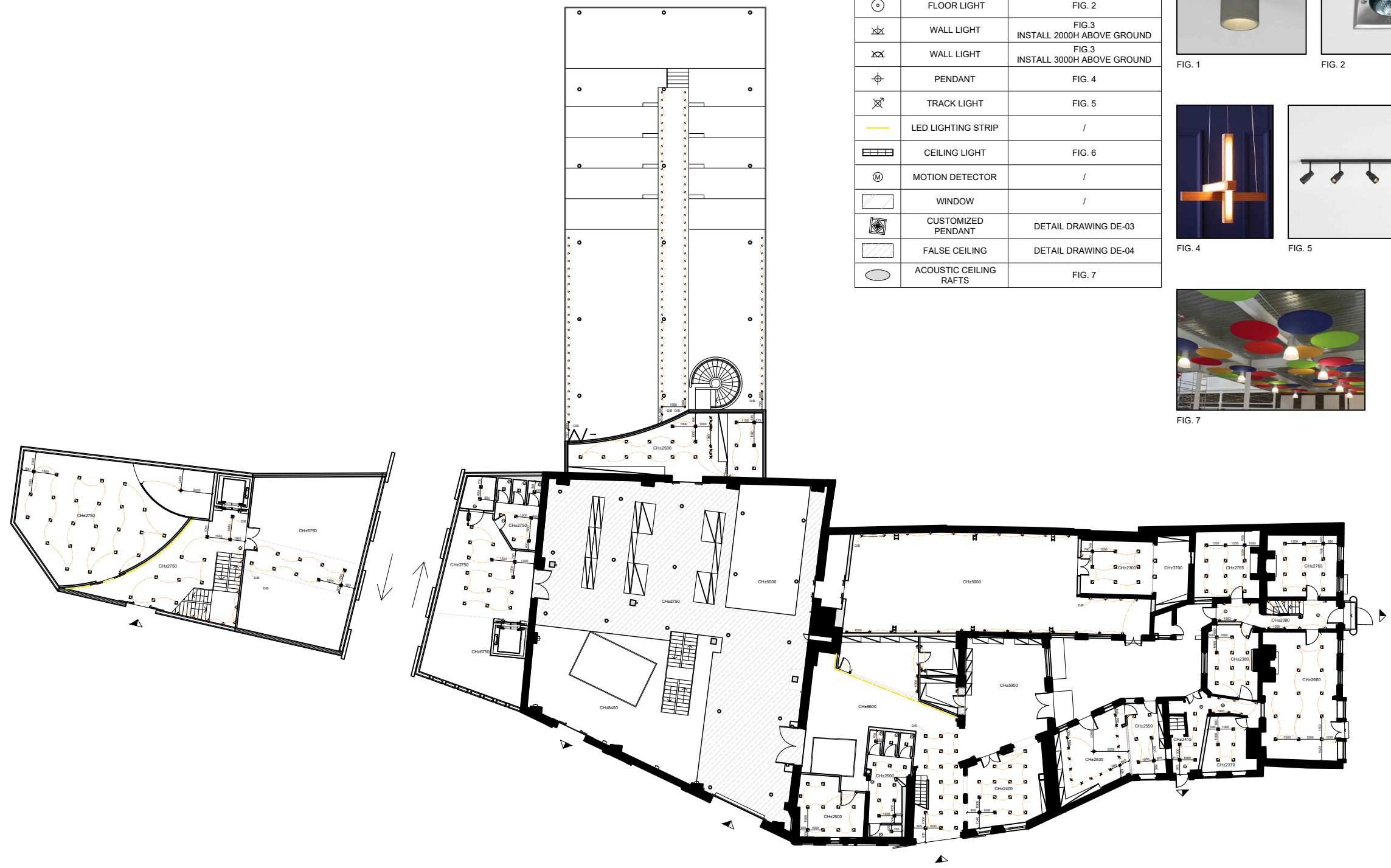
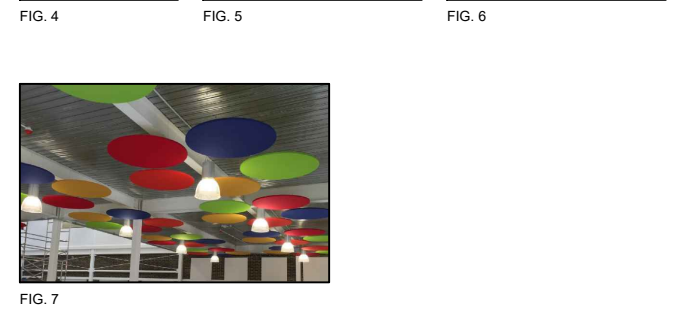
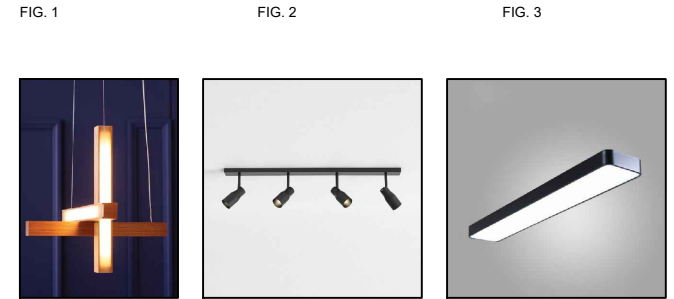
CP-01

0 5 10m



LIGHTING LEGEND

SYMBOL	DESCRIPTION	REMARKS
	DOWN LIGHT	FIG. 1
	FLOOR LIGHT	FIG. 2
	WALL LIGHT	FIG.3 INSTALL 2000H ABOVE GROUND
	WALL LIGHT	FIG.3 INSTALL 3000H ABOVE GROUND
	PENDANT	FIG. 4
	TRACK LIGHT	FIG. 5
	LED LIGHTING STRIP	/
	CEILING LIGHT	FIG. 6
	MOTION DETECTOR	/
	WINDOW	/
	CUSTOMIZED PENDANT	DETAIL DRAWING DE-03
	FALSE CEILING	DETAIL DRAWING DE-04
	ACOUSTIC CEILING RAFTS	FIG. 7



GENERAL NOTES

- ALL DIMENSIONS ARE IN MILLIMETERS UNLESS OTHERWISE SPECIFIED. DO NOT SCALE THE DRAWINGS.
- ALL DIMENSIONS SHALL BE VERIFIED ON SITE WITH CONTRACTORS BEFORE PROCEEDING WORK.
- ALL DESIGNS ARE PROPERTY OF SO PAK LING. NO REPRODUCTION IS PERMITTED WITHOUT CONSENT.

SPECIFIC NOTES

- MATERIAL AND LOOSE FURNITURE ARE SUBJECT TO CHANGE UPON AVAILABILITY

REFERENCE

FIG. 1 Aelio Lighting (2021) Aelio Round [online] available from: <https://www.aelighting.com/products/117> [1 March 2021]

FIG. 2 Aelio Lighting (2021) Aelio Square [online] available from: <https://www.aelighting.com/products/113> [1 March 2021]

FIG. 3 Aelio Lighting (2021) LED Wall & Ceiling [online] available from: <https://www.aelighting.com/products/113> [1 March 2021]

FIG. 4 Aelio Lighting (2021) Aelio Custom [online] available from: <https://www.aelighting.com/products/113> [1 March 2021]

FIG. 5 Aelio Lighting (2021) Aelio Four Bar [online] available from: <https://www.aelighting.com/products/113> [1 March 2021]

FIG. 6 LITFAD (2021) Conference Room LED Ceiling Lamp [online] available from: <https://www.litfad.com/conference-room-led-ceiling-lamp> [1 March 2021]

FIG. 7 Aelio Lighting (2021) Aelio Custom [online] available from: <https://www.aelighting.com/products/113> [1 March 2021]

REVISION		
NO.	DATE	ISSUE
01	22 MAR 2021	PROPOSED DESIGN LAYOUT
02	19 APR 2021	UPDATED LEGEND

PROJECT TITLE
WHITECHAPEL HANDICRAFT LIBRARY

DRAWING TITLE
REFLECTIVE CEILING AND LIGHTING PLAN - G/F

PROJECT NO.
FMP-01

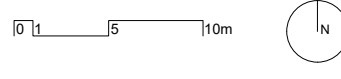
DATE
19 APR 2021

DRAWN BY
SO PAK LING

REVISION NO.
02

SCALE
1:300 (A3)

DRAWING NO.
CP-02



LIGHTING LEGEND

SYMBOL	DESCRIPTION	REMARKS
	DOWN LIGHT	FIG. 1
	FLOOR LIGHT	FIG. 2
	WALL LIGHT	FIG.3 INSTALL 2000H ABOVE GROUND
	WALL LIGHT	FIG.3 INSTALL 3000H ABOVE GROUND
	PENDANT	FIG. 4
	TRACK LIGHT	FIG. 5
	LED LIGHTING STRIP	/
	CEILING LIGHT	FIG. 6
	MOTION DETECTOR	/
	WINDOW	/
	CUSTOMIZED PENDANT	DETAIL DRAWING DE-03
	FALSE CEILING	DETAIL DRAWING DE-04
	ACOUSTIC CEILING RAFTS	FIG. 7



FIG. 1 FIG. 2 FIG. 3

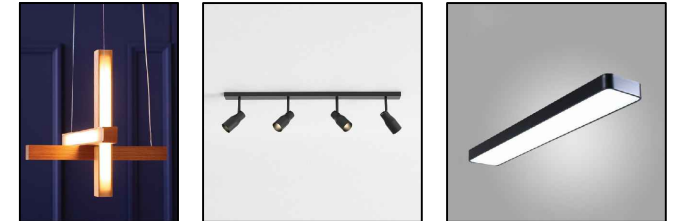
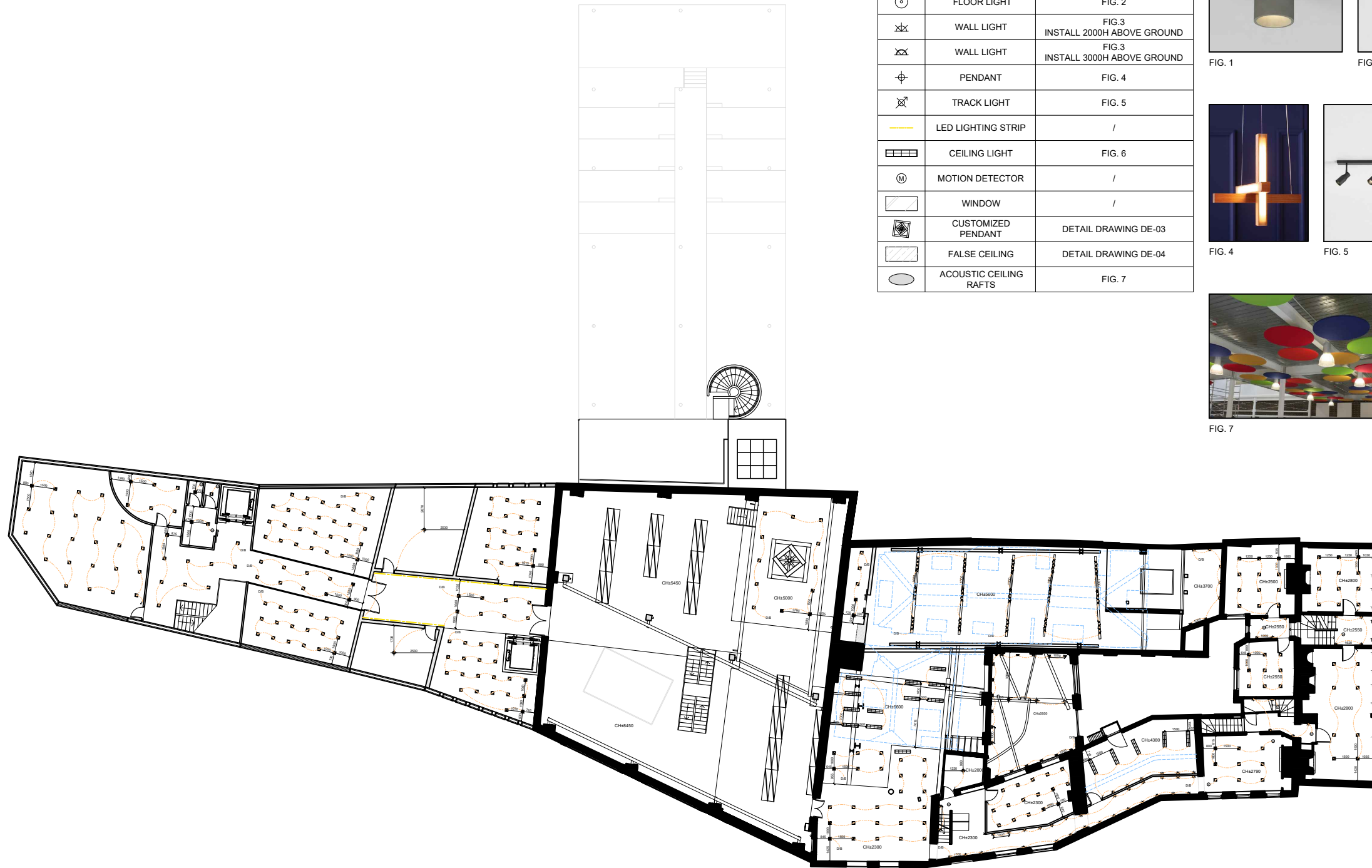


FIG. 4 FIG. 5 FIG. 6



FIG. 7



GENERAL NOTES

1. ALL DIMENSIONS ARE IN MILLIMETERS UNLESS OTHERWISE SPECIFIED. DO NOT SCALE THE DRAWINGS.
2. ALL DIMENSIONS SHALL BE VERIFIED ON SITE WITH CONTRACTORS BEFORE PROCEEDING WORK.
3. ALL DESIGNS ARE PROPERTY OF SO PAK LING. NO REPRODUCTION IS PERMITTED WITHOUT CONSENT.

SPECIFIC NOTES

1. MATERIAL AND LOOSE FURNITURE ARE SUBJECT TO CHANGE UPON AVAILABILITY
- REFERENCE
- FIG. 1 Aelio Lighting (2021) Aelio Round [online] available from: <https://www.aelighting.com/products/117> [1 March 2021]
- FIG. 2 Aelio Lighting (2021) Aelio Square [online] available from: <https://www.aelighting.com/products/113> [1 March 2021]
- FIG. 3 Aelio Lighting (2021) LED Wall & Ceiling [online] available from: <https://www.aelighting.com/products/113> [1 March 2021]
- FIG. 4 Aelio Lighting (2021) Aelio Four Bar [online] available from: <https://www.aelighting.com/products/113> [1 March 2021]
- FIG. 5 Aelio Lighting (2021) Aelio Four Bar [online] available from: <https://www.aelighting.com/products/113> [1 March 2021]
- FIG. 6 LITFAD (2021) Conference Room LED Ceiling Lamp [online] available from: <https://www.litfad.com/conference-room-led-ceiling-lamp> [1 March 2021]
- FIG. 7 Aelio Lighting (2021) Aelio Round [online] available from: <https://www.aelighting.com/products/117> [1 March 2021]

REVISION

NO.	DATE	ISSUE
01	22 MAR 2021	PROPOSED DESIGN LAYOUT
02	19 APR 2021	UPDATED LEGEND

PROJECT TITLE

WHITECHAPEL HANDICRAFT LIBRARY

DRAWING TITLE

REFLECTIVE CEILING AND LIGHTING PLAN - 1/F

PROJECT NO.

FMP-01

DATE

19 APR 2021

DRAWN BY

SO PAK LING

REVISION NO.

02

SCALE

1:300 (A3)

DRAWING NO.

CP-03

0 5 10m



LIGHTING LEGEND

SYMBOL	DESCRIPTION	REMARKS
	DOWN LIGHT	FIG. 1
	FLOOR LIGHT	FIG. 2
	WALL LIGHT	FIG.3 INSTALL 2000H ABOVE GROUND
	WALL LIGHT	FIG.3 INSTALL 3000H ABOVE GROUND
	PENDANT	FIG. 4
	TRACK LIGHT	FIG. 5
	LED LIGHTING STRIP	/
	CEILING LIGHT	FIG. 6
	MOTION DETECTOR	/
	WINDOW	/
	CUSTOMIZED PENDANT	DETAIL DRAWING DE-03
	FALSE CEILING	DETAIL DRAWING DE-04
	ACOUSTIC CEILING RAFTS	FIG. 7



FIG. 1 FIG. 2 FIG. 3

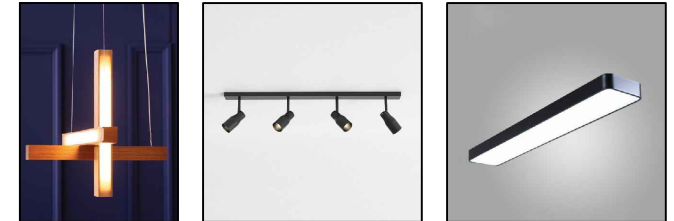
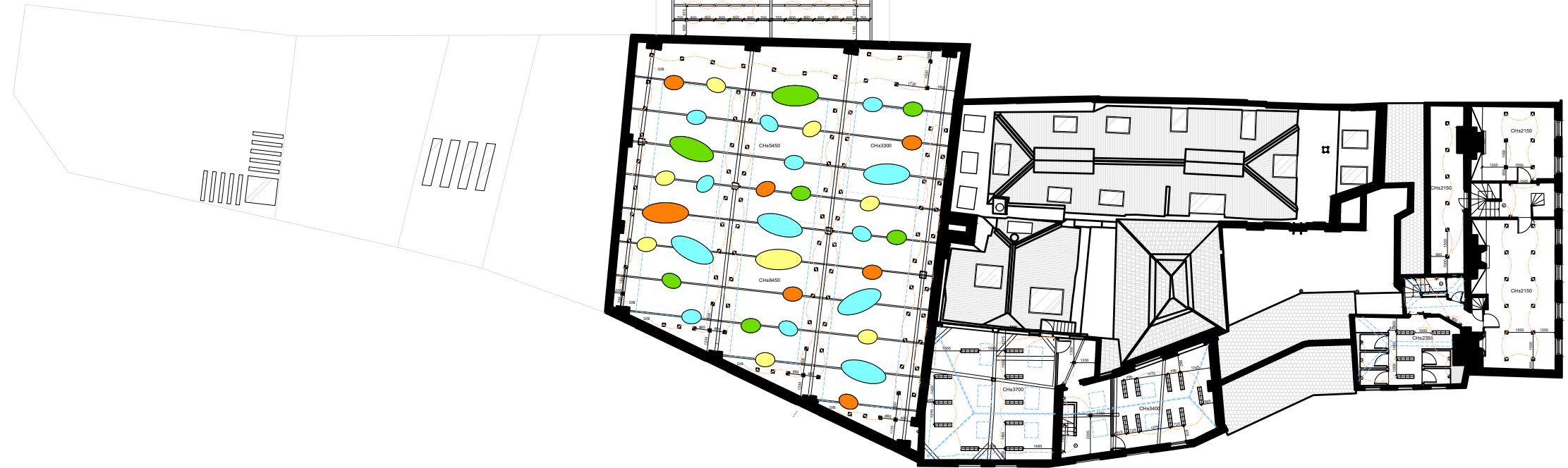
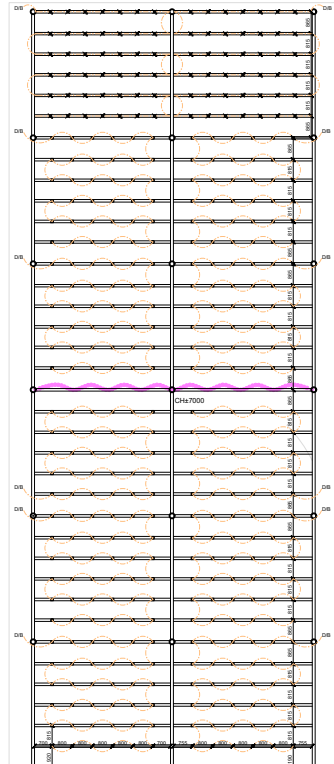


FIG. 4 FIG. 5 FIG. 6



FIG. 7



GENERAL NOTES

- ALL DIMENSIONS ARE IN MILLIMETERS UNLESS OTHERWISE SPECIFIED. DO NOT SCALE THE DRAWINGS.
- ALL DIMENSIONS SHALL BE VERIFIED ON SITE WITH CONTRACTORS BEFORE PROCEEDING WORK.
- ALL DESIGNS ARE PROPERTY OF SO PAK LING. NO REPRODUCTION IS PERMITTED WITHOUT CONSENT.

SPECIFIC NOTES

- MATERIAL AND LOOSE FURNITURE ARE SUBJECT TO CHANGE UPON AVAILABILITY

REFERENCE

FIG. 1 Aelio Lighting (2021) Aelio Round [online] available from: <https://www.aelighting.com/products/117/> [1 March 2021]
 FIG. 2 Aelio Lighting (2021) Aelio Square [online] available from: <https://www.aelighting.com/products/113/> [1 March 2021]
 FIG. 3 Aelio Lighting (2021) LED90 Wall & Ceiling [online] available from: <https://www.aelighting.com/products/113/> [1 March 2021]
 FIG. 4 Aelio Lighting (2021) LED90 Wall & Ceiling [online] available from: <https://www.aelighting.com/products/113/> [1 March 2021]
 FIG. 5 Aelio Lighting (2021) Aelio Four Bar [online] available from: <https://www.aelighting.com/products/113/> [1 March 2021]
 FIG. 6 LITFAD (2021) Conference Room LED Ceiling Lamp [online] available from: <https://www.litfad.com/conference-room-led-ceiling-lamp-2021-04-19/> [19 April 2021]
 FIG. 7 Aelio Lighting (2021) Aelio Round [online] available from: <https://www.aelighting.com/products/117/> [1 March 2021]

REVISION		
NO.	DATE	ISSUE
01	22 MAR 2021	PROPOSED DESIGN LAYOUT
02	19 APR 2021	UPDATED LEGEND AND LAYOUT AS PER ADVICE

PROJECT TITLE
WHITECHAPEL HANDICRAFT LIBRARY

DRAWING TITLE
REFLECTIVE CEILING AND LIGHTING PLAN - 2/F

PROJECT NO.
FMP-01

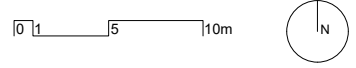
DATE
19 APR 2021

DRAWN BY
SO PAK LING

REVISION NO.
02

SCALE
1:300 (A3)

DRAWING NO.
CP-04



LIGHTING LEGEND

SYMBOL	DESCRIPTION	REMARKS
	DOWN LIGHT	FIG. 1
	FLOOR LIGHT	FIG. 2
	WALL LIGHT	FIG.3 INSTALL 2000H ABOVE GROUND
	WALL LIGHT	FIG.3 INSTALL 3000H ABOVE GROUND
	PENDANT	FIG. 4
	TRACK LIGHT	FIG. 5
	LED LIGHTING STRIP	/
	CEILING LIGHT	FIG. 6
	MOTION DETECTOR	/
	WINDOW	/
	CUSTOMIZED PENDANT	DETAIL DRAWING DE-03
	FALSE CEILING	DETAIL DRAWING DE-04
	ACOUSTIC CEILING RAFTS	FIG. 7



FIG. 1



FIG. 2



FIG. 3



FIG. 4



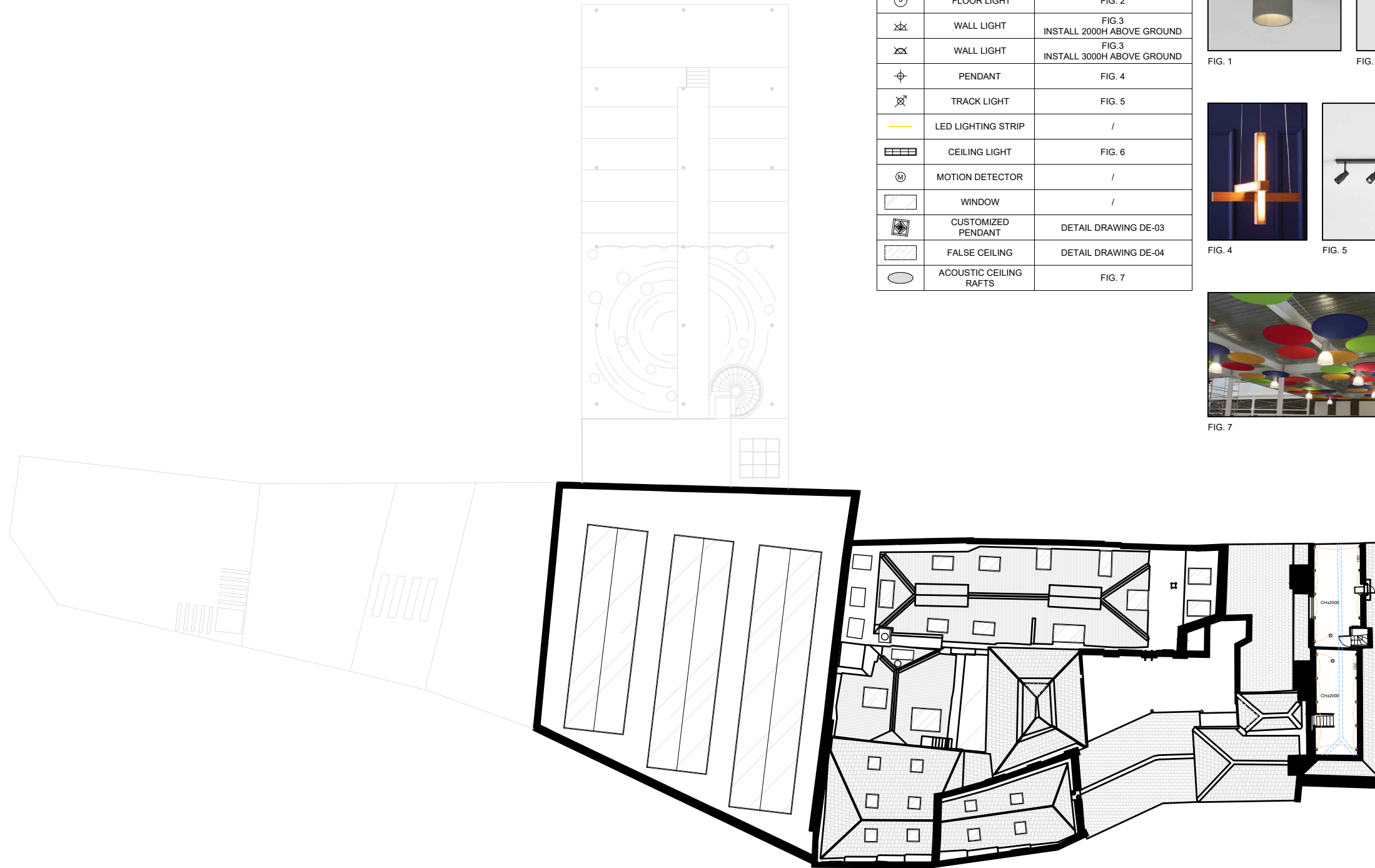
FIG. 5



FIG. 6



FIG. 7



GENERAL NOTES

1. ALL DIMENSIONS ARE IN MILLIMETERS UNLESS OTHERWISE SPECIFIED. DO NOT SCALE THE DRAWINGS.
2. ALL DIMENSIONS SHALL BE VERIFIED ON SITE WITH CONTRACTORS BEFORE PROCEEDING WORK.
3. ALL DESIGNS ARE PROPERTY OF SO PAK LING. NO REPRODUCTION IS PERMITTED WITHOUT CONSENT.

SPECIFIC NOTES

1. MATERIAL AND LOOSE FURNITURE ARE SUBJECT TO CHANGE UPON AVAILABILITY
- REFERENCE
- FIG. 1 Aelio Lighting (2021) Aelio Round [online] available from: <https://www.aelighting.com/products/117> [1 March 2021]
- FIG. 2 Aelio Lighting (2021) Aelio Square [online] available from: <https://www.aelighting.com/products/113> [1 March 2021]
- FIG. 3 Aelio Lighting (2021) Aelio Wall & Ceiling [online] available from: <https://www.aelighting.com/products/113> [1 March 2021]
- FIG. 4 Aelio Lighting (2021) Aelio Four Bar [online] available from: <https://www.aelighting.com/products/113> [1 March 2021]
- FIG. 5 Aelio Lighting (2021) Aelio Four Bar [online] available from: <https://www.aelighting.com/products/113> [1 March 2021]
- FIG. 6 LITFAD (2021) Conference Room LED Ceiling Lamp [online] available from: <https://www.litfad.com/conference-room-led-ceiling-lamp> [1 March 2021]
- FIG. 7 Aelio Lighting (2021) Aelio Round [online] available from: <https://www.aelighting.com/products/117> [1 March 2021]

REVISION

NO.	DATE	ISSUE
01	22 MAR 2021	PROPOSED DESIGN LAYOUT
02	19 APR 2021	UPDATED LEGEND

PROJECT TITLE

WHITECHAPEL HANDICRAFT LIBRARY

PROJECT NO.

FMP-01

DRAWN BY

SO PAK LING

SCALE

1:300 (A3)

DRAWING TITLE

REFLECTIVE CEILING AND LIGHTING PLAN - 3/F

DATE

19 APR 2021

REVISION NO.

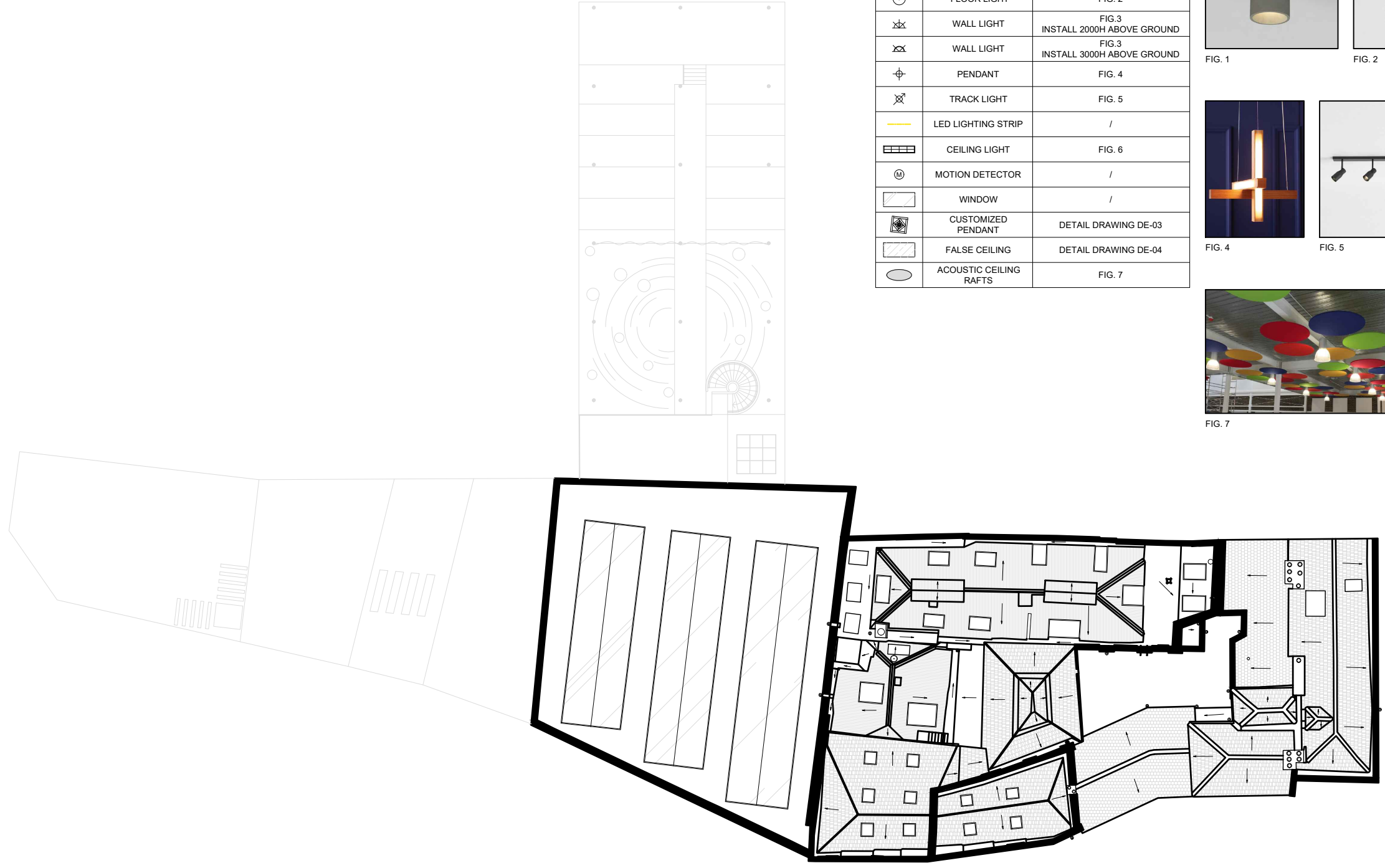
02

DRAWING NO.

CP-05

0 5 10m





LIGHTING LEGEND

SYMBOL	DESCRIPTION	REMARKS
	DOWN LIGHT	FIG. 1
	FLOOR LIGHT	FIG. 2
	WALL LIGHT	FIG.3 INSTALL 2000H ABOVE GROUND
	WALL LIGHT	FIG.3 INSTALL 3000H ABOVE GROUND
	PENDANT	FIG. 4
	TRACK LIGHT	FIG. 5
	LED LIGHTING STRIP	/
	CEILING LIGHT	FIG. 6
	MOTION DETECTOR	/
	WINDOW	/
	CUSTOMIZED PENDANT	DETAIL DRAWING DE-03
	FALSE CEILING	DETAIL DRAWING DE-04
	ACOUSTIC CEILING RAFTS	FIG. 7



FIG. 1 FIG. 2 FIG. 3

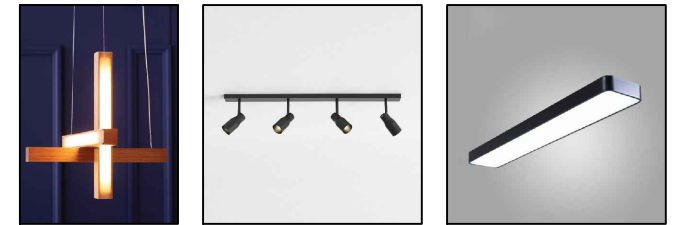


FIG. 4 FIG. 5 FIG. 6



FIG. 7



GENERAL NOTES

1. ALL DIMENSIONS ARE IN MILLIMETERS UNLESS OTHERWISE SPECIFIED. DO NOT SCALE THE DRAWINGS.
2. ALL DIMENSIONS SHALL BE VERIFIED ON SITE WITH CONTRACTORS BEFORE PROCEEDING WORK.
3. ALL DESIGNS ARE PROPERTY OF SO PAK LING. NO REPRODUCTION IS PERMITTED WITHOUT CONSENT.

SPECIFIC NOTES

1. MATERIAL AND LOOSE FURNITURE ARE SUBJECT TO CHANGE UPON AVAILABILITY

REFERENCE

FIG. 1 Aelio Lighting (2021) Aelio Round [online] available from: <https://www.aelighting.com/products/117> [1 March 2021]

FIG. 2 Aelio Lighting (2021) Aelio Square [online] available from: <https://www.aelighting.com/products/113> [1 March 2021]

FIG. 3 Aelio Lighting (2021) LED Wall & Ceiling [online] available from: <https://www.aelighting.com/products/113> [1 March 2021]

FIG. 4 Aelio Lighting (2021) LED Wall & Ceiling [online] available from: <https://www.aelighting.com/products/113> [1 March 2021]

FIG. 5 Aelio Lighting (2021) Aelio Four Bar [online] available from: <https://www.aelighting.com/products/113> [1 March 2021]

FIG. 6 LITFAD (2021) Conference Room LED Ceiling Lamp [online] available from: <https://www.litfad.com/conference-room-led-ceiling-lamp> [1 March 2021]

FIG. 7 Aelio Lighting (2021) Aelio Round [online] available from: <https://www.aelighting.com/products/117> [1 March 2021]

REVISION		
NO.	DATE	ISSUE
01	22 MAR 2021	PROPOSED DESIGN LAYOUT
02	19 APR 2021	UPDATED LEGEND

PROJECT TITLE
WHITECHAPEL HANDICRAFT LIBRARY

DRAWING TITLE
REFLECTIVE CEILING AND LIGHTING PLAN - ROOF

PROJECT NO.
FMP-01

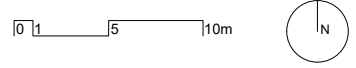
DATE
19 APR 2021

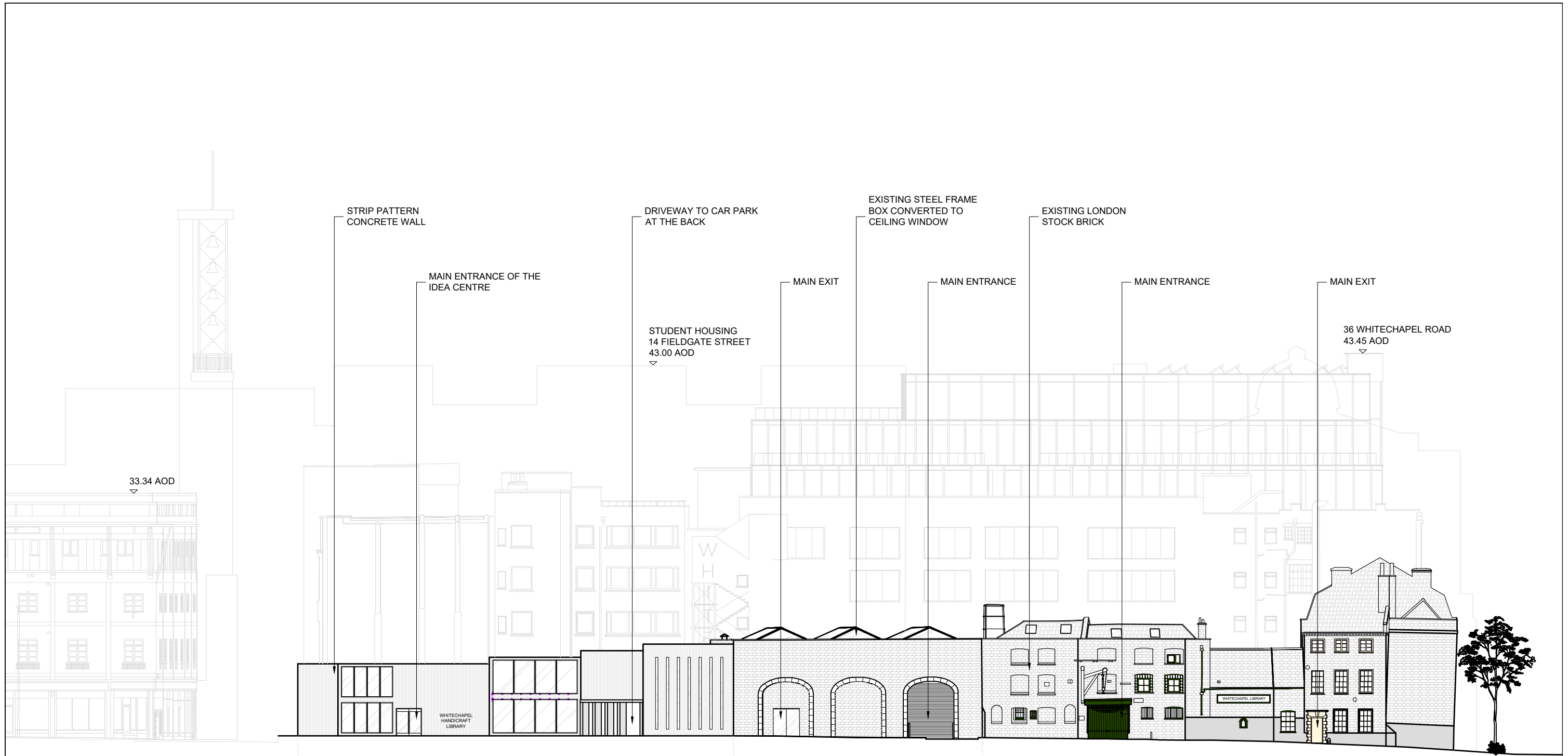
DRAWN BY
SO PAK LING

REVISION NO.
02

SCALE
1:300 (A3)

DRAWING NO.
CP-06



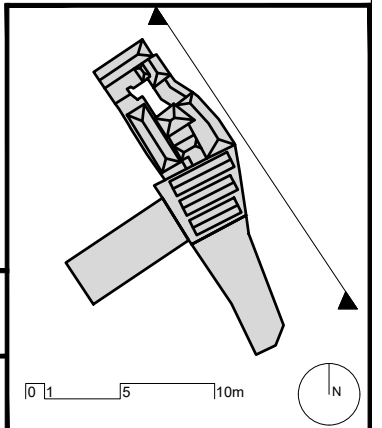


EAST ELEVATION
1:300

THE IDEA CENTRE (EXTENSION)
EXHIBITION SPACE, CONFERENCE ROOM, DISCUSSION AREA, PRIVATE STUDY ROOM, RESEARCH CENTRE, OFFICE, DRIVEWAY

THE 1980s BUILDING
MATERIAL LIBRARY, BOOKS COLLECTION

HISTORIC FOUNDRY
CRAFTS WORKSPACE, WORKSHOP, MATERIAL SHOP, POST OFFICE, CRAFTS SHOP



GENERAL NOTES
 1. ALL DIMENSIONS ARE IN MILLIMETERS UNLESS OTHERWISE SPECIFIED.
 2. DO NOT SCALE THE DRAWINGS.
 3. ALL DIMENSIONS SHALL BE VERIFIED ON SITE WITH CONTRACTORS BEFORE PROCEEDING WORK.
 4. ALL DESIGNS ARE PROPERTY OF SO PAK LING. NO REPRODUCTION IS PERMITTED WITHOUT CONSENT.

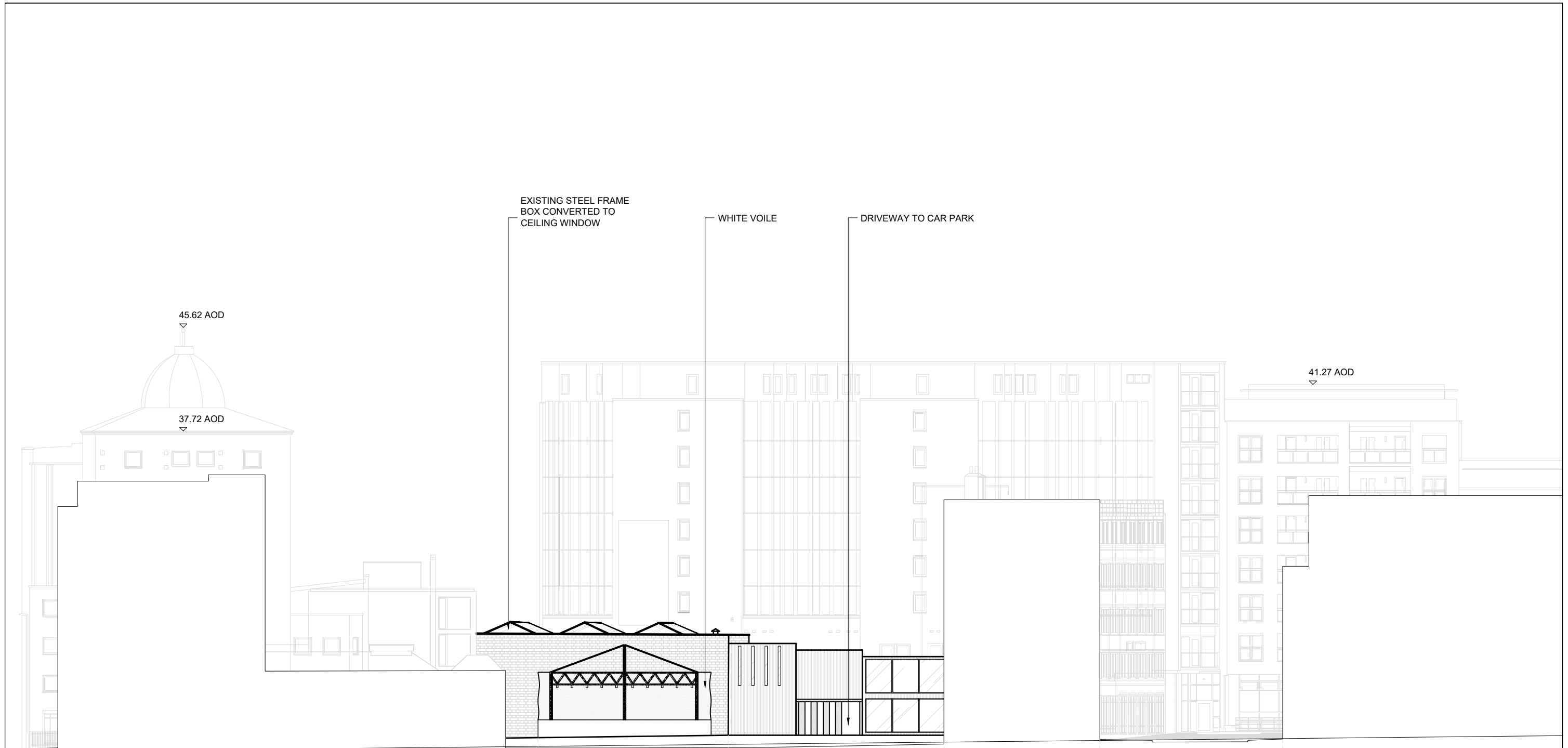
SPECIFIC NOTES

REVISION		
NO.	DATE	ISSUE
01	30 NOV 2020	PROPOSED DESIGN LAYOUT
02	10 FEB 2021	UPDATED LAYOUT AS PER ADVICES
03	03 MAR 2021	REVISED LAYOUT
04	29 MAR 2021	REVISED LAYOUT

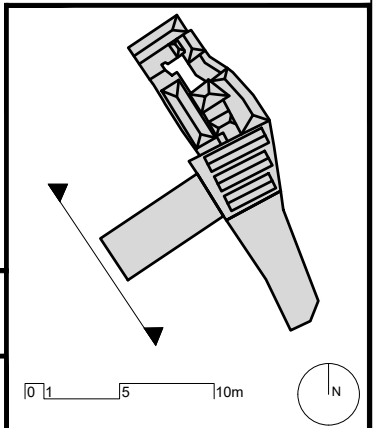
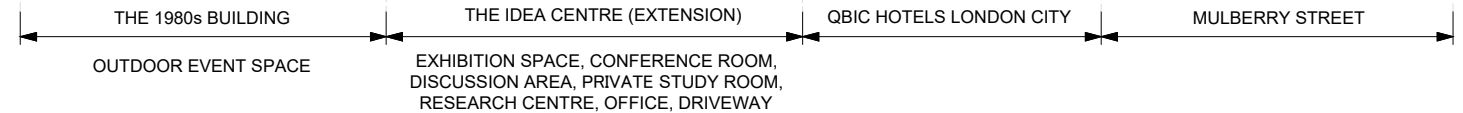
PROJECT TITLE
WHITECHAPEL HANDICRAFT LIBRARY

DRAWING TITLE
EAST ELEVATION

PROJECT NO. FMP-01	DRAWN BY SO PAK LING	SCALE 1:300 (A3)
DATE 29 MAR 2021	REVISION NO. 04	DRAWING NO. EL-01



WEST ELEVATION
1:300



GENERAL NOTES

1. ALL DIMENSIONS ARE IN MILLIMETERS UNLESS OTHERWISE SPECIFIED.
2. DO NOT SCALE THE DRAWINGS.
3. ALL DIMENSIONS SHALL BE VERIFIED ON SITE WITH CONTRACTORS BEFORE PROCEEDING WORK.
4. ALL DESIGNS ARE PROPERTY OF SO PAK LING. NO REPRODUCTION IS PERMITTED WITHOUT CONSENT.

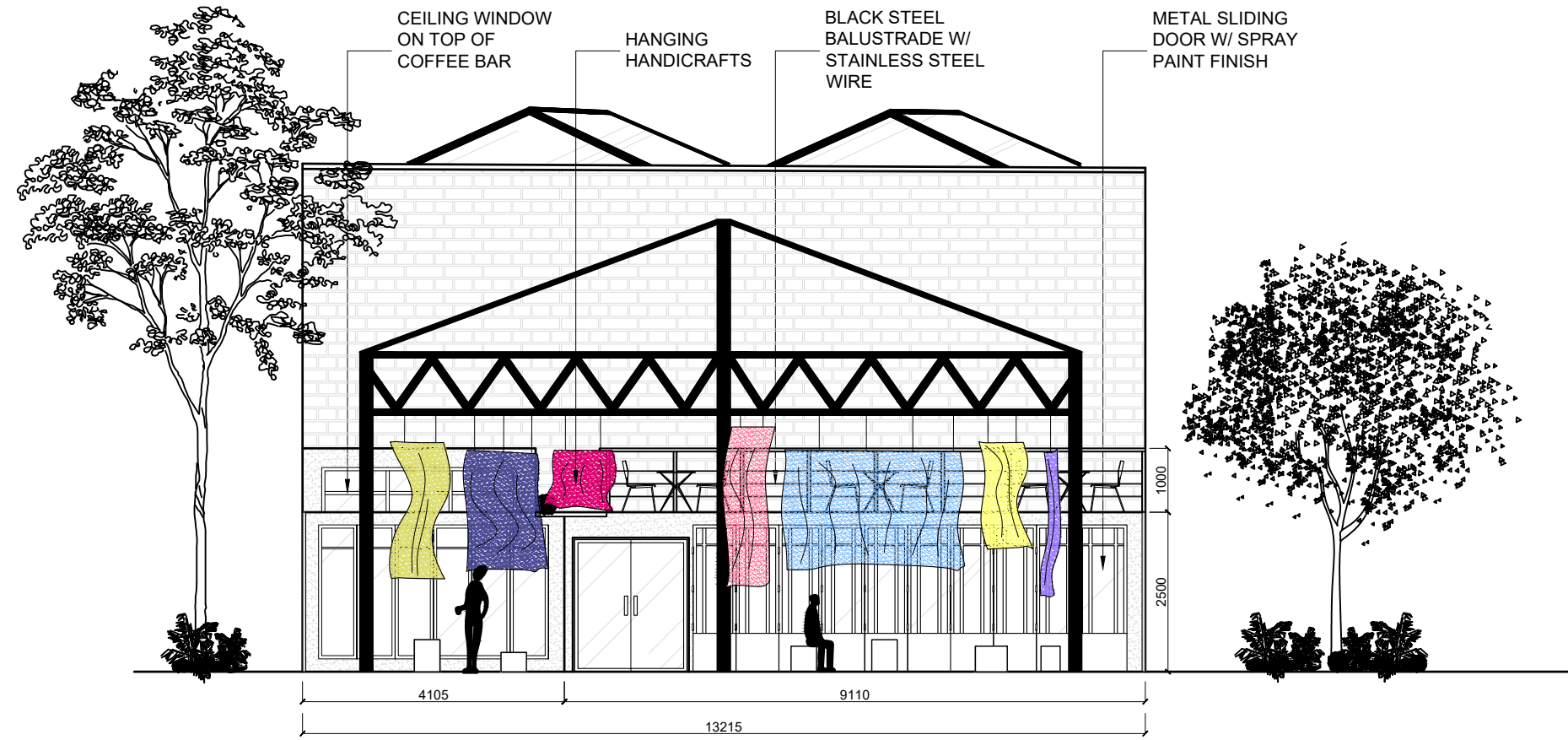
SPECIFIC NOTES

REVISION		
NO.	DATE	ISSUE
01	30 NOV 2020	PROPOSED DESIGN LAYOUT
02	10 FEB 2021	UPDATED LAYOUT AS PER ADVICES
03	03 MAR 2021	REVISED LAYOUT
04	29 MAR 2021	REVISED LAYOUT
05	19 APR 2021	REVISED LAYOUT

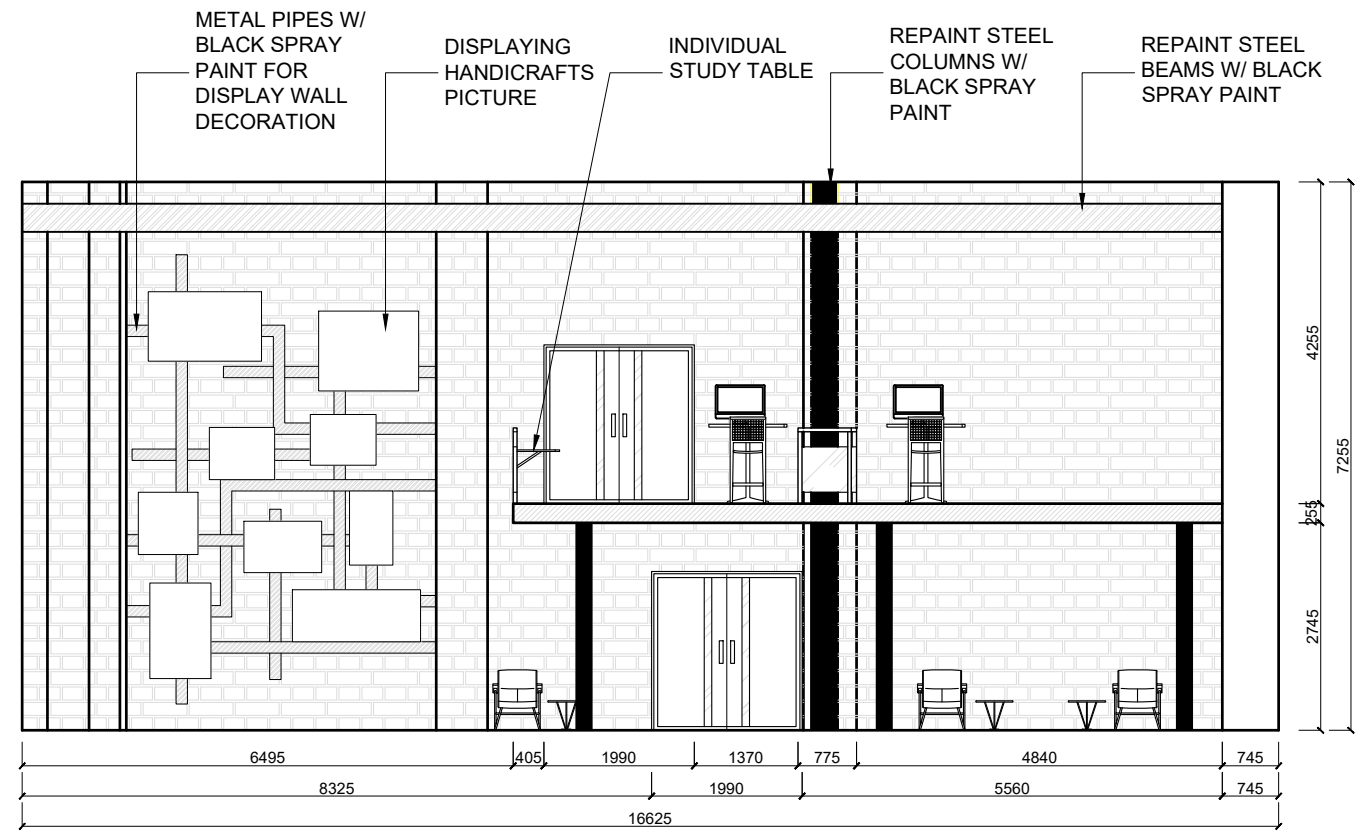
PROJECT TITLE
WHITECHAPEL HANDICRAFT LIBRARY

DRAWING TITLE
WEST ELEVATION

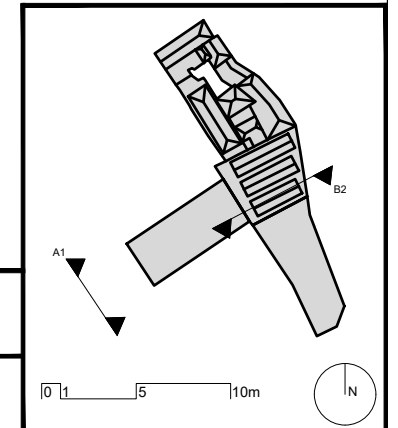
PROJECT NO. FMP-01	DRAWN BY SO PAK LING	SCALE 1:300 (A3)
DATE 19 APR 2021	REVISION NO. 05	DRAWING NO. EL-02



INTERNAL ELEVATION A1 - CAFE
1:100



INTERNAL ELEVATION B2- READING AND STUDYING AREA
1:100



GENERAL NOTES

1. ALL DIMENSIONS ARE IN MILLIMETERS UNLESS OTHERWISE SPECIFIED.
2. DO NOT SCALE THE DRAWINGS.
3. ALL DIMENSIONS SHALL BE VERIFIED ON SITE WITH CONTRACTORS BEFORE PROCEEDING WORK.
4. ALL DESIGNS ARE PROPERTY OF SO PAK LING. NO REPRODUCTION IS PERMITTED WITHOUT CONSENT.

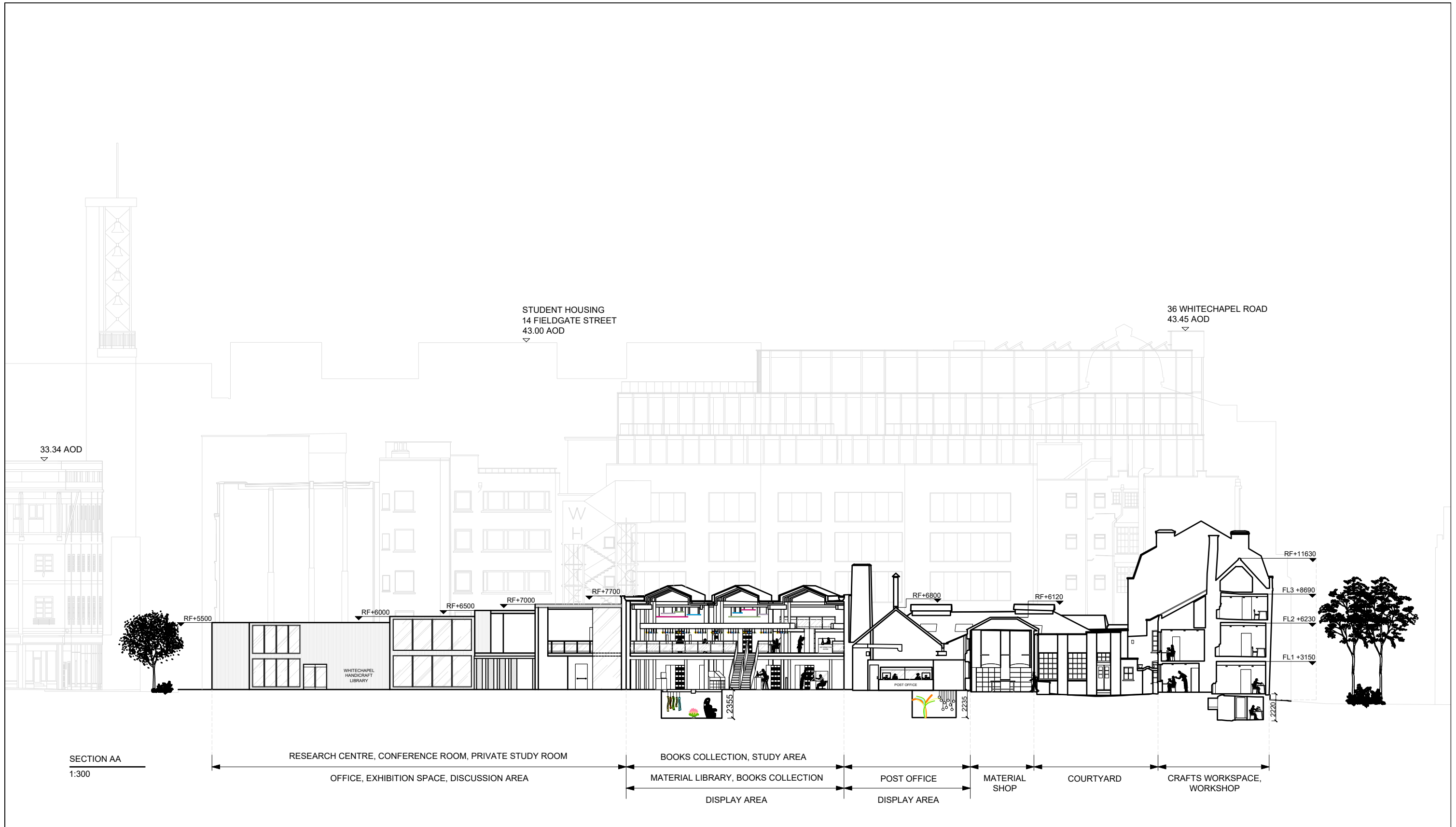
SPECIFIC NOTES

REVISION		
NO.	DATE	ISSUE
01	30 NOV 2020	PROPOSED DESIGN LAYOUT
02	10 FEB 2021	UPDATED LAYOUT AS PER ADVICES
03	03 MAR 2021	REVISED LAYOUT
04	29 MAR 2021	REVISED LAYOUT
05	19 APR 2021	REVISED LAYOUT

PROJECT TITLE
WHITECHAPEL HANDICRAFT LIBRARY

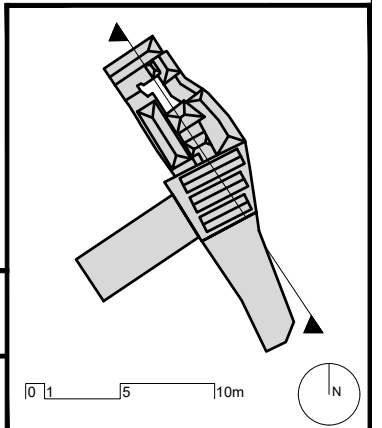
DRAWING TITLE
INTERNAL ELEVATION

PROJECT NO. FMP-01	DRAWN BY SO PAK LING	SCALE 1:100 (A3)
DATE 19 APR 2021	REVISION NO. 05	DRAWING NO. EL-03



SECTION AA
1:300

RESEARCH CENTRE, CONFERENCE ROOM, PRIVATE STUDY ROOM
OFFICE, EXHIBITION SPACE, DISCUSSION AREA
BOOKS COLLECTION, STUDY AREA
MATERIAL LIBRARY, BOOKS COLLECTION
DISPLAY AREA
POST OFFICE
DISPLAY AREA
MATERIAL SHOP
COURTYARD
CRAFTS WORKSPACE, WORKSHOP



GENERAL NOTES

1. ALL DIMENSIONS ARE IN MILLIMETERS UNLESS OTHERWISE SPECIFIED.
2. DO NOT SCALE THE DRAWINGS.
3. ALL DIMENSIONS SHALL BE VERIFIED ON SITE WITH CONTRACTORS BEFORE PROCEEDING WORK.
4. ALL DESIGNS ARE PROPERTY OF SO PAK LING. NO REPRODUCTION IS PERMITTED WITHOUT CONSENT.

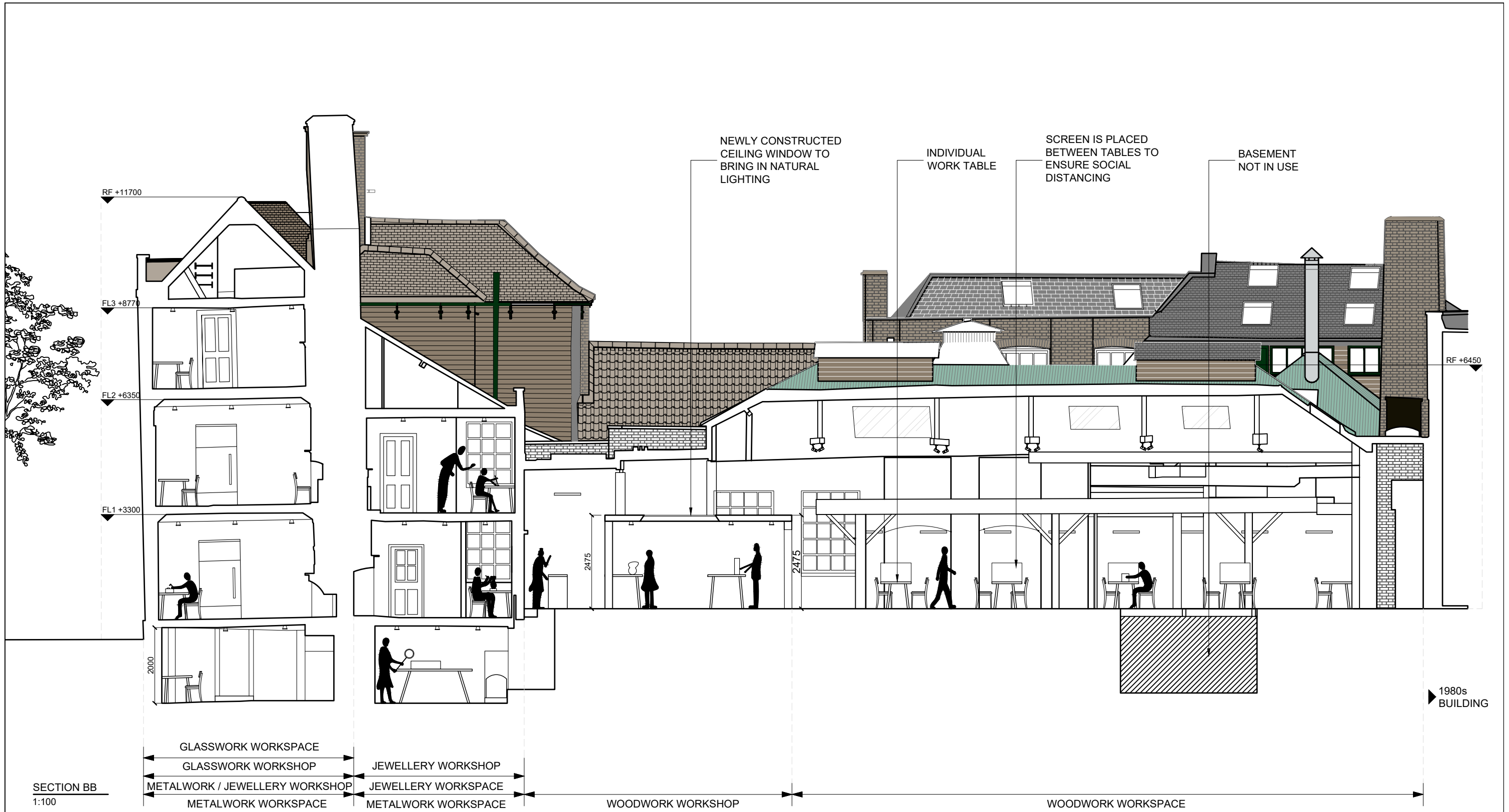
SPECIFIC NOTES

REVISION		
NO.	DATE	ISSUE
01	30 NOV 2020	PROPOSED DESIGN LAYOUT
02	10 FEB 2021	UPDATED LAYOUT AS PER ADVICES
03	03 MAR 2021	REVISED LAYOUT
04	29 MAR 2021	REVISED LAYOUT
05	19 APR 2021	REVISED LAYOUT

PROJECT TITLE
WHITECHAPEL HANDICRAFT LIBRARY

DRAWING TITLE
SECTION AA

PROJECT NO. FMP-01	DRAWN BY SO PAK LING	SCALE 1:300 (A3)
DATE 19 APR 2021	REVISION NO. 05	DRAWING NO. SC-01



SECTION BB
1:100

- GENERAL NOTES
1. ALL DIMENSIONS ARE IN MILLIMETERS UNLESS OTHERWISE SPECIFIED.
 2. DO NOT SCALE THE DRAWINGS.
 3. ALL DIMENSIONS SHALL BE VERIFIED ON SITE WITH CONTRACTORS BEFORE PROCEEDING WORK.
 4. ALL DESIGNS ARE PROPERTY OF SO PAK LING. NO REPRODUCTION IS PERMITTED WITHOUT CONSENT.

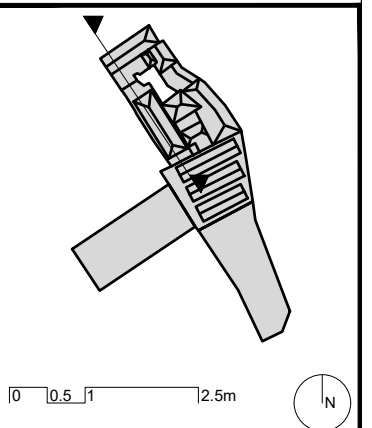
SPECIFIC NOTES

NO.	DATE	ISSUE
01	30 NOV 2020	PROPOSED DESIGN LAYOUT
02	29 MAR 2021	REVISED LAYOUT

REVISION		
NO.	DATE	ISSUE
01	30 NOV 2020	PROPOSED DESIGN LAYOUT
02	29 MAR 2021	REVISED LAYOUT

PROJECT TITLE	WHITECHAPEL HANDICRAFT LIBRARY
DRAWING TITLE	SECTION BB

PROJECT NO.	FMP-01	DRAWN BY	SO PAK LING	SCALE	1:100 (A3)
DATE	29 MAR 2021	REVISION NO.	02	DRAWING NO.	SC-02





SECTION CC
1:100

KS
Design

GENERAL NOTES

1. ALL DIMENSIONS ARE IN MILLIMETERS UNLESS OTHERWISE SPECIFIED.
2. DO NOT SCALE THE DRAWINGS.
3. ALL DIMENSIONS SHALL BE VERIFIED ON SITE WITH CONTRACTORS BEFORE PROCEEDING WORK.
4. ALL DESIGNS ARE PROPERTY OF SO PAK LING. NO REPRODUCTION IS PERMITTED WITHOUT CONSENT.

SPECIFIC NOTES

REVISION

NO.	DATE	ISSUE
01	30 NOV 2020	PROPOSED DESIGN LAYOUT
02	29 MAR 2021	REVISED LAYOUT

PROJECT TITLE

WHITECHAPEL HANDICRAFT LIBRARY

DRAWING TITLE

SECTION CC

PROJECT NO.

FMP-01

DATE

29 MAR 2021

DRAWN BY

SO PAK LING

REVISION NO.

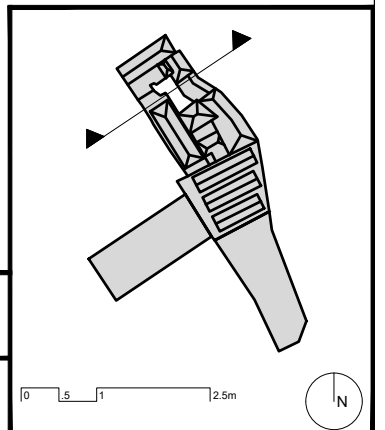
02

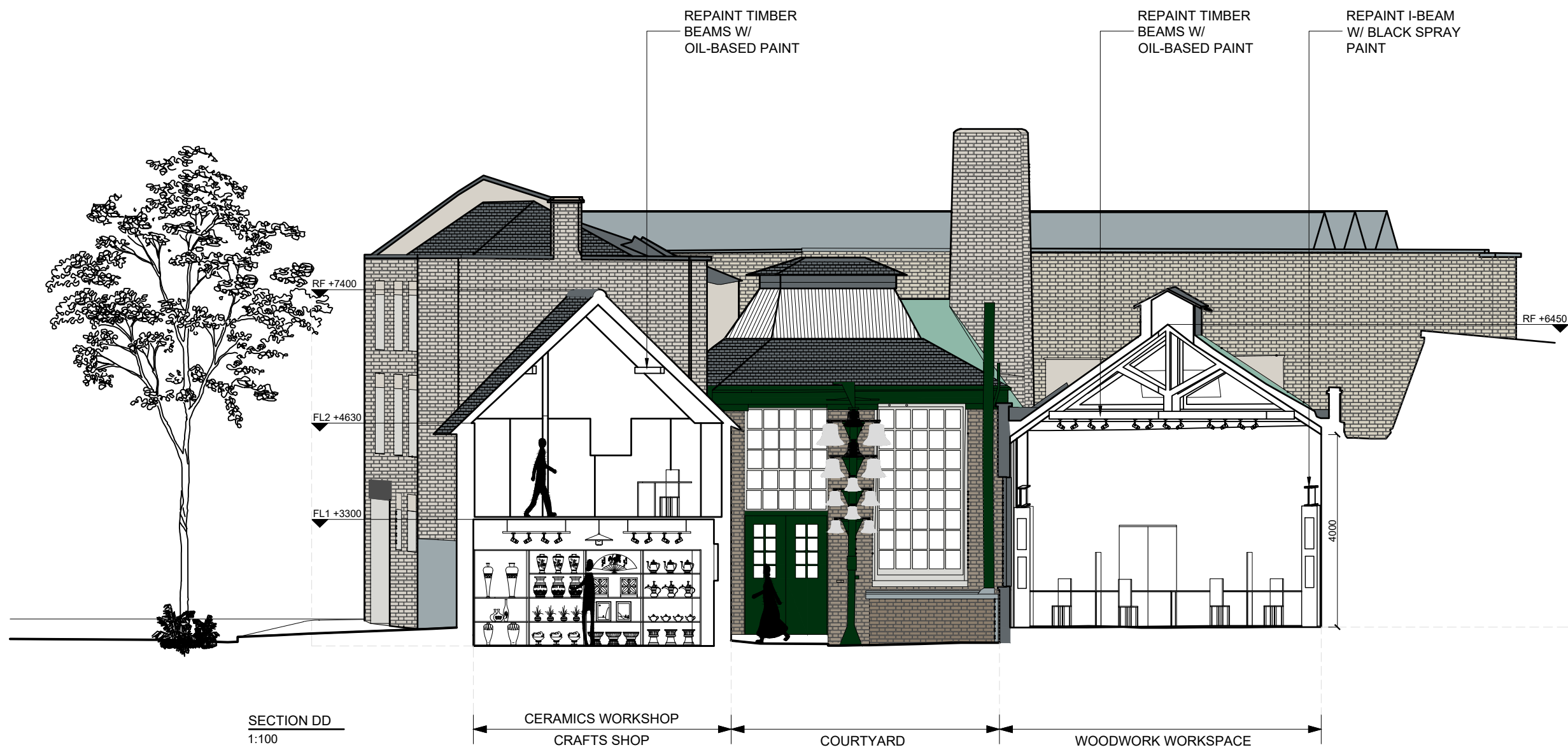
SCALE

1:100 (A3)

DRAWING NO.

SC-03





SECTION DD
1:100



GENERAL NOTES

1. ALL DIMENSIONS ARE IN MILLIMETERS UNLESS OTHERWISE SPECIFIED.
2. DO NOT SCALE THE DRAWINGS.
3. ALL DIMENSIONS SHALL BE VERIFIED ON SITE WITH CONTRACTORS BEFORE PROCEEDING WORK.
4. ALL DESIGNS ARE PROPERTY OF SO PAK LING. NO REPRODUCTION IS PERMITTED WITHOUT CONSENT.

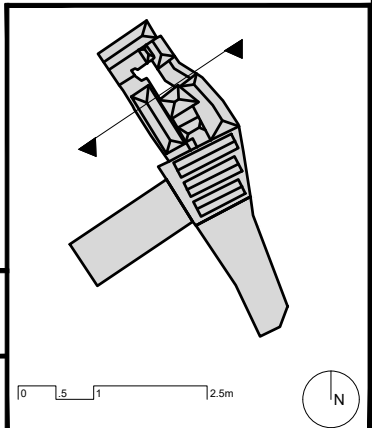
SPECIFIC NOTES

REVISION		
NO.	DATE	ISSUE
01	30 NOV 2020	PROPOSED DESIGN LAYOUT
02	29 MAR 2021	REVISED LAYOUT

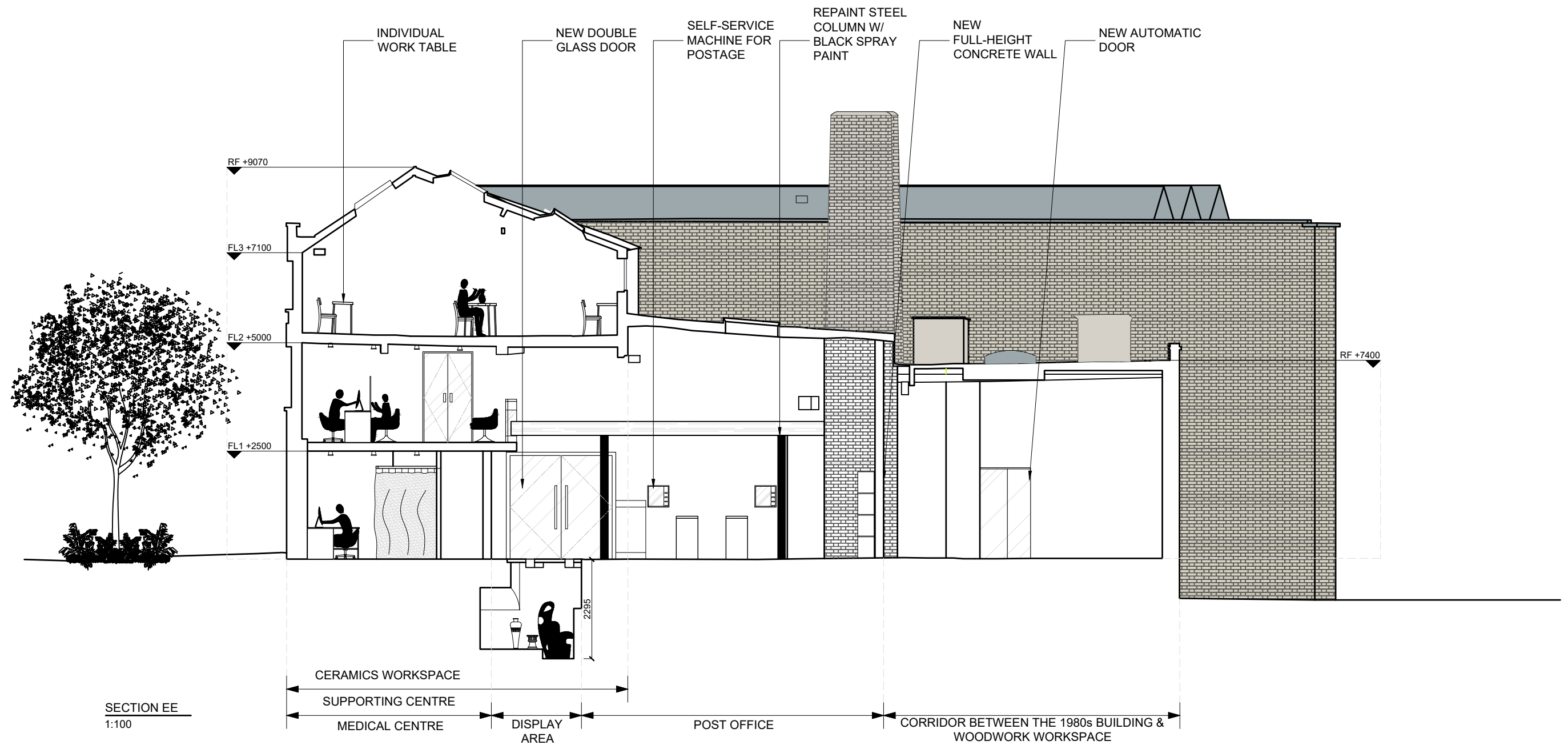
PROJECT TITLE
WHITECHAPEL HANDICRAFT LIBRARY

DRAWING TITLE
SECTION DD

PROJECT NO. FMP-01	DRAWN BY SO PAK LING	SCALE 1:100 (A3)
DATE 29 MAR 2021	REVISION NO. 02	DRAWING NO. SC-04



0 1 2.5m



SECTION EE
1:100

GENERAL NOTES

1. ALL DIMENSIONS ARE IN MILLIMETERS UNLESS OTHERWISE SPECIFIED.
2. DO NOT SCALE THE DRAWINGS.
3. ALL DIMENSIONS SHALL BE VERIFIED ON SITE WITH CONTRACTORS BEFORE PROCEEDING WORK.
4. ALL DESIGNS ARE PROPERTY OF SO PAK LING. NO REPRODUCTION IS PERMITTED WITHOUT CONSENT.

SPECIFIC NOTES

REVISION

NO.	DATE	ISSUE
01	30 NOV 2020	PROPOSED DESIGN LAYOUT
02	29 MAR 2021	REVISED LAYOUT

PROJECT TITLE

WHITECHAPEL HANDICRAFT LIBRARY

DRAWING TITLE

SECTION EE

PROJECT NO.

FMP-01

DATE

29 MAR 2021

DRAWN BY

SO PAK LING

REVISION NO.

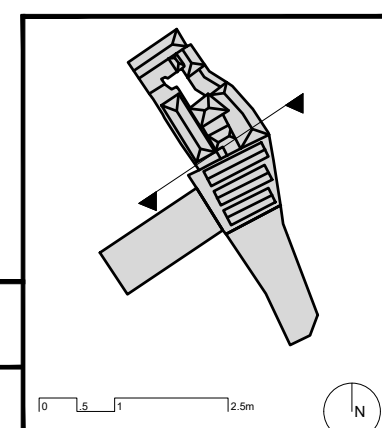
02

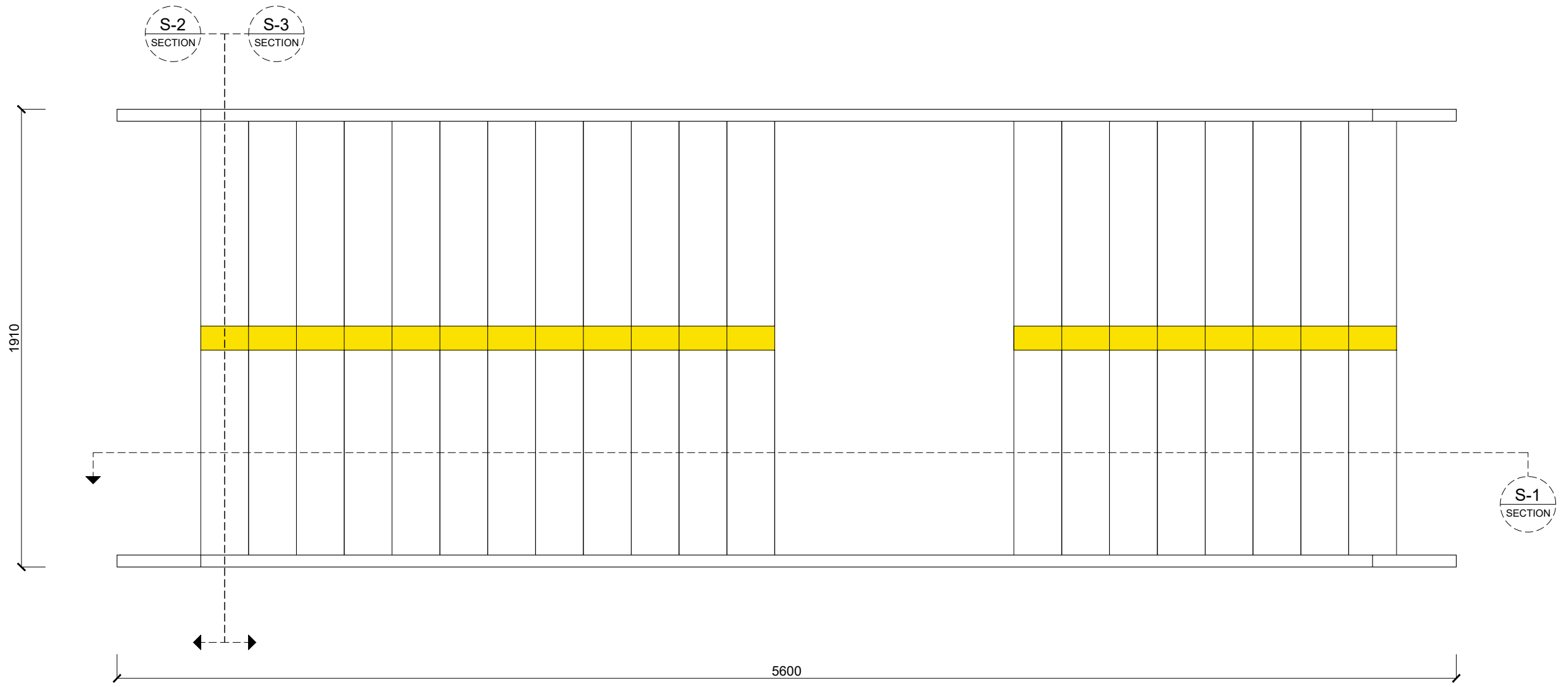
SCALE

1:100 (A3)

DRAWING NO.

SC-05





FLOOR PLAN 1:20
MAIN STAIRCASE



GENERAL NOTES
 1. ALL DIMENSIONS ARE IN MILLIMETERS UNLESS OTHERWISE SPECIFIED.
 2. DO NOT SCALE THE DRAWINGS.
 3. ALL DIMENSIONS SHALL BE VERIFIED ON SITE WITH CONTRACTORS BEFORE PROCEEDING WORK.
 4. ALL DESIGNS ARE PROPERTY OF SO PAK LING. NO REPRODUCTION IS PERMITTED WITHOUT CONSENT.

SPECIFIC NOTES

REVISION		
NO.	DATE	ISSUE

PROJECT TITLE
WHITECHAPEL HANDICRAFT LIBRARY

DRAWING TITLE
MAIN STAIRCASE DETAILING

PROJECT NO.
FMP-01

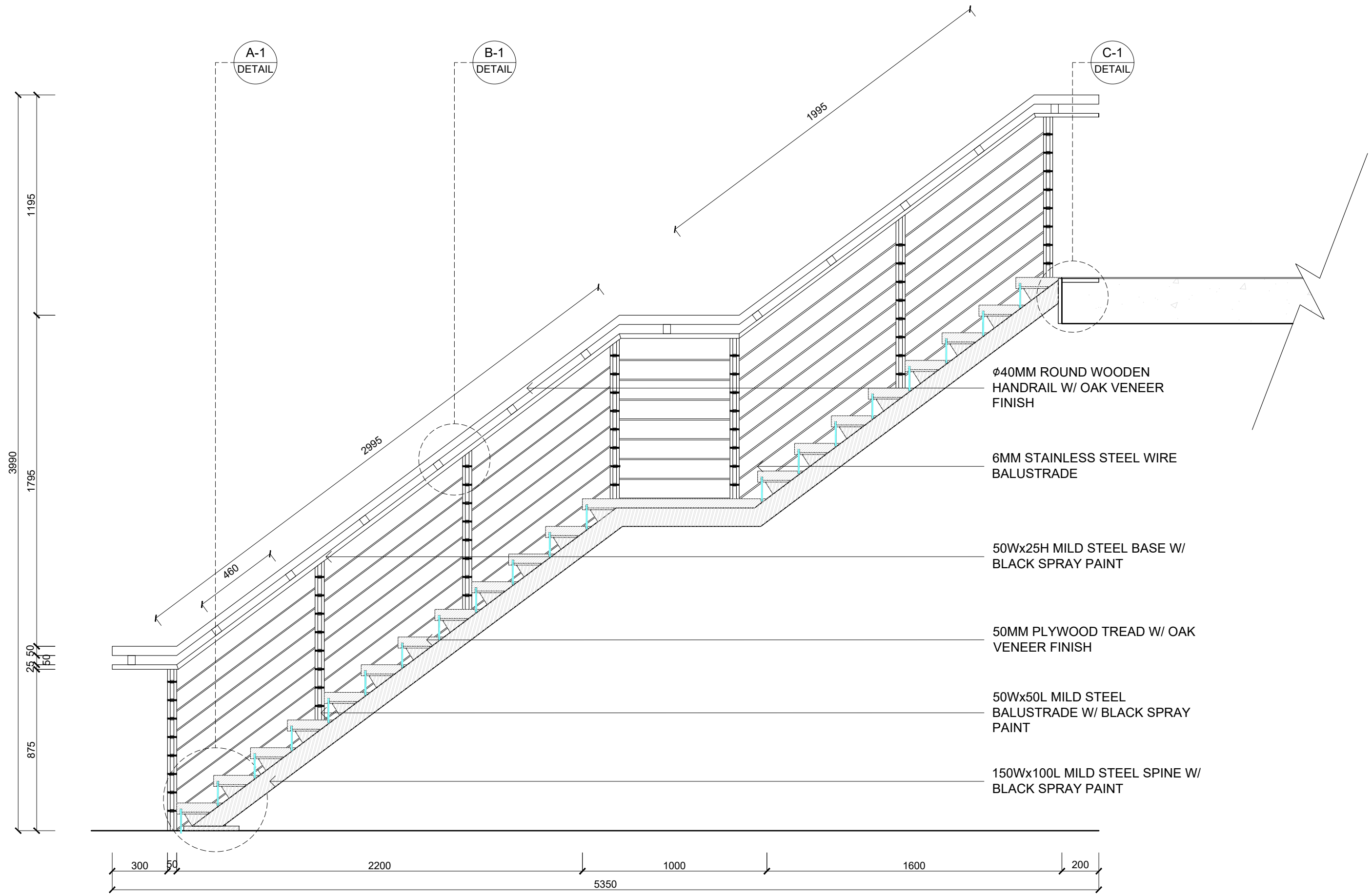
DATE
13 MAR 2021

DRAWN BY
SO PAK LING

REVISION NO.
01

SCALE
1:20 (A3)

DRAWING NO.
DE-01-01



SECTION S-1 1:20
MAIN STAIRCASE



GENERAL NOTES

1. ALL DIMENSIONS ARE IN MILLIMETERS UNLESS OTHERWISE SPECIFIED.
2. DO NOT SCALE THE DRAWINGS.
3. ALL DIMENSIONS SHALL BE VERIFIED ON SITE WITH CONTRACTORS BEFORE PROCEEDING WORK.
4. ALL DESIGNS ARE PROPERTY OF SO PAK LING. NO REPRODUCTION IS PERMITTED WITHOUT CONSENT.

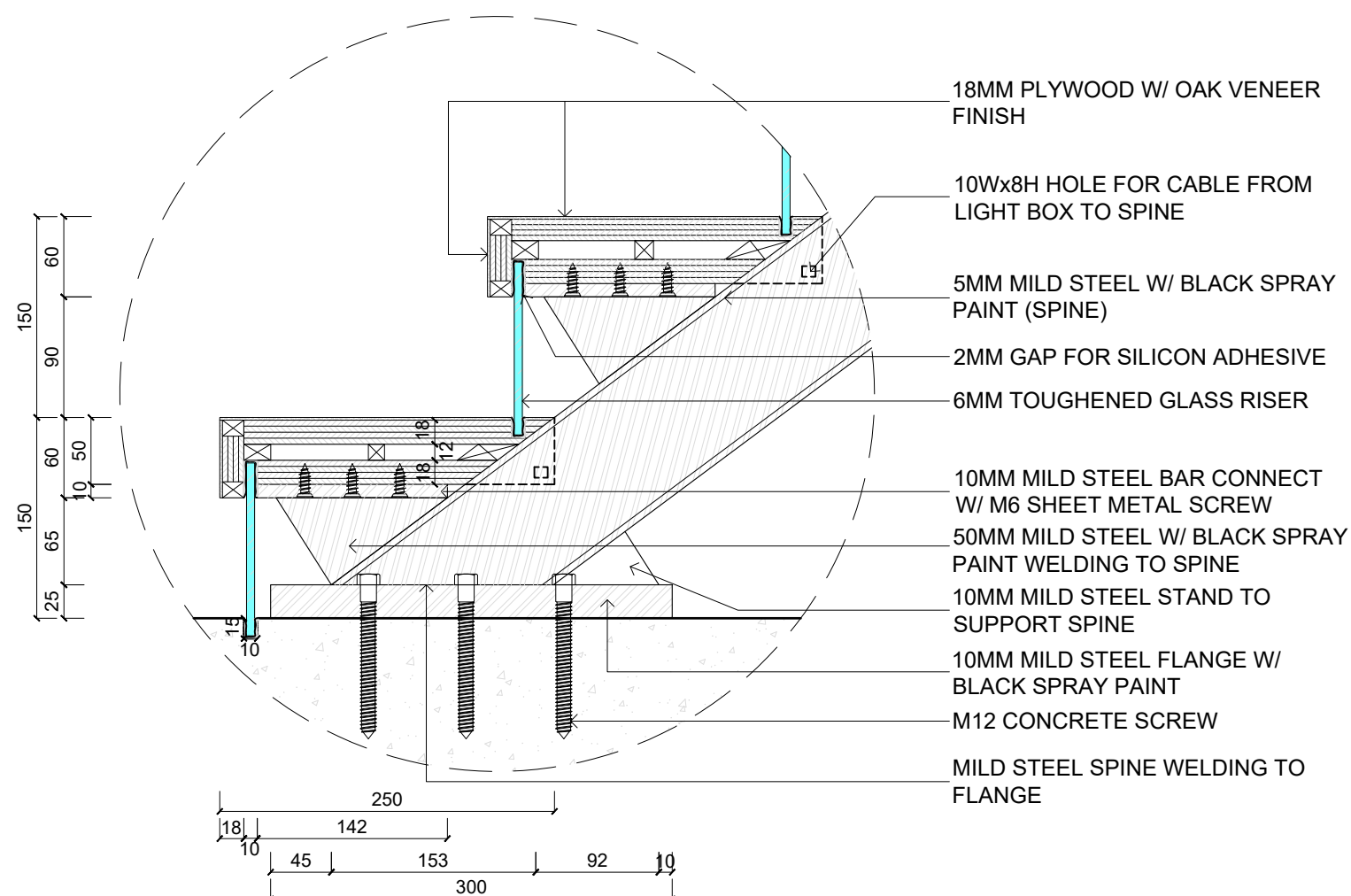
SPECIFIC NOTES

REVISION		
NO.	DATE	ISSUE

PROJECT TITLE
WHITECHAPEL HANDICRAFT LIBRARY

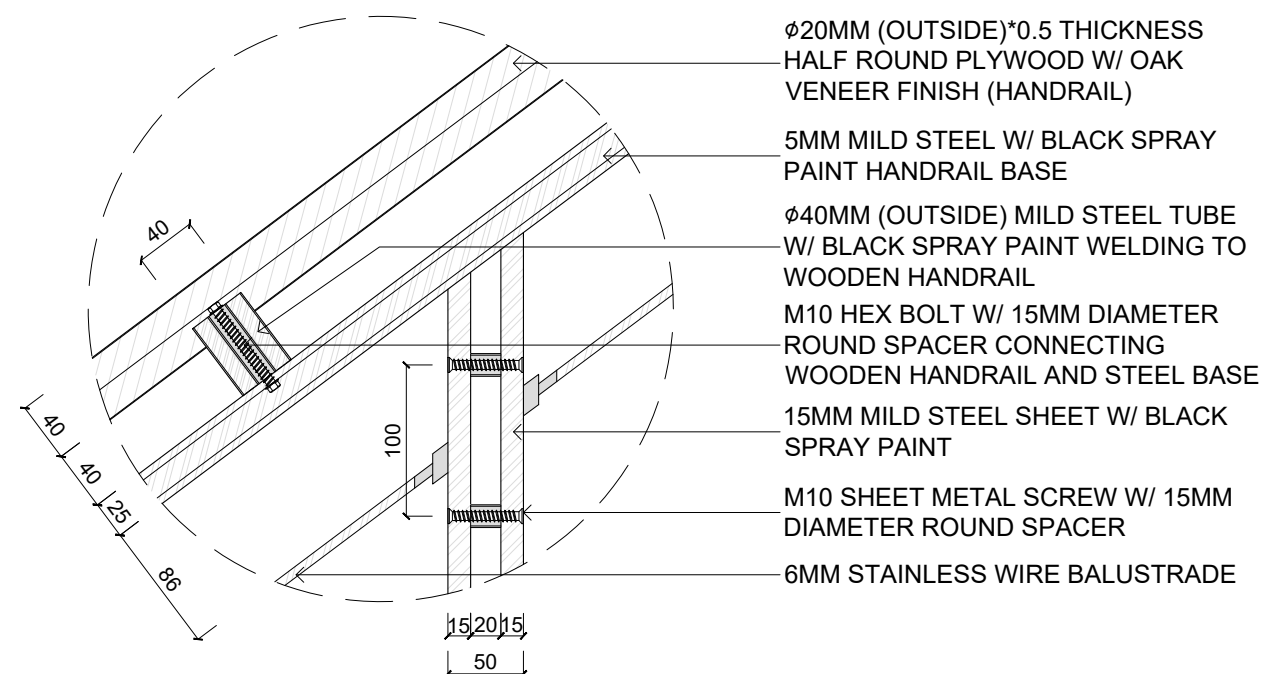
DRAWING TITLE
MAIN STAIRCASE DETAILING

PROJECT NO. FMP-01	DRAWN BY SO PAK LING	SCALE 1:20 (A3)
DATE 13 MAR 2021	REVISION NO. 01	DRAWING NO. DE-01-02



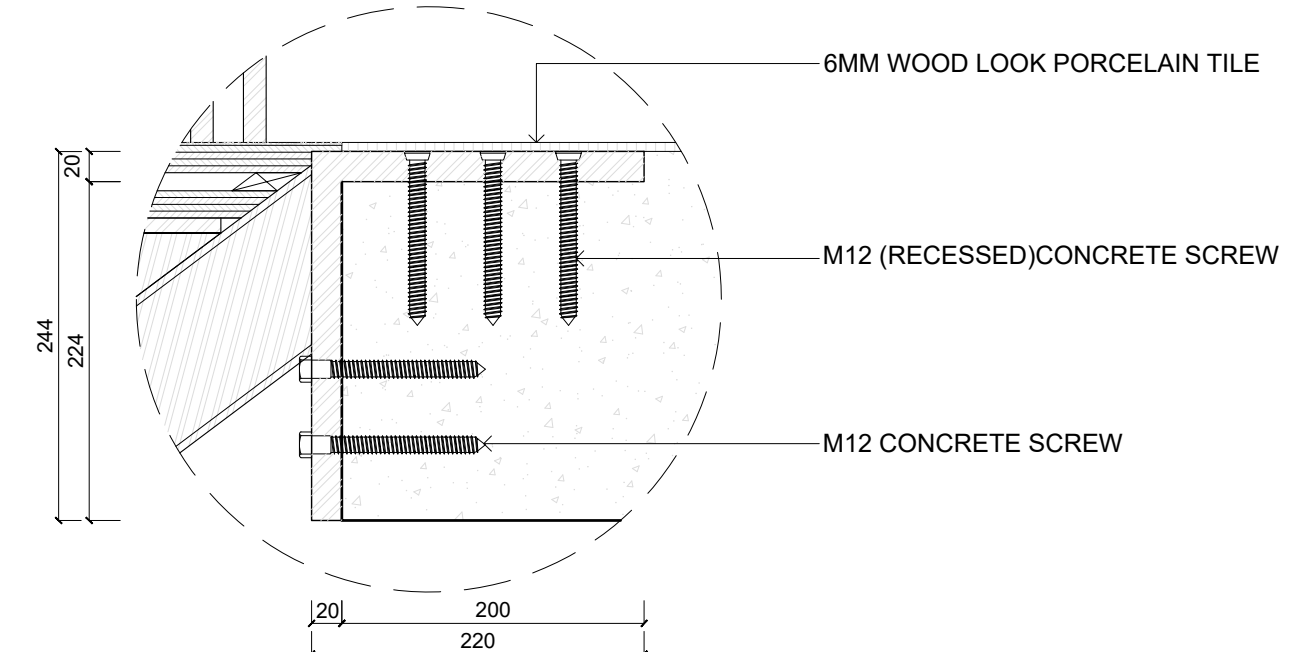
DETAIL A-1 1:5
 MAIN STAIRCASE STRUCTURE
 (CONNECTING TO FLOOR)

- 18MM PLYWOOD W/ OAK VENEER FINISH
- 10Wx8H HOLE FOR CABLE FROM LIGHT BOX TO SPINE
- 5MM MILD STEEL W/ BLACK SPRAY PAINT (SPINE)
- 2MM GAP FOR SILICON ADHESIVE
- 6MM TOUGHENED GLASS RISER
- 10MM MILD STEEL BAR CONNECT W/ M6 SHEET METAL SCREW
- 50MM MILD STEEL W/ BLACK SPRAY PAINT WELDING TO SPINE
- 10MM MILD STEEL STAND TO SUPPORT SPINE
- 10MM MILD STEEL FLANGE W/ BLACK SPRAY PAINT
- M12 CONCRETE SCREW
- MILD STEEL SPINE WELDING TO FLANGE



DETAIL B-1 1:5
 MAIN STAIRCASE HANDRAIL

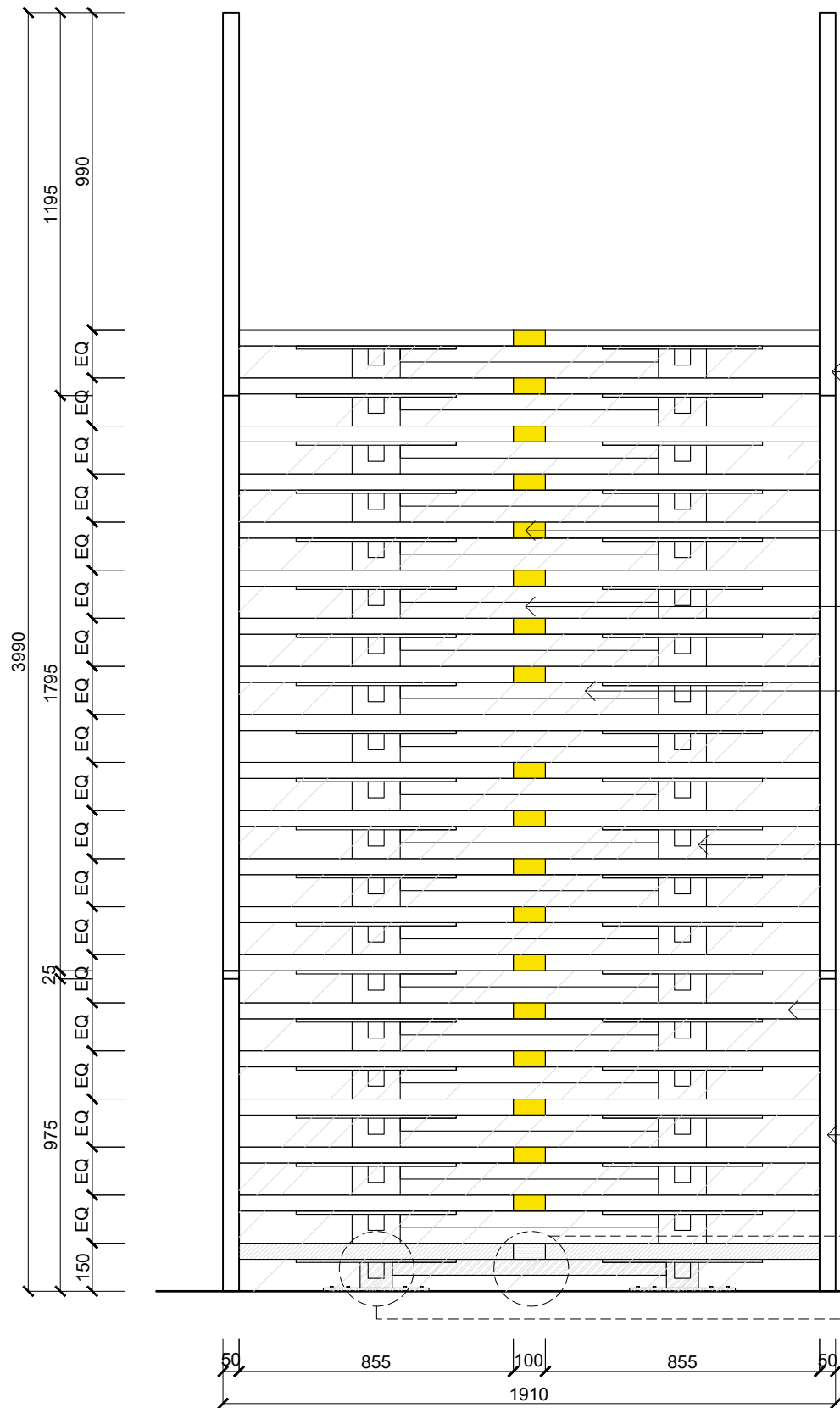
- Ø20MM (OUTSIDE)*0.5 THICKNESS HALF ROUND PLYWOOD W/ OAK VENEER FINISH (HANDRAIL)
- 5MM MILD STEEL W/ BLACK SPRAY PAINT HANDRAIL BASE
- Ø40MM (OUTSIDE) MILD STEEL TUBE W/ BLACK SPRAY PAINT WELDING TO WOODEN HANDRAIL
- M10 HEX BOLT W/ 15MM DIAMETER ROUND SPACER CONNECTING WOODEN HANDRAIL AND STEEL BASE
- 15MM MILD STEEL SHEET W/ BLACK SPRAY PAINT
- M10 SHEET METAL SCREW W/ 15MM DIAMETER ROUND SPACER
- 6MM STAINLESS WIRE BALUSTRADE



DETAIL C-1 1:5
 MAIN STAIRCASE STRUCTURE
 (CONNECTING TO PLATFORM)

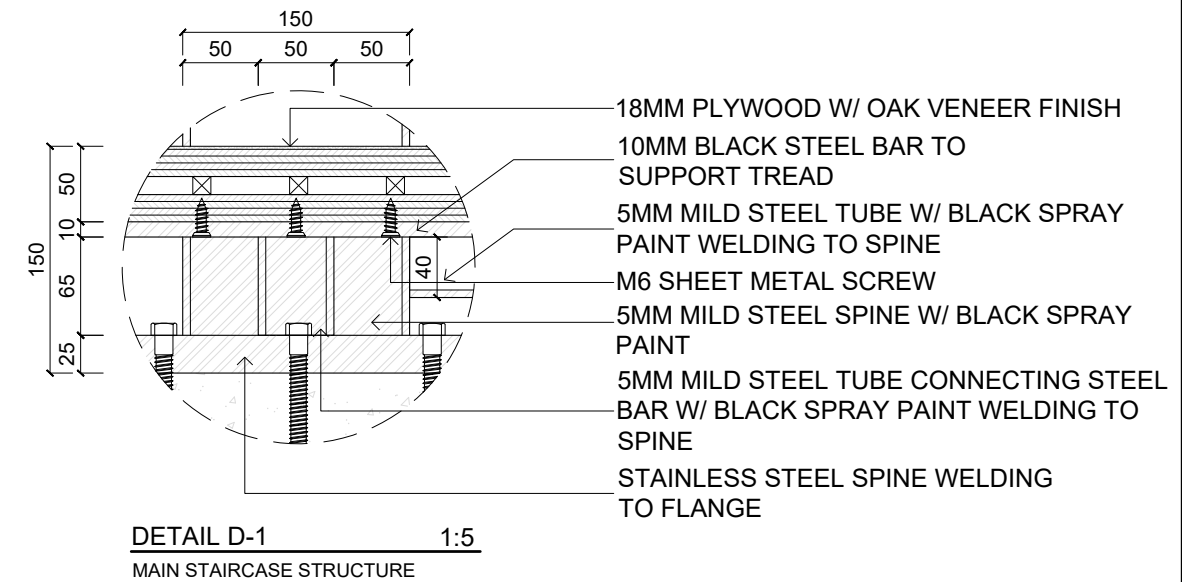
- 6MM WOOD LOOK PORCELAIN TILE
- M12 (RECESSED) CONCRETE SCREW
- M12 CONCRETE SCREW

	GENERAL NOTES 1. ALL DIMENSIONS ARE IN MILLIMETERS UNLESS OTHERWISE SPECIFIED. 2. DO NOT SCALE THE DRAWINGS. 3. ALL DIMENSIONS SHALL BE VERIFIED ON SITE WITH CONTRACTORS BEFORE PROCEEDING WORK. 4. ALL DESIGNS ARE PROPERTY OF SO PAK LING. NO REPRODUCTION IS PERMITTED WITHOUT CONSENT.	SPECIFIC NOTES	REVISION <table border="1" style="width: 100%; border-collapse: collapse;"> <thead> <tr> <th style="width: 5%;">NO.</th> <th style="width: 10%;">DATE</th> <th style="width: 85%;">ISSUE</th> </tr> </thead> <tbody> <tr><td> </td><td> </td><td> </td></tr> <tr><td> </td><td> </td><td> </td></tr> <tr><td> </td><td> </td><td> </td></tr> </tbody> </table>	NO.	DATE	ISSUE										PROJECT TITLE WHITECHAPEL HANDICRAFT LIBRARY	PROJECT NO. FMP-01	DRAWN BY SO PAK LING	SCALE AS SHOWN (A3)
	NO.	DATE	ISSUE																
DRAWING TITLE MAIN STAIRCASE DETAILING	DATE 13 MAR 2021	REVISION NO. 01	DRAWING NO. DE-01-03																

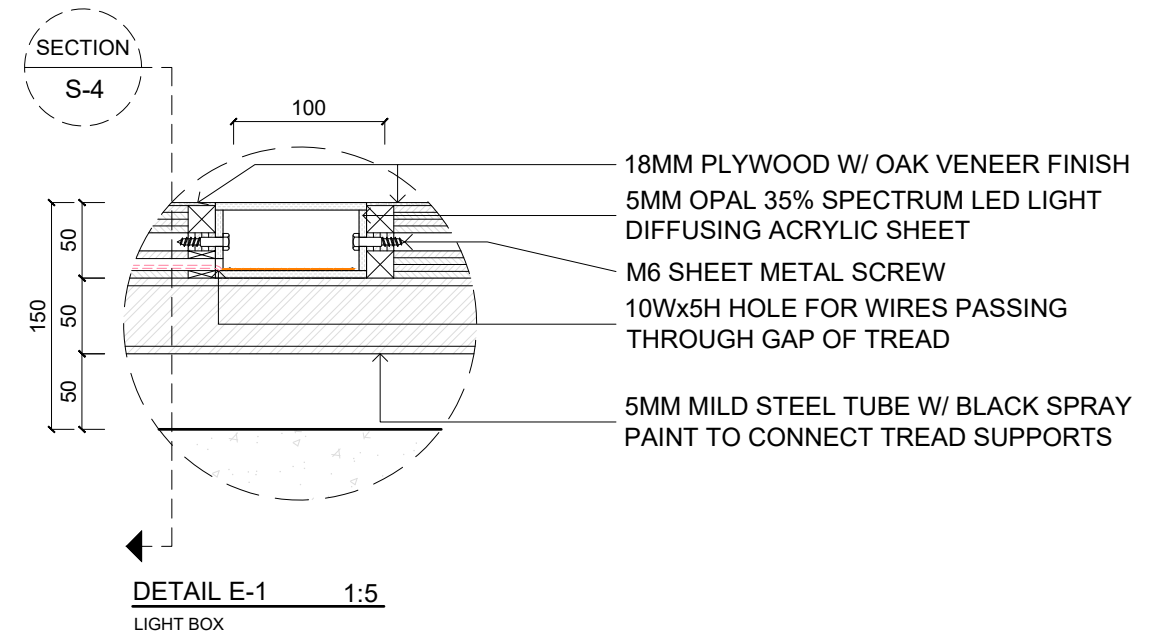


- 50Wx25H MILD STEEL BASE W/
BLACK SPRAY PAINT AND 40MM
ROUND WOODEN HANDRAIL W/
OAK VENEER FINISH
- 5MM ACRYLIC LIGHT BOX W/ LED
STRIPS
- 6MM TOUGHENED GLASS RISER
- 50Wx50H MILD STEEL TUBE W/
BLACK SPRAY PAINT TO CONNECT
TREAD SUPPORT
- 150Wx100L MILD STEEL SPINE W/
BLACK SPRAY PAINT
- 50MM PLYWOOD TREAD W/ OAK
VENEER FINISH
- 50Wx50L BLACK STEEL
BALUSTRADE W/ COLOUR SPRAY
PAINT
- (E-1)
DETAIL
- (D-1)
DETAIL

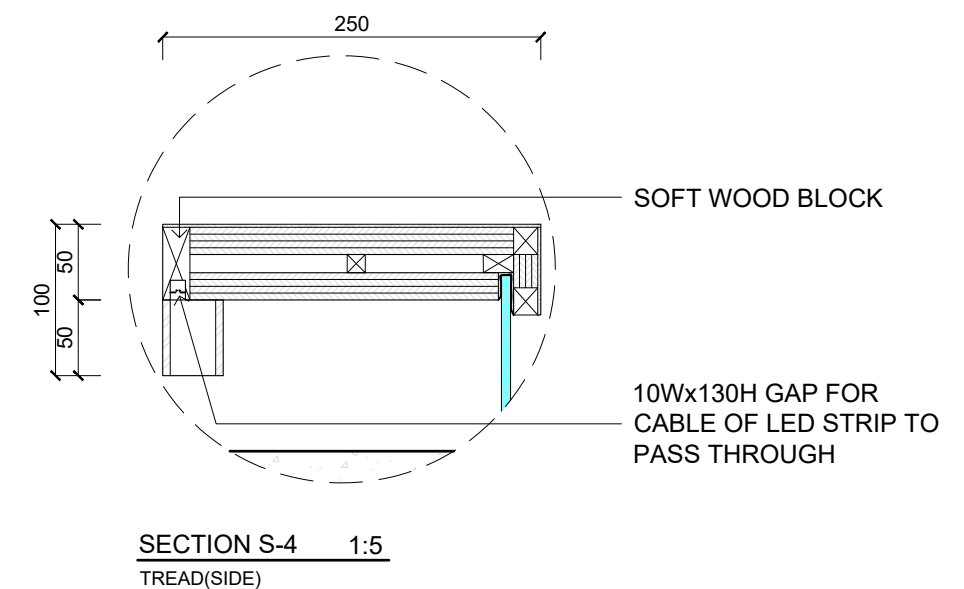
SECTION S-2 1:20
MAIN STAIRCASE



DETAIL D-1 1:5
MAIN STAIRCASE STRUCTURE



DETAIL E-1 1:5
LIGHT BOX



SECTION S-4 1:5
TREAD(SIDE)



GENERAL NOTES
 1. ALL DIMENSIONS ARE IN MILLIMETERS UNLESS OTHERWISE SPECIFIED.
 2. DO NOT SCALE THE DRAWINGS.
 3. ALL DIMENSIONS SHALL BE VERIFIED ON SITE WITH CONTRACTORS BEFORE PROCEEDING WORK.
 4. ALL DESIGNS ARE PROPERTY OF SO PAK LING. NO REPRODUCTION IS PERMITTED WITHOUT CONSENT.

SPECIFIC NOTES

REVISION		
NO.	DATE	ISSUE

PROJECT TITLE
WHITECHAPEL HANDICRAFT LIBRARY

DRAWING TITLE
MAIN STAIRCASE DETAILING

PROJECT NO.
FMP-01

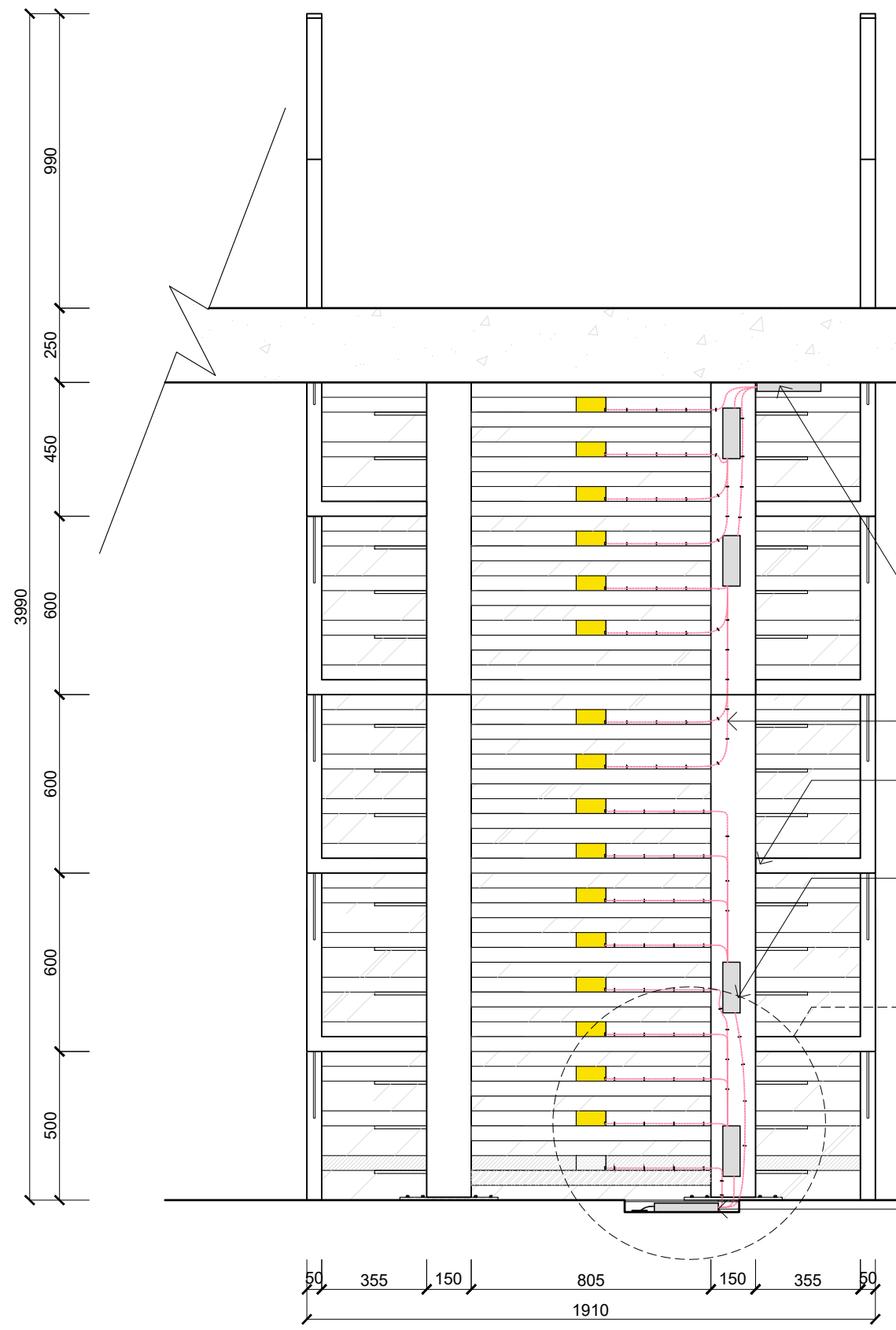
DATE
13 MAR 2021

DRAWN BY
SO PAK LING

REVISION NO.
01

SCALE
AS SHOWN (A3)

DRAWING NO.
DE-01-04

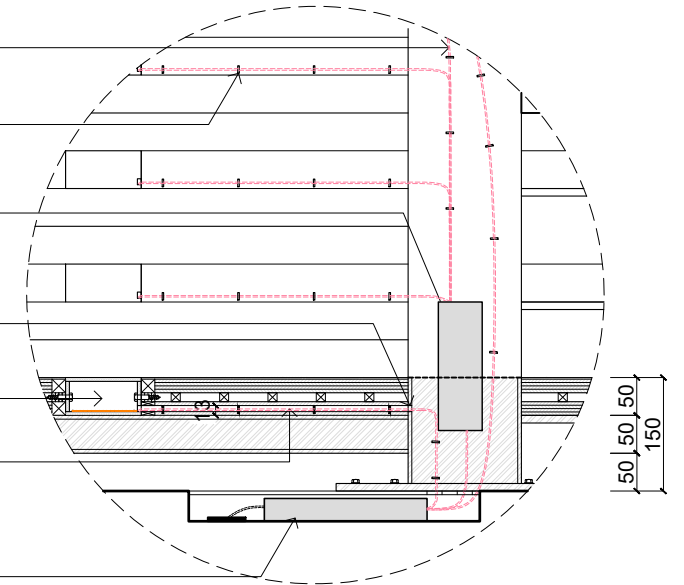


SECTION S-3 1:20
MAIN STAIRCASE



FIG. 7

CABLE CONNECTING LED STRIP TO POWER
 10MM SILICON MOUNTING CLIP W/ SCREWS
 4-CHANNEL WIRELESS RECEIVER (170L*58W*30H)
 10Wx8H HOLE FOR CABLE PASS THROUGH SPINE AND CONNECT TO POWER SUPPLY
 ACRYLIC LIGHT BOX (DETAIL F-2)
 GAP FOR CABLE PASS THROUGH TREAD AND CONNECT TO POWER SUPPLY



50 | 50 | 50 | 150

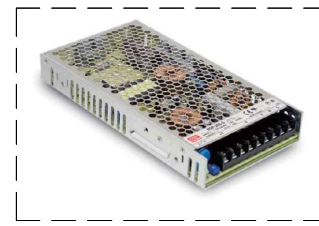


FIG. 8

MEAN WELL 200W LED DRIVER W/ 3 OUTPUT SLOT (215L*115W*30H)

DETAIL F-1 1:10
LED STRIPS

MEAN WELL 200WATT LED DRIVER (RSP-200-12) ATTACH TO CEILING
 CABLE OF LED STRIP PASS THROUGH SPINE
 BLACK STEEL BALUSTRADE WELDING TO SPINE
 INSTYLE MULTICHANNEL WIRELESS RECEIVER INSTALL INSIDE SPINE (4-CHANNEL, 12V)

F-1
DETAIL

MEAN WELL 200WATT LED DRIVER (RSP-200-12) CONNECTING TO SOCKET UNDERGROUND W/ 20MM HOLES TO RELEASE HEAT



FIG. 9

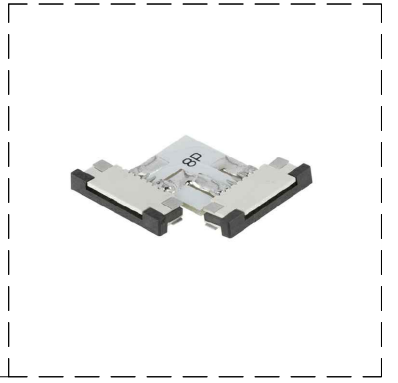
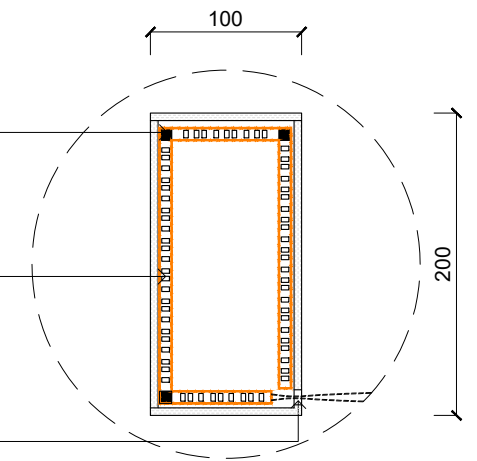


FIG. 10

8MM FLEXIBLE LIGHT STRIP 90 DEGREE CONNECT

8MM 10WATT WHITE LED STRIP

10Wx8H HOLE FOR WIRES



DETAIL F-2 1:5
LIGHT BOX(TOP)

GENERAL NOTES
 1. ALL DIMENSIONS ARE IN MILLIMETERS UNLESS OTHERWISE SPECIFIED. DO NOT SCALE THE DRAWINGS.
 2. ALL DIMENSIONS SHALL BE VERIFIED ON SITE WITH CONTRACTORS BEFORE PROCEEDING WORK.
 3. ALL DESIGNS ARE PROPERTY OF SO PAK LING. NO REPRODUCTION IS PERMITTED WITHOUT CONSENT.

SPECIFIC NOTES
 1. MATERIAL AND LOOSE FURNITURE ARE SUBJECT TO CHANGE UPON AVAILABILITY
 REFERENCE
 FIG. 7 Instyle LED (2017) 4-Channel LED Receiver (8mm) (print) available from: www.instyleled.com/instyle-led-receiver (11 March 2021)
 FIG. 8 Mean Well LED (2021) 4-Channel LED Receiver (8mm) (print) available from: www.meanwell.com/LED-Receivers (11 March 2021)
 FIG. 9 8mm Flexible LED (2017) 90 Degree Connect (print) available from: www.meanwell.com/LED-Receivers (11 March 2021)
 FIG. 10 8mm Flexible LED (2017) 90 Degree Connect (print) available from: www.meanwell.com/LED-Receivers (11 March 2021)

REVISION		
NO.	DATE	ISSUE

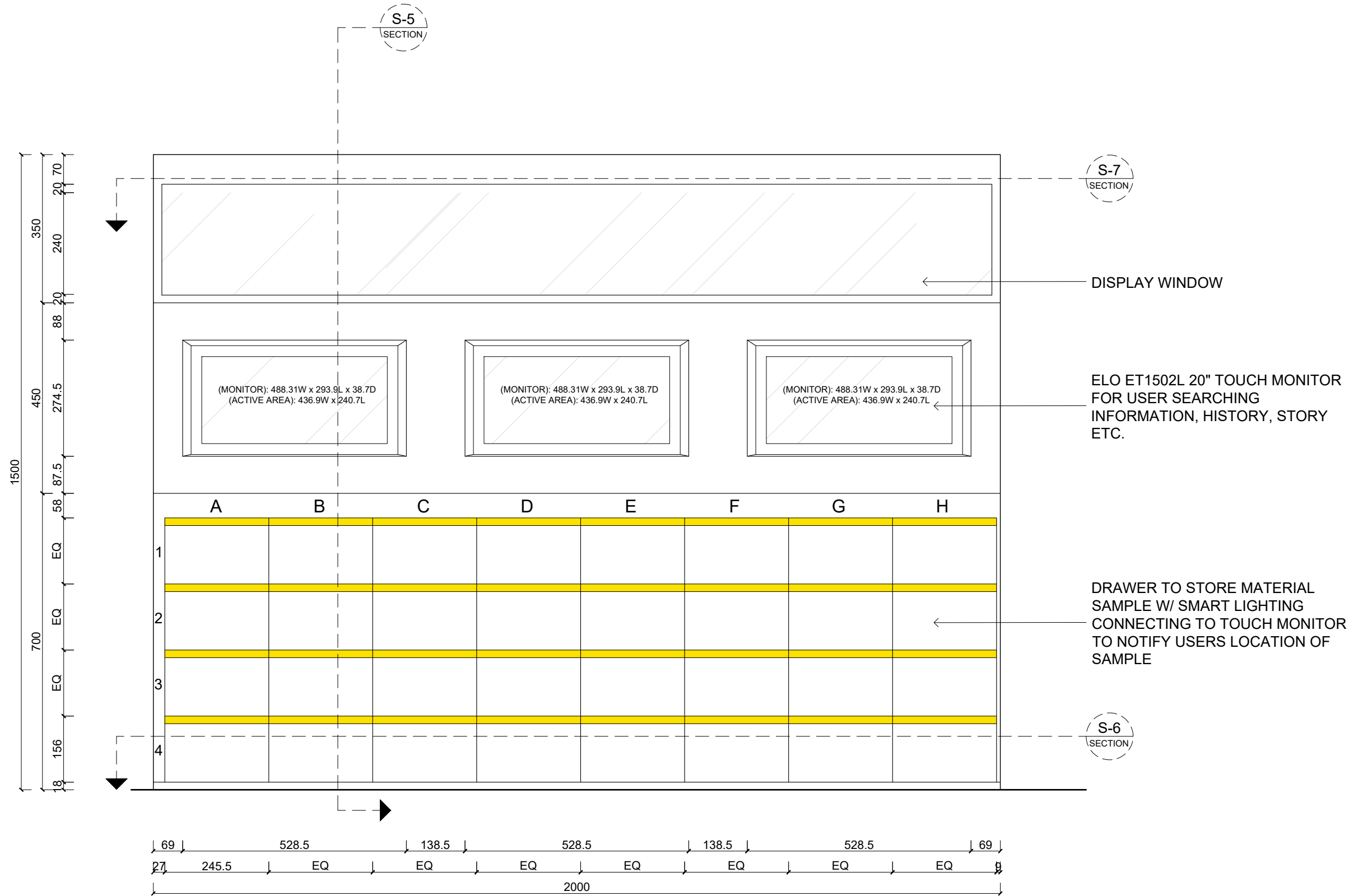
PROJECT TITLE
 WHITECHAPEL HANDICRAFT LIBRARY
 DRAWING TITLE
 MAIN STAIRCASE DETAILING

PROJECT NO.
 FMP-01
 DATE
 13 MAR 2021

DRAWN BY
 SO PAK LING
 REVISION NO.
 01

SCALE
 AS SHOWN (A3)
 DRAWING NO.
 DE-01-05





ELEVATION (FRONT) 1:10
MATERIAL LIBRARY



GENERAL NOTES

1. ALL DIMENSIONS ARE IN MILLIMETERS UNLESS OTHERWISE SPECIFIED. DO NOT SCALE THE DRAWINGS.
2. ALL DIMENSIONS SHALL BE VERIFIED ON SITE WITH CONTRACTORS BEFORE PROCEEDING WORK.
3. ALL DESIGNS ARE PROPERTY OF SO PAK LING. NO REPRODUCTION IS PERMITTED WITHOUT CONSENT.

SPECIFIC NOTES

1. MATERIAL AND LOOSE FURNITURE ARE SUBJECT TO CHANGE UPON AVAILABILITY
- REFERENCE
 FIG.5 BLT Direct Ltd. (2021) 2 Metre Recessed Surface Black LED Profile P4 (15mm x 7mm) C/W Clear Cover [online] available from https://www.3dmod.com/2-metre-recessed-surface-black-led-profile-p4-15mm-x-7mm-rad-dot-pla&gsid=CJOKCQWl7YC8QJLUPRlAMWfScMzZ28Qc-AJsmD8ATTBBLW9S6u5VlgerS8B3CJuphC3XFLjR8BwaW9WEALn_wcdB-15 March 2021
 FIG.6 Elsy (2021) Wine Red Premium 100% Cotton Velvet Fabric Material - 112cm (44") wide [online] available from <https://www.etsy.com/listing/327329260/wine-red-premium-100-cotton-velvet-112> March 2021

REVISION

NO.	DATE	ISSUE

PROJECT TITLE

WHITECHAPEL HANDICRAFT LIBRARY

DRAWING TITLE

MATERIAL LIBRARY DETAILING

PROJECT NO.

FMP-01

DATE

15 MAR 2021

DRAWN BY

SO PAK LING

REVISION NO.

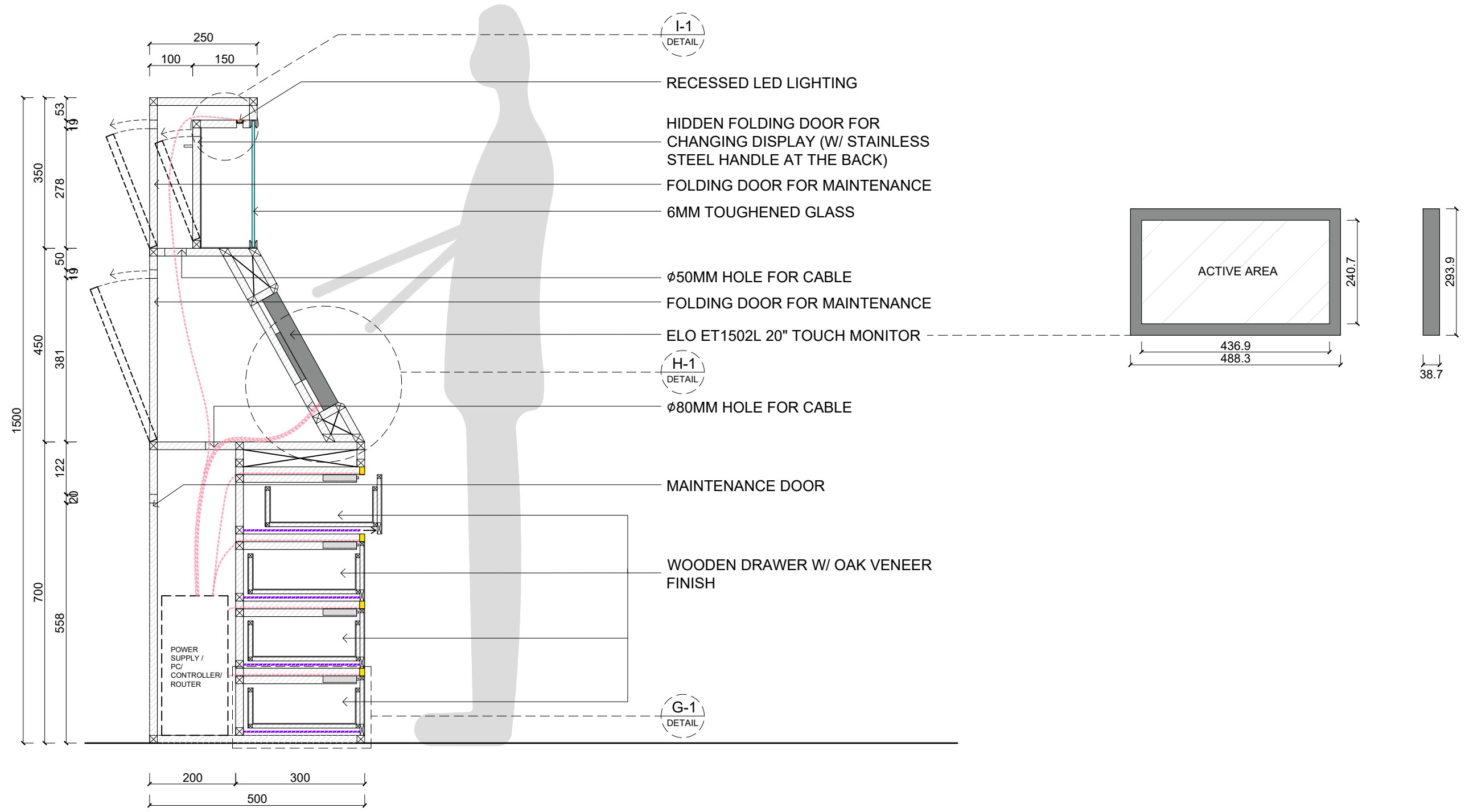
01

SCALE

1:10 (A3)

DRAWING NO.

DE-02-01



SECTION S-5 1:10
MATERIAL LIBRARY



GENERAL NOTES

1. ALL DIMENSIONS ARE IN MILLIMETERS UNLESS OTHERWISE SPECIFIED.
2. DO NOT SCALE THE DRAWINGS.
3. ALL DIMENSIONS SHALL BE VERIFIED ON SITE WITH CONTRACTORS BEFORE PROCEEDING WORK.
4. ALL DESIGNS ARE PROPERTY OF SO PAK LING. NO REPRODUCTION IS PERMITTED WITHOUT CONSENT.

SPECIFIC NOTES

REVISION		
NO.	DATE	ISSUE

PROJECT TITLE WHITECHAPEL HANDICRAFT LIBRARY	PROJECT NO. FMP-01	DRAWN BY SO PAK LING	SCALE 1:10 (A3)
DRAWING TITLE MATERIAL LIBRARY DETAILING	DATE 15 MAR 2021	REVISION NO. 01	DRAWING NO. DE-02-02

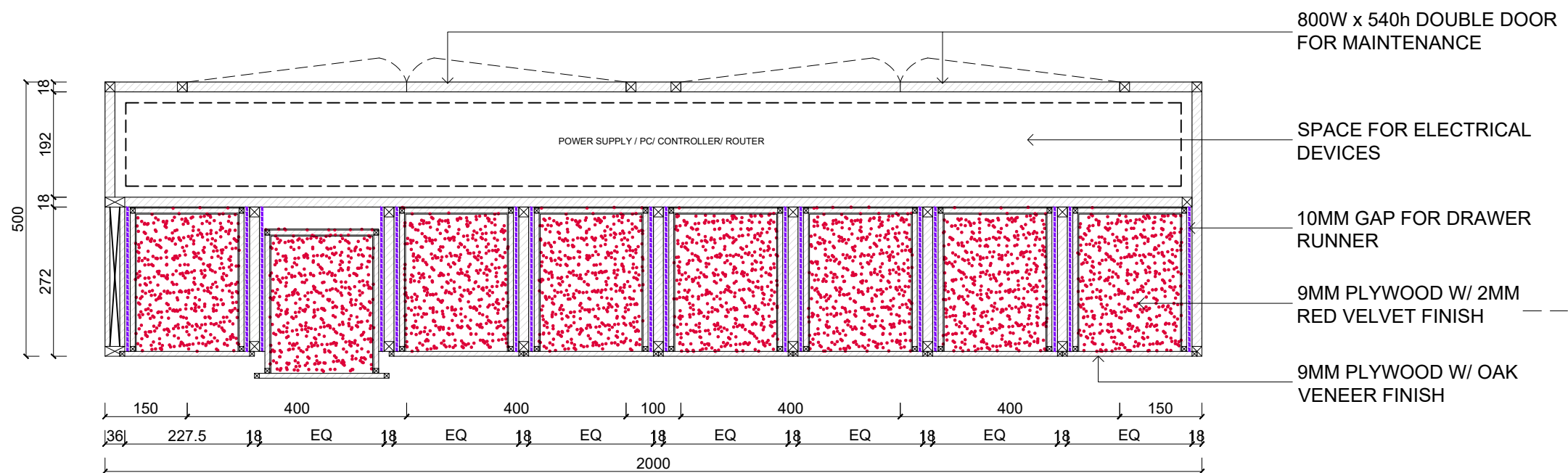


FIG.11

SECTION S-6 1:10
MATERIAL LIBRARY - DRAWER

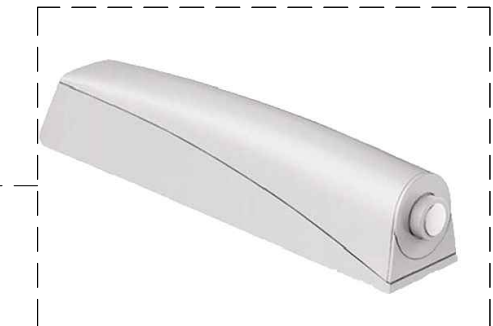
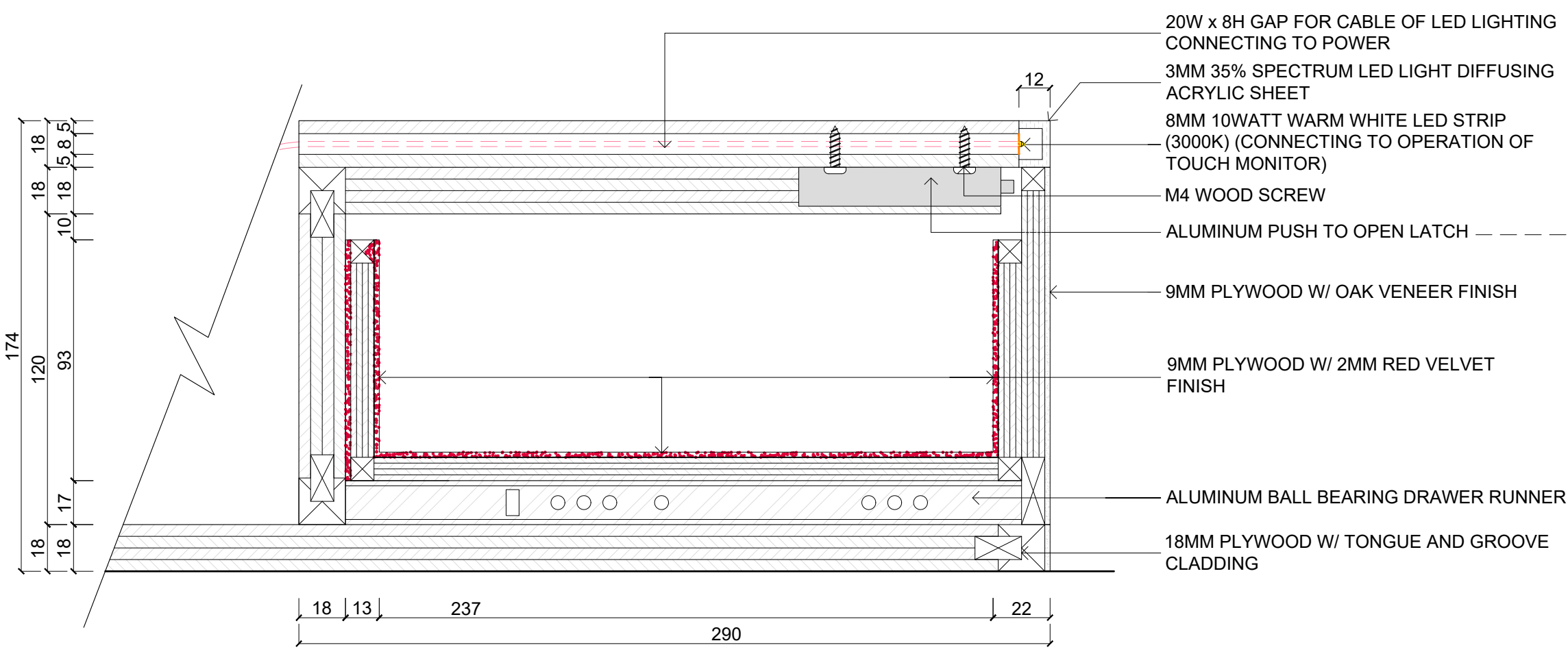
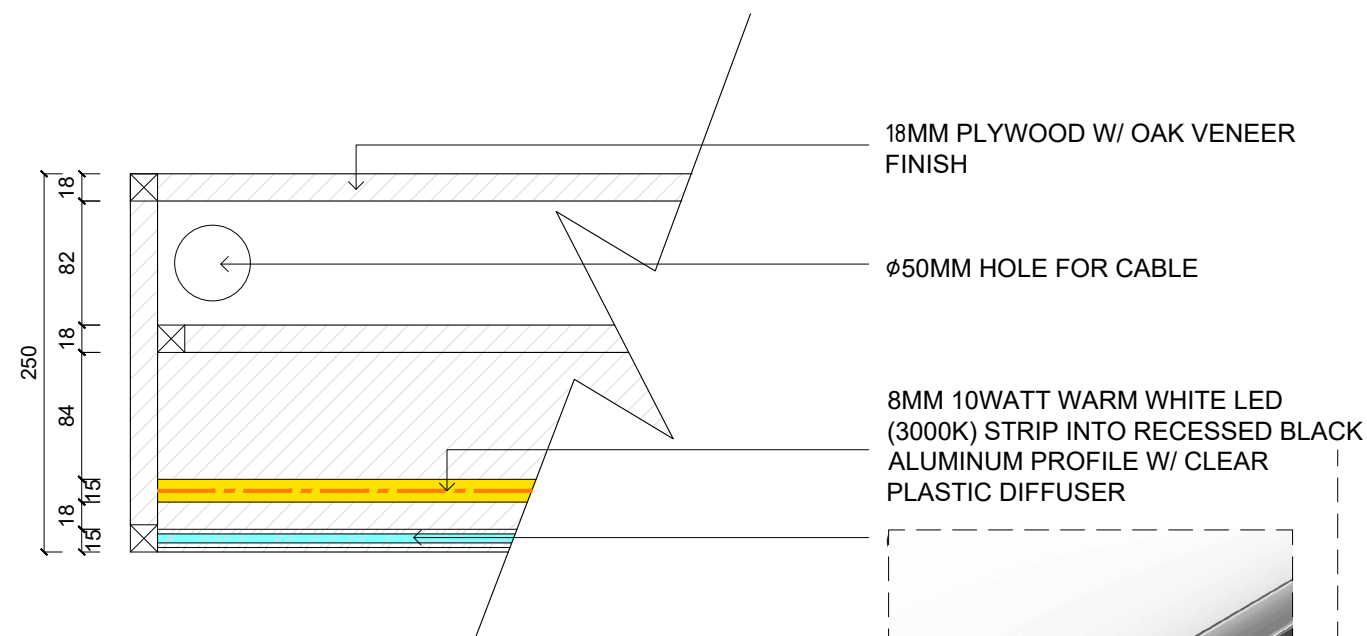


FIG.12

DETAIL G-1 1:2
MATERIAL SAMPLE DRAWER

	GENERAL NOTES 1. ALL DIMENSIONS ARE IN MILLIMETERS UNLESS OTHERWISE SPECIFIED. DO NOT SCALE THE DRAWINGS. 2. ALL DIMENSIONS SHALL BE VERIFIED ON SITE WITH CONTRACTORS BEFORE PROCEEDING WORK. 3. ALL DESIGNS ARE PROPERTY OF SO PAK LING. NO REPRODUCTION IS PERMITTED WITHOUT CONSENT.		SPECIFIC NOTES 1. MATERIAL AND LOOSE FURNITURE ARE SUBJECT TO CHANGE UPON AVAILABILITY. <small>REFERENCE FIG.11 (Rev. 2021) Blue Red Premium 100% Cotton Velvet Fabric Material - 112cm (44") wide (pdf) available from: https://www.etsy.com/listing/102792686/blue-red-premium-100-cotton-velvet-112cm-44-wide (15 March 2021) FIG.12 (Rev. 2021) Push to Open Door Cabinet Latch of Pink Magnetic Cabinet Push Latch Release for Kitchen Cabinet Drawer (Metallic) Door Closure (Aluminum) Push Open Call for Riv (Design) (pdf) available from: https://www.etsy.com/listing/106363020/pink-magnetic-cabinet-push-latch-release-for-kitchen-cabinet-drawer-metallic-door-closure-aluminum-push-open-call-for-riv (15 March 2021)</small>		REVISION <table border="1"> <thead> <tr> <th>NO.</th> <th>DATE</th> <th>ISSUE</th> </tr> </thead> <tbody> <tr> <td>01</td> <td>15 MAR 2021</td> <td>PROPOSED DESIGN LAYOUT</td> </tr> <tr> <td>02</td> <td>11 APR 2021</td> <td>UPDATED LAYOUT AS PER ADVICES</td> </tr> </tbody> </table>		NO.	DATE	ISSUE	01	15 MAR 2021	PROPOSED DESIGN LAYOUT	02	11 APR 2021	UPDATED LAYOUT AS PER ADVICES	PROJECT TITLE WHITECHAPEL HANDICRAFT LIBRARY		PROJECT NO. FMP-01		DRAWN BY SO PAK LING		SCALE AS SHOWN (A3)	
	NO.	DATE	ISSUE																				
	01	15 MAR 2021	PROPOSED DESIGN LAYOUT																				
02	11 APR 2021	UPDATED LAYOUT AS PER ADVICES																					
DRAWING TITLE MATERIAL LIBRARY DETAILING				DATE 11 APR 2021		REVISION NO. 02		DRAWING NO. DE-02-03															



SECTION S-7 1:5
MATERIAL LIBRARY - DISPLAY WINDOW

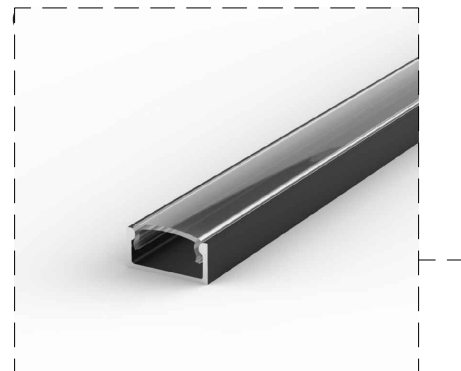
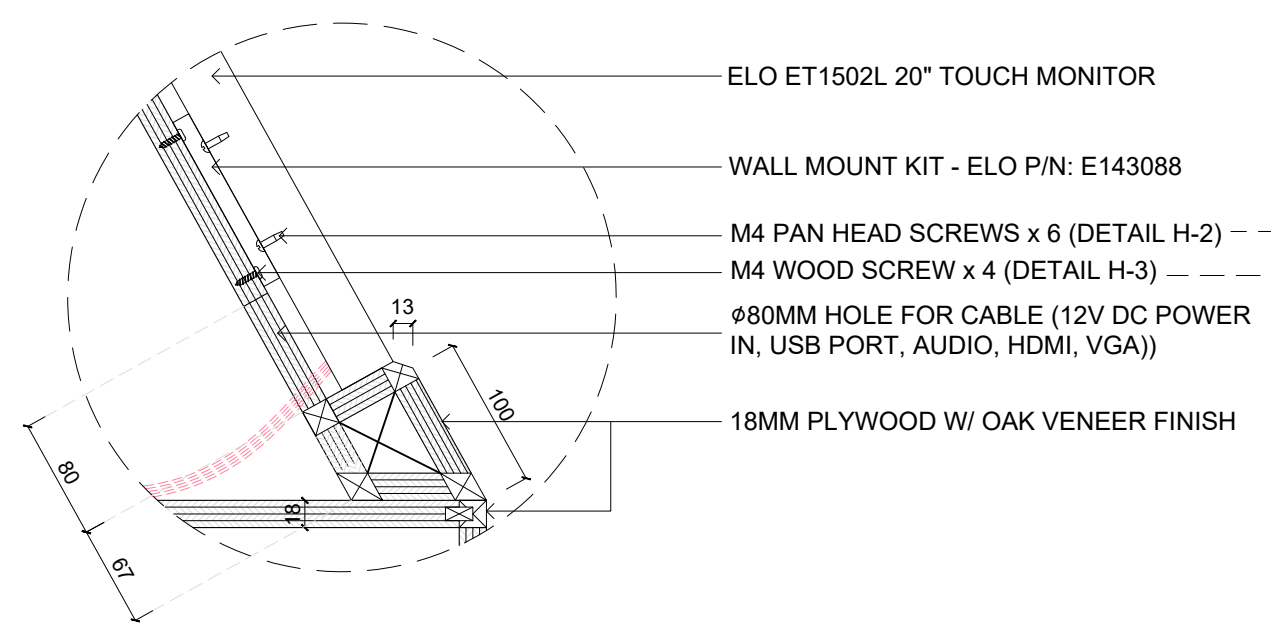
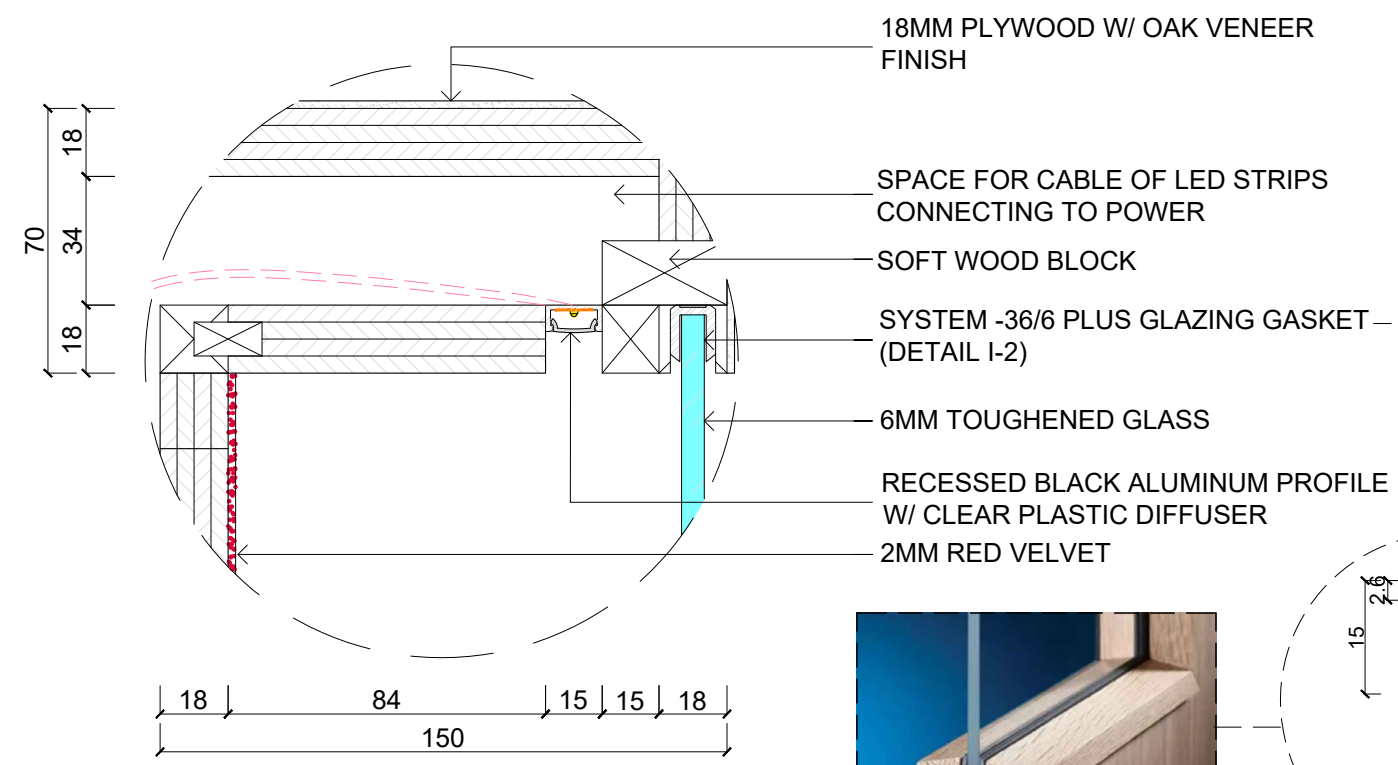


FIG.13



DETAIL H-1 1:5
TOUCH MONITOR

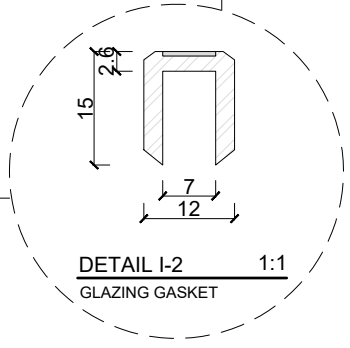
- ELO ET1502L 20" TOUCH MONITOR
- WALL MOUNT KIT - ELO P/N: E143088
- M4 PAN HEAD SCREWS x 6 (DETAIL H-2)
- M4 WOOD SCREW x 4 (DETAIL H-3)
- Ø80MM HOLE FOR CABLE (12V DC POWER IN, USB PORT, AUDIO, HDMI, VGA)
- 18MM PLYWOOD W/ OAK VENEER FINISH



DETAIL I-1 1:2
DISPLAY WINDOW - LED LIGHTING



FIG.14



DETAIL I-2 1:1
GLAZING GASKET

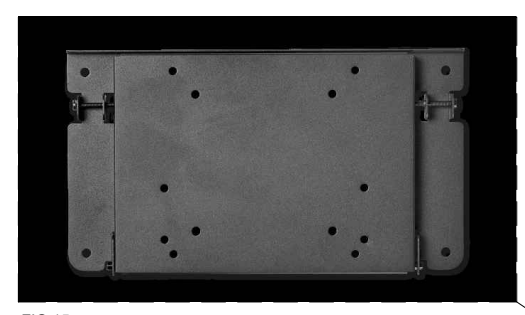
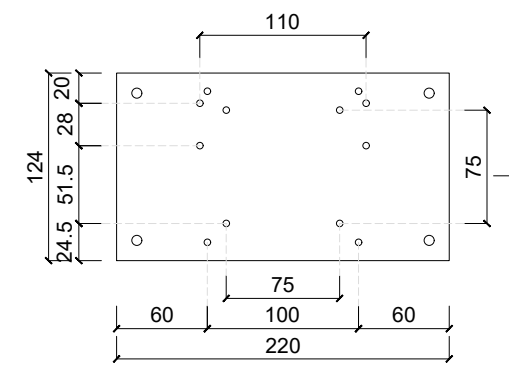


FIG.15



DETAIL H-2 1:5
WALL MOUNT KIT (FRONT)

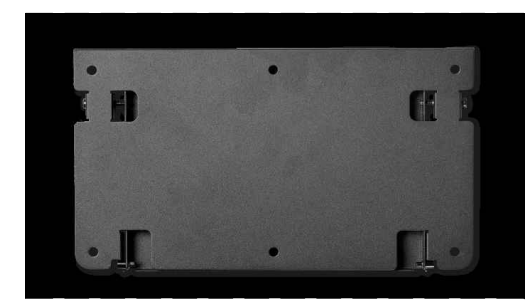
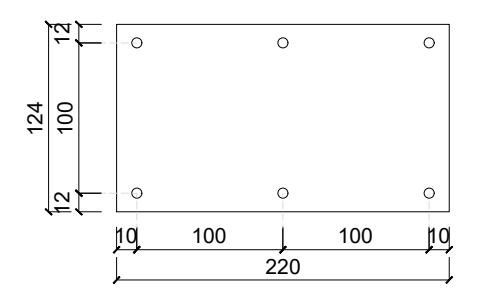
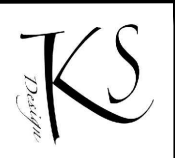


FIG.16



DETAIL H-3 1:5
WALL MOUNT KIT (BACK)



GENERAL NOTES

1. ALL DIMENSIONS ARE IN MILLIMETERS UNLESS OTHERWISE SPECIFIED. DO NOT SCALE THE DRAWINGS.
2. ALL DIMENSIONS SHALL BE VERIFIED ON SITE WITH CONTRACTORS BEFORE PROCEEDING WORK.
3. ALL DESIGNS ARE PROPERTY OF SO PAK LING. NO REPRODUCTION IS PERMITTED WITHOUT CONSENT.

SPECIFIC NOTES

1. MATERIAL AND LOOSE FURNITURE ARE SUBJECT TO CHANGE UPON AVAILABILITY

REFERENCE

FIG. 13: ELO ET1502L 20" (2021) 24mm Recessed Surface Black LED Profile P/N: E143088 (2021) available from <http://www.elo.com>

FIG. 14: Transonary Diver (2021) System 36/6 Clear Glass - 6mm Glass - 6mm Clear Cover (2021) available from <http://www.transonary.com>

FIG. 15: ELO Touch Solutions, Inc. (2021) Wall Mount Kit (2021) available from <http://www.elo.com>

FIG. 16: ELO Touch Solutions, Inc. (2021) Wall Mount Kit (2021) available from <http://www.elo.com>

REVISION		
NO.	DATE	ISSUE
01	15 MAR 2021	PROPOSED DESIGN LAYOUT
02	11 APR 2021	UPDATED LAYOUT AS PER ADVICES

PROJECT TITLE
WHITECHAPEL HANDICRAFT LIBRARY

DRAWING TITLE
MATERIAL LIBRARY DETAILING

PROJECT NO.
FMP-01

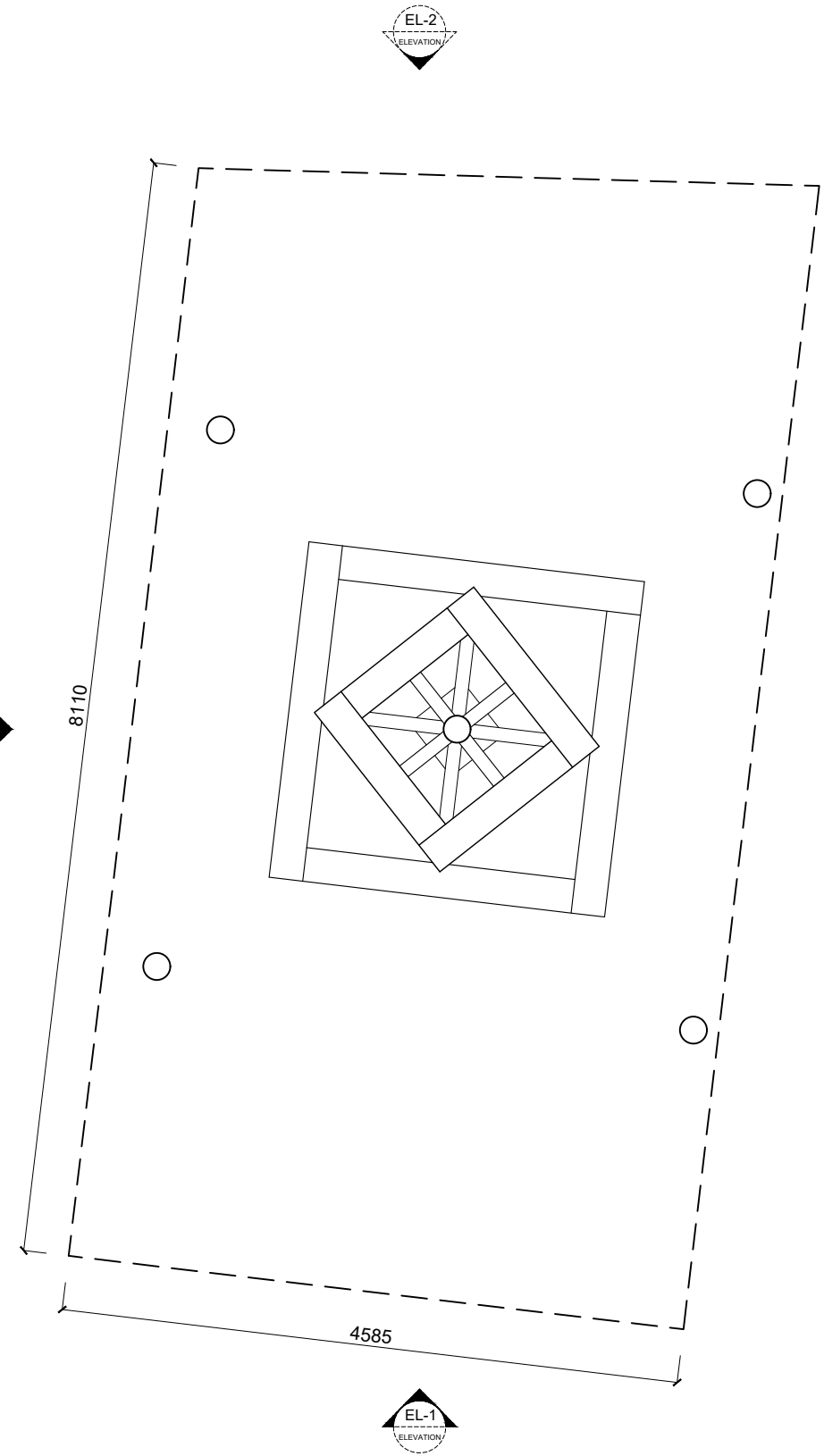
DATE
11 APR 2021

DRAWN BY
SO PAK LING

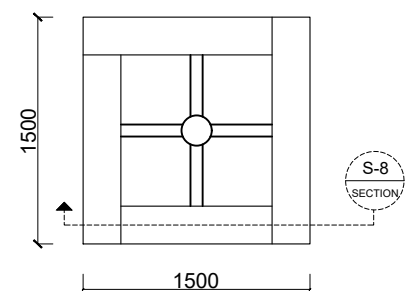
REVISION NO.
02

SCALE
AS SHOWN (A3)

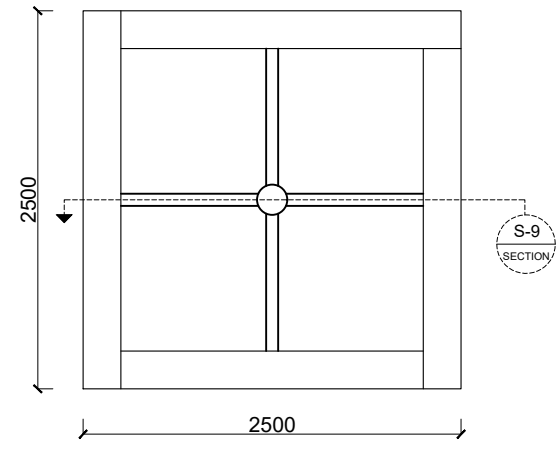
DRAWING NO.
DE-02-04



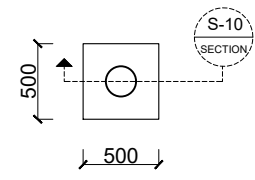
FLOOR PLAN 1:50
PENDANT



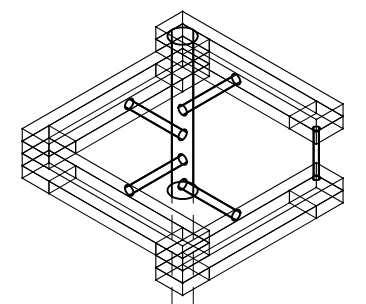
FLOOR PLAN 1:50
PENDANT (LV. 1)



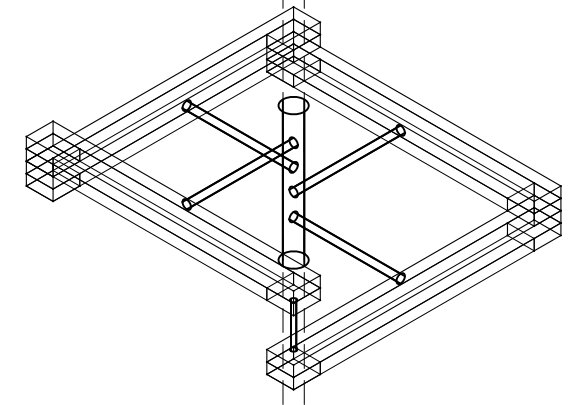
FLOOR PLAN 1:50
PENDANT (LV. 2)



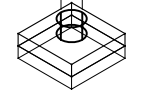
FLOOR PLAN 1:50
PENDANT (LV. 3)



ISOMETRIC 1:50
PENDANT (LV. 1)



ISOMETRIC 1:50
PENDANT (LV. 2)



ISOMETRIC 1:50
PENDANT (LV. 3)



GENERAL NOTES
 1. ALL DIMENSIONS ARE IN MILLIMETERS UNLESS OTHERWISE SPECIFIED.
 2. DO NOT SCALE THE DRAWINGS.
 3. ALL DIMENSIONS SHALL BE VERIFIED ON SITE WITH CONTRACTORS BEFORE PROCEEDING WORK.
 4. ALL DESIGNS ARE PROPERTY OF SO PAK LING. NO REPRODUCTION IS PERMITTED WITHOUT CONSENT.

SPECIFIC NOTES

REVISION		
NO.	DATE	ISSUE

PROJECT TITLE
WHITECHAPEL HANDICRAFT LIBRARY

DRAWING TITLE
CUSTOMIZED PENDANT DETAILING

PROJECT NO.
FMP-01

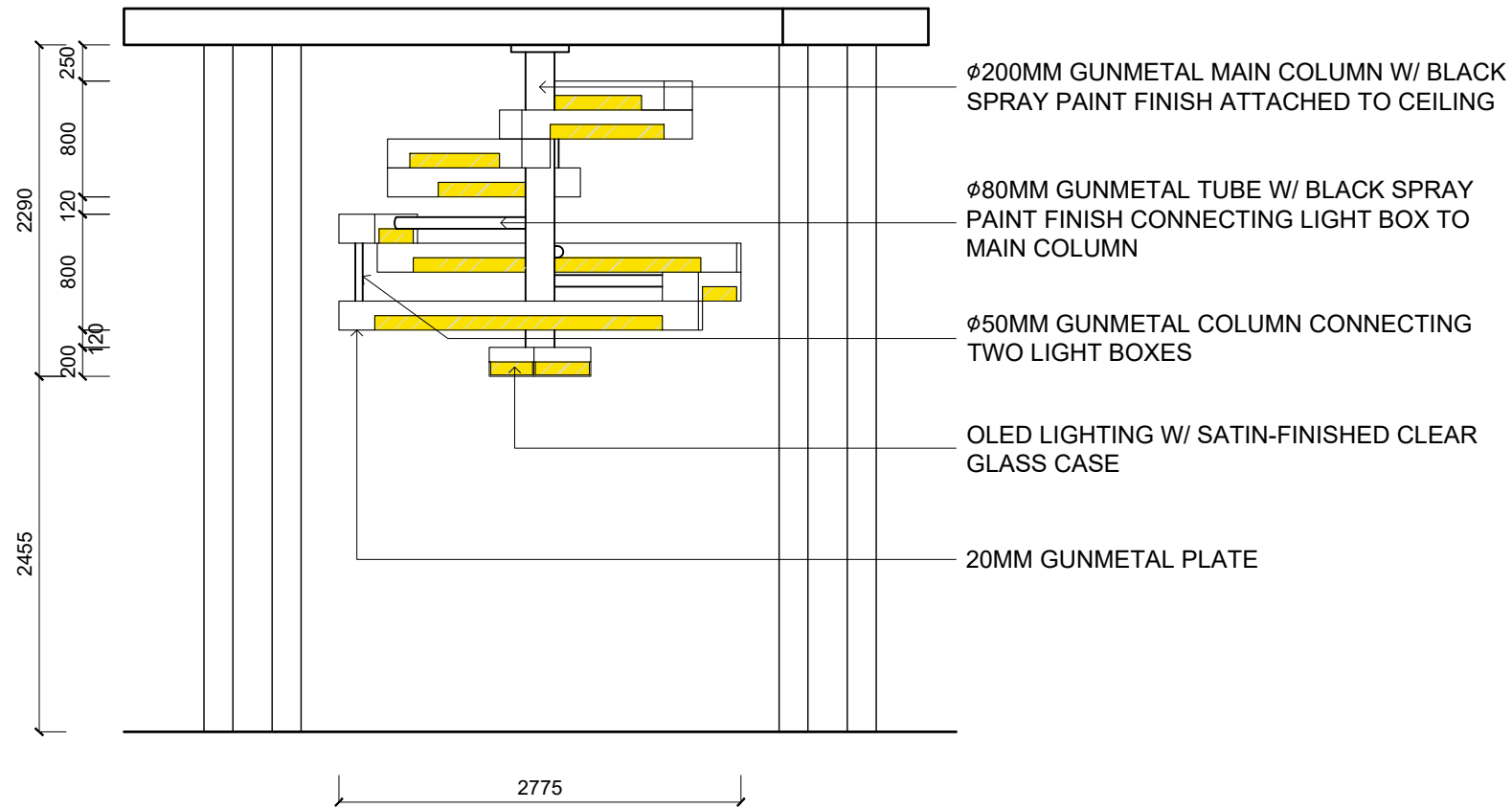
DATE
19 MAR 2021

DRAWN BY
SO PAK LING

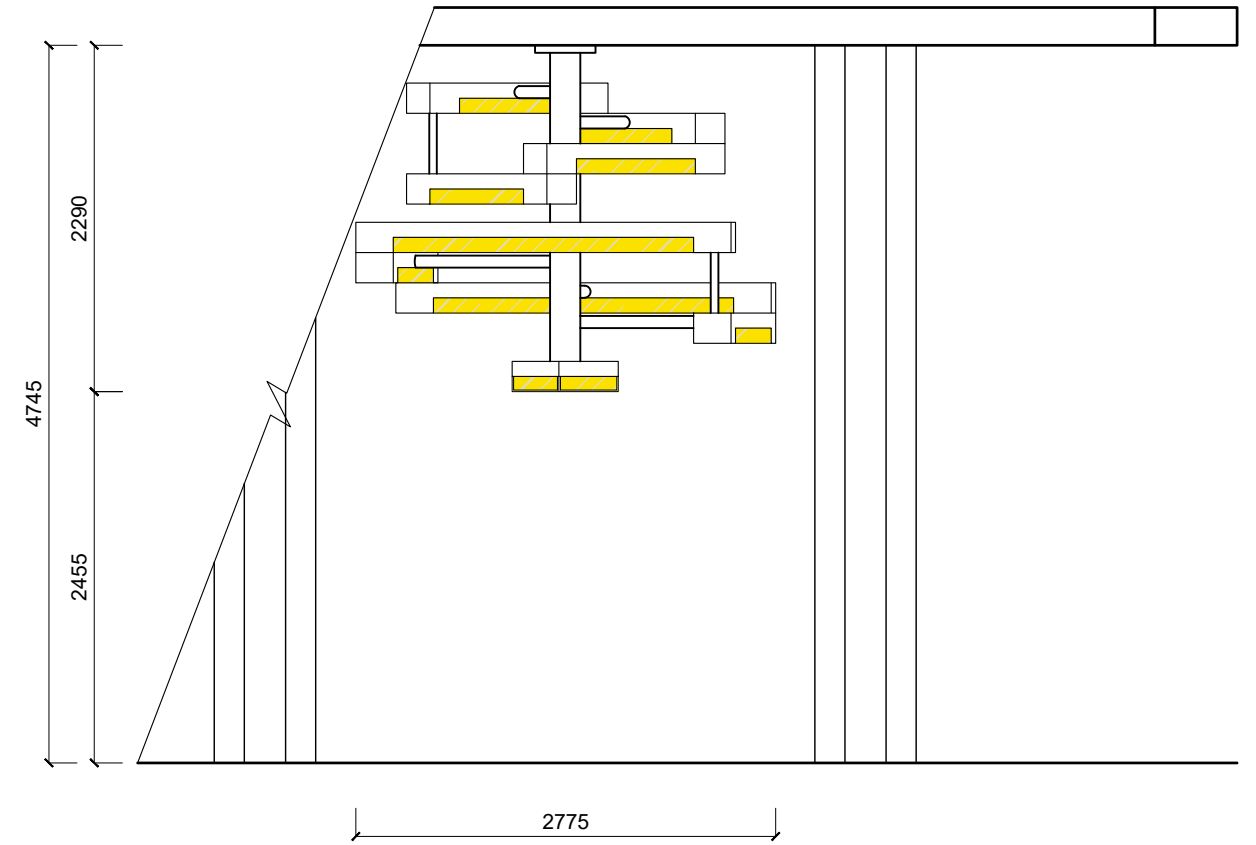
REVISION NO.
01

SCALE
1:50 (A3)

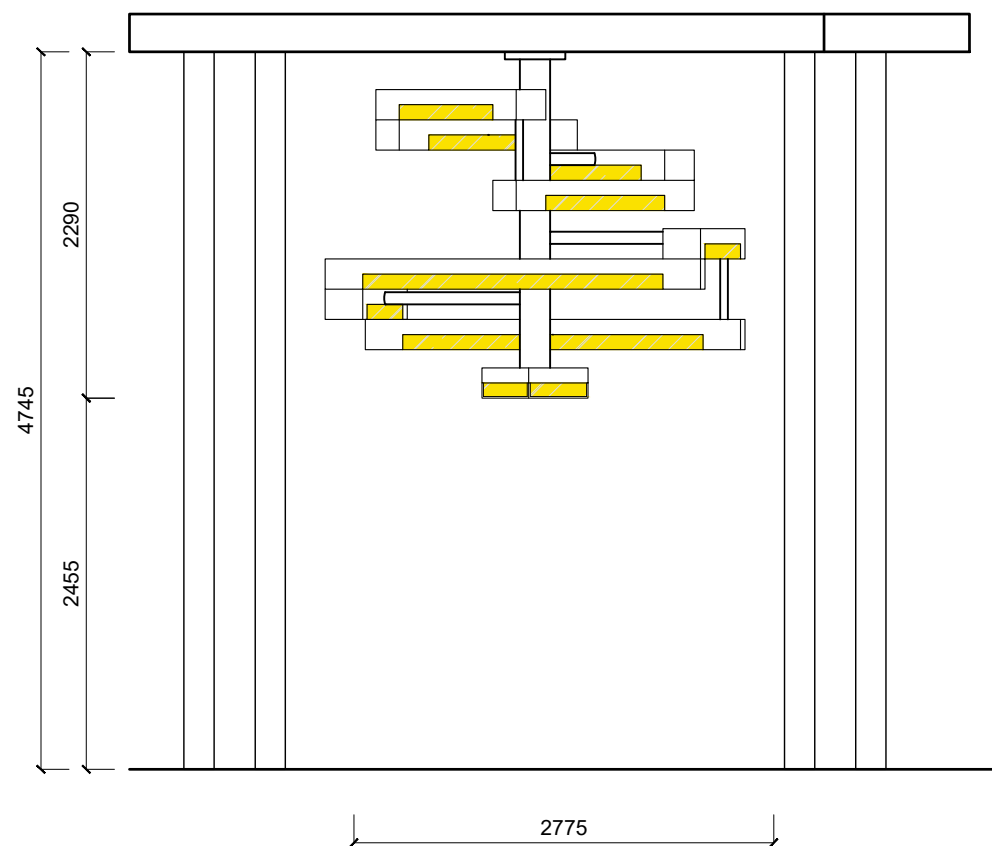
DRAWING NO.
DE-03-01



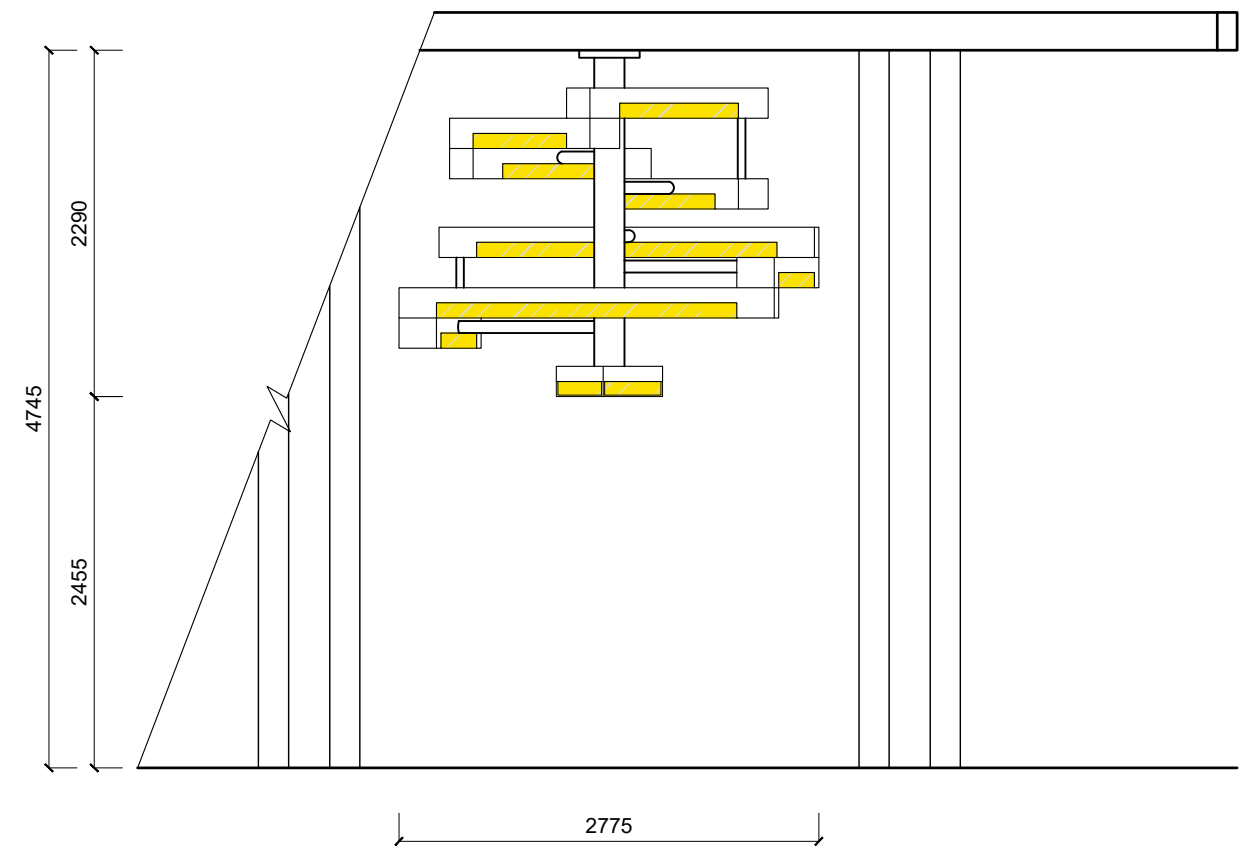
ELEVATION(EL-1) 1:50
PENDANT



ELEVATION(EL-3) 1:50
PENDANT



ELEVATION(EL-2) 1:50
PENDANT



ELEVATION(EL-4) 1:50
PENDANT



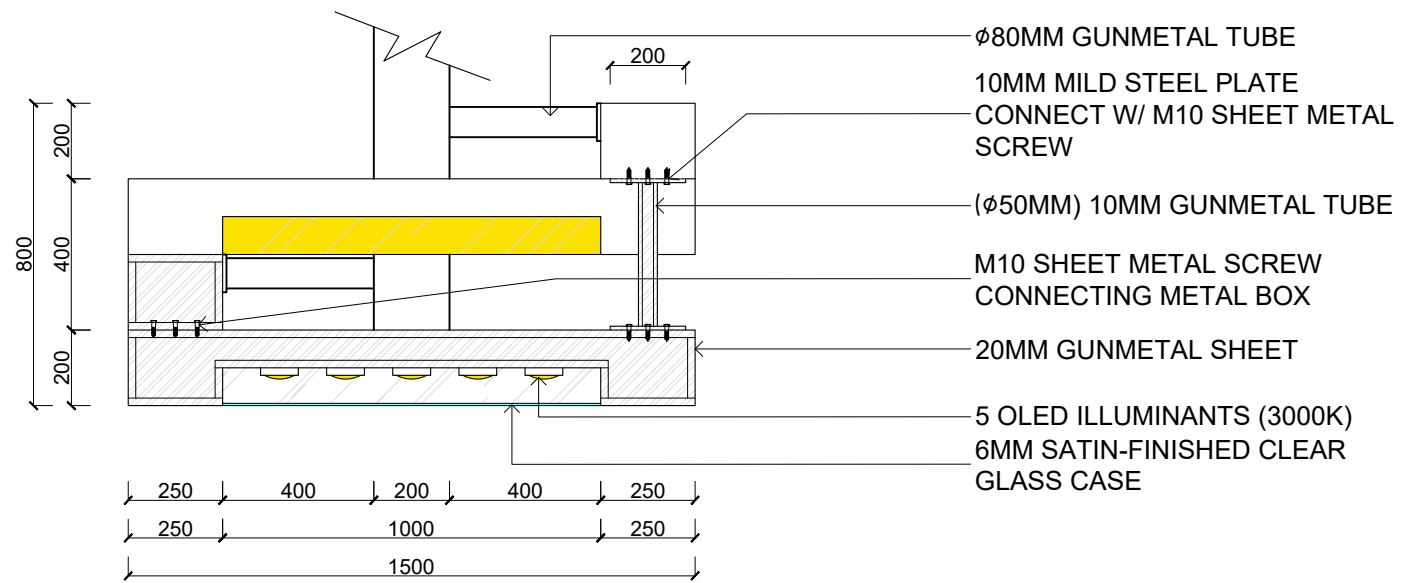
GENERAL NOTES

1. ALL DIMENSIONS ARE IN MILLIMETERS UNLESS OTHERWISE SPECIFIED.
2. DO NOT SCALE THE DRAWINGS.
3. ALL DIMENSIONS SHALL BE VERIFIED ON SITE WITH CONTRACTORS BEFORE PROCEEDING WORK.
4. ALL DESIGNS ARE PROPERTY OF SO PAK LING. NO REPRODUCTION IS PERMITTED WITHOUT CONSENT.

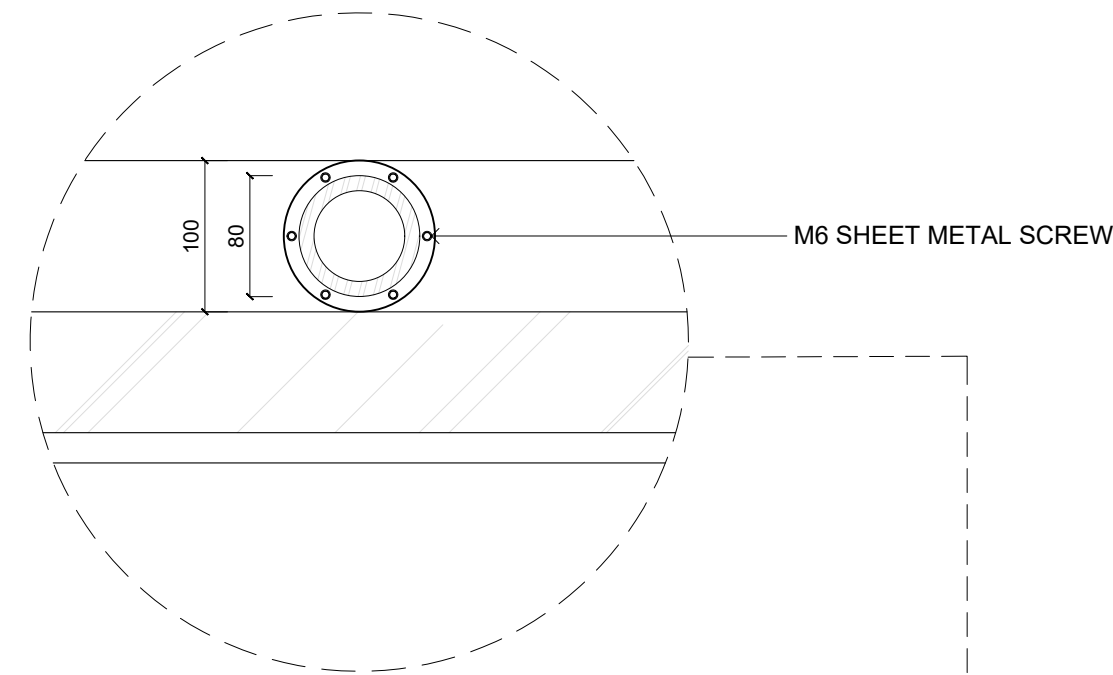
SPECIFIC NOTES

REVISION		
NO.	DATE	ISSUE
01	19 MAR 2021	PROPOSED DESIGN LAYOUT
02	14 APR 2021	UPDATED LAYOUT AS PER ADVICES

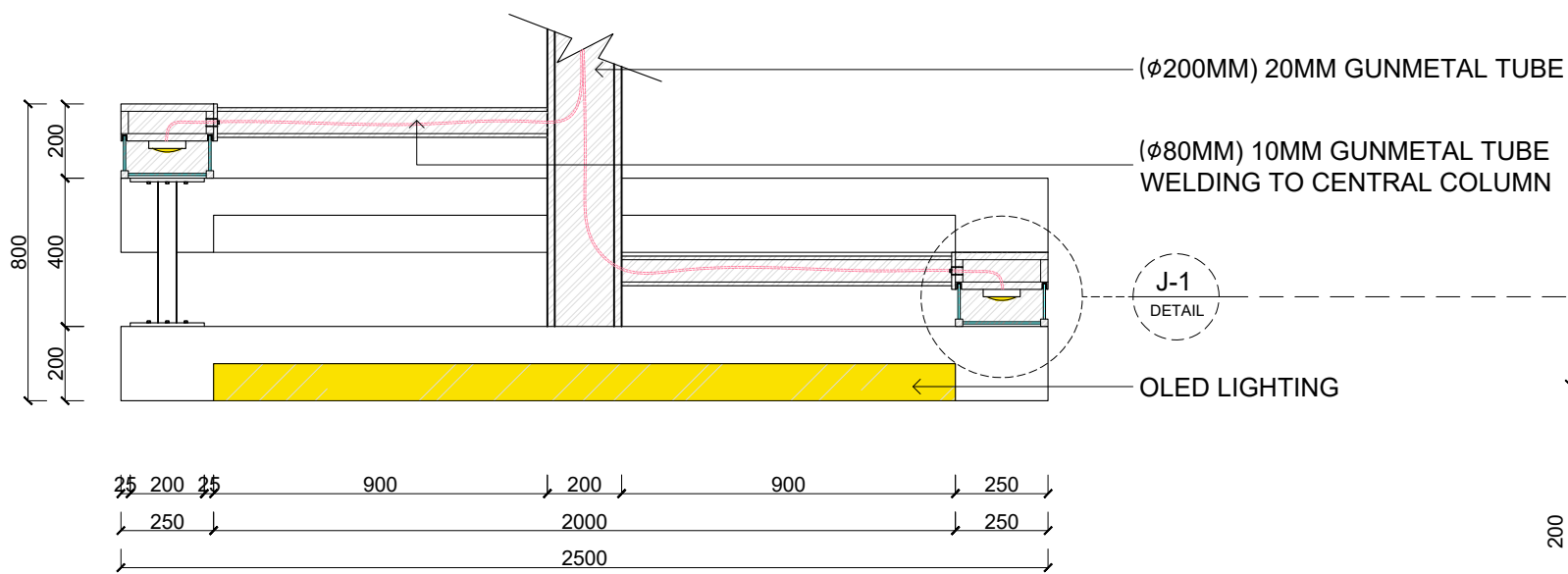
PROJECT TITLE WHITECHAPEL HANDICRAFT LIBRARY	PROJECT NO. FMP-01	DRAWN BY SO PAK LING	SCALE 1:50 (A3)
DRAWING TITLE CUSTOMIZED PENDANT DETAILING	DATE 14 APR 2021	REVISION NO. 02	DRAWING NO. DE-03-02



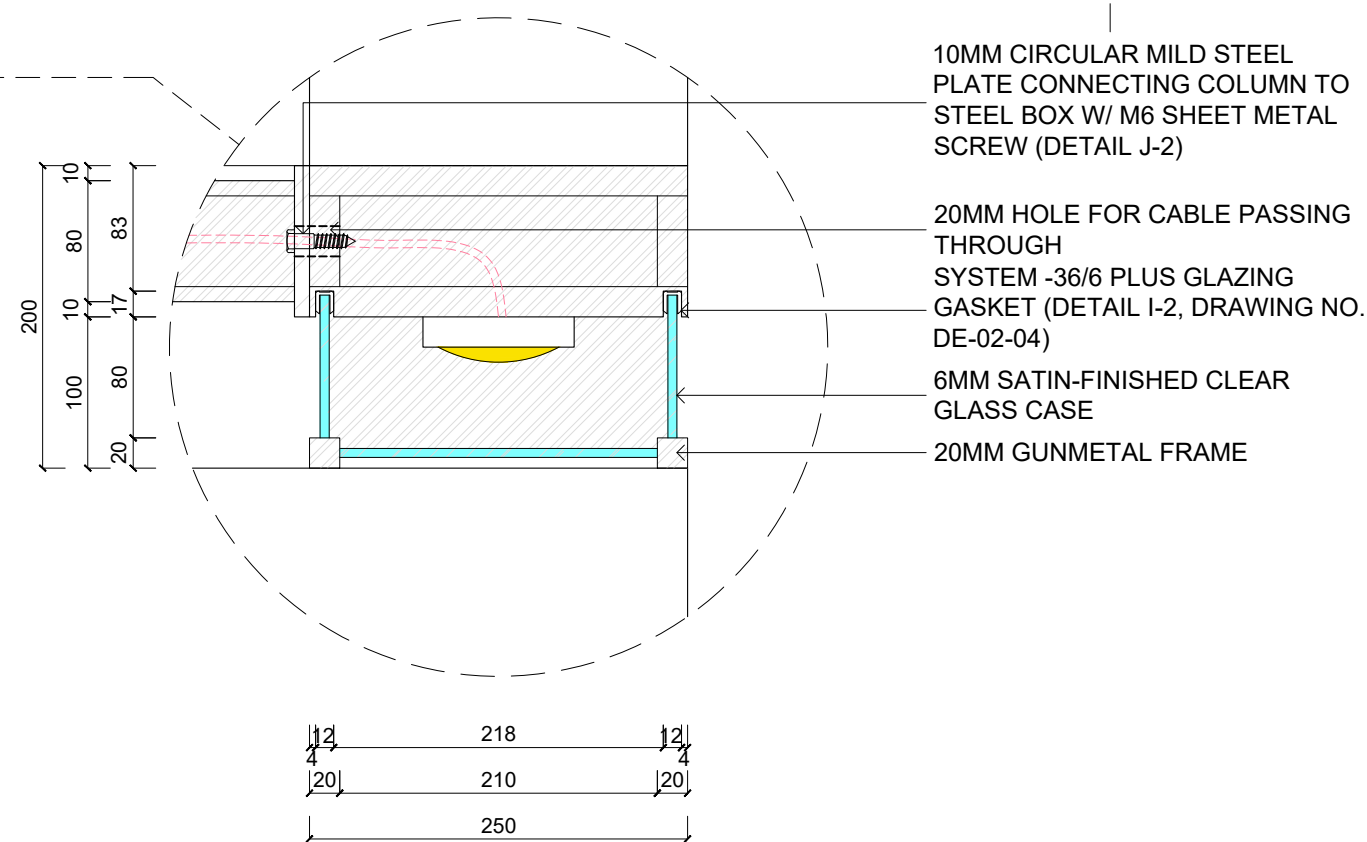
SECTION S-8 1:20
PENDANT (LV. 1)



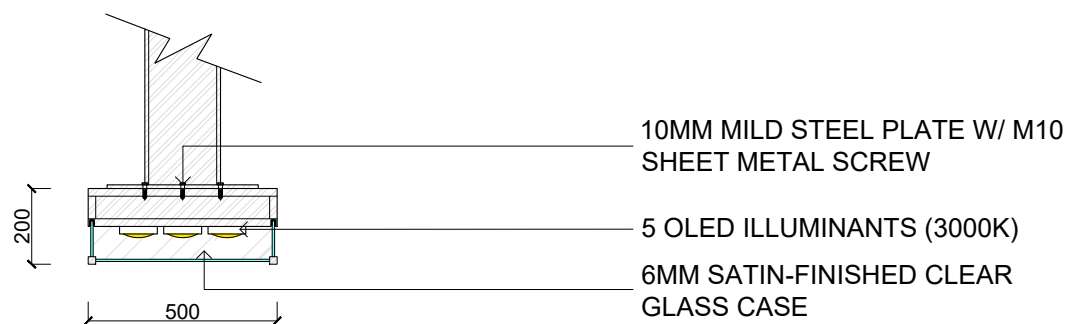
DETAIL J-2 1:5
COLUMN CONNECTING TO LIGHT BOX



SECTION S-9 1:20
PENDANT (LV. 2)



DETAIL J-1 1:5
PENDANT LIGHT BOX



SECTION S-10 1:20
PENDANT (LV. 3)



GENERAL NOTES
 1. ALL DIMENSIONS ARE IN MILLIMETERS UNLESS OTHERWISE SPECIFIED.
 2. DO NOT SCALE THE DRAWINGS.
 3. ALL DIMENSIONS SHALL BE VERIFIED ON SITE WITH CONTRACTORS BEFORE PROCEEDING WORK.
 4. ALL DESIGNS ARE PROPERTY OF SO PAK LING. NO REPRODUCTION IS PERMITTED WITHOUT CONSENT.

SPECIFIC NOTES

REVISION		
NO.	DATE	ISSUE
01	19 MAR 2021	PROPOSED DESIGN LAYOUT
02	14 APR 2021	UPDATED LAYOUT AS PER ADVICES

PROJECT TITLE WHITECHAPEL HANDICRAFT LIBRARY	PROJECT NO. FMP-01	DRAWN BY SO PAK LING	SCALE AS SHOWN (A3)
DRAWING TITLE CUSTOMIZED PENDANT DETAILING	DATE 14 APR 2021	REVISION NO. 02	DRAWING NO. DE-03-03

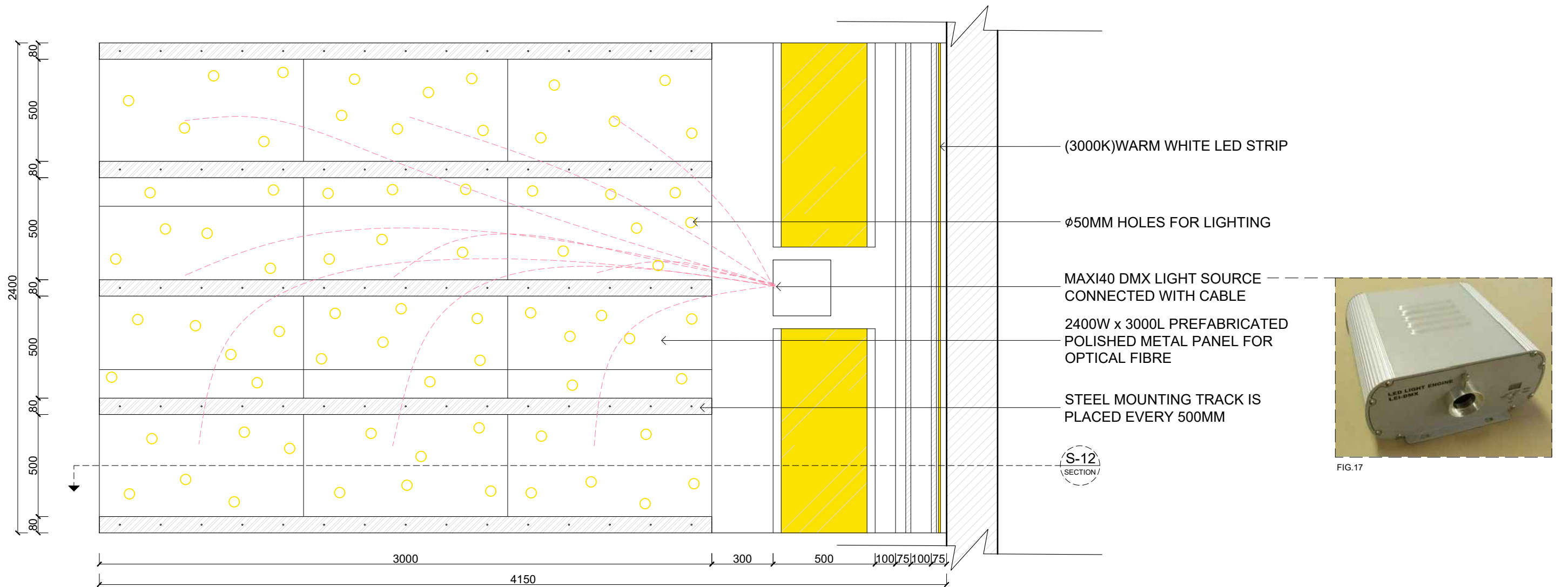
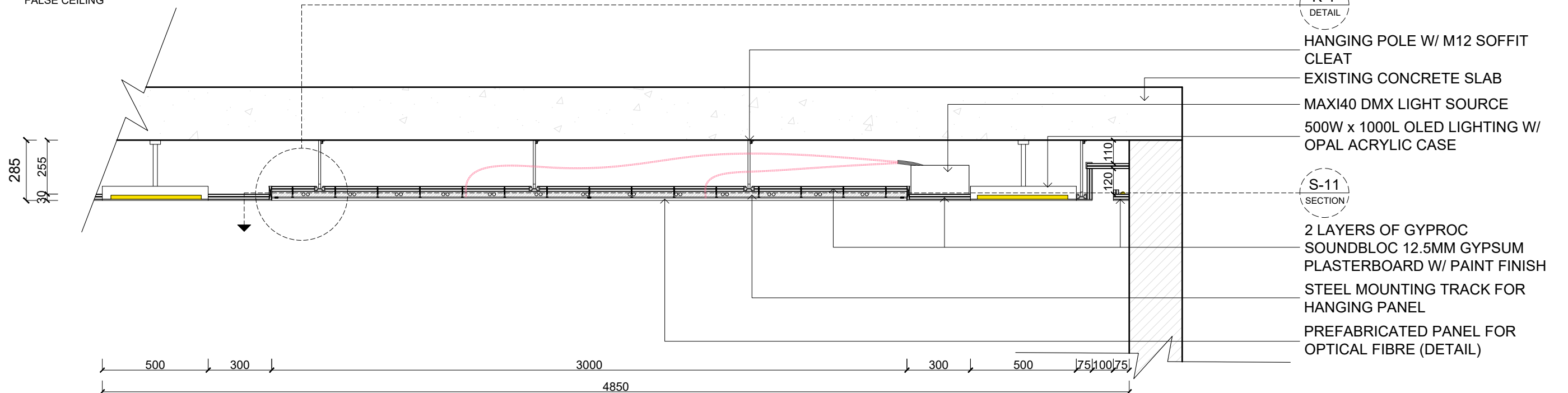


FIG.17

SECTION S-11 1:20
FALSE CEILING



SECTION S-12 1:20
FALSE CEILING

GENERAL NOTES

1. ALL DIMENSIONS ARE IN MILLIMETERS UNLESS OTHERWISE SPECIFIED. DO NOT SCALE THE DRAWINGS.
2. ALL DIMENSIONS SHALL BE VERIFIED ON SITE WITH CONTRACTORS BEFORE PROCEEDING WORK.
3. ALL DESIGNS ARE PROPERTY OF SO PAK LING. NO REPRODUCTION IS PERMITTED WITHOUT CONSENT.

SPECIFIC NOTES

1. MATERIAL AND LOOSE FURNITURE ARE SUBJECT TO CHANGE UPON AVAILABILITY
- REFERENCE
FIG.17 Staircase (2021) Maxi40 DMX light source [online] available from <https://staircase-shop.myshopify.com/collections/lighting-products/maxi40-dmx-light-source> [06 March 2021]

REVISION

NO.	DATE	ISSUE
01	28 MAR 2021	PROPOSED DESIGN LAYOUT
02	18 APR 2021	UPDATED LAYOUT AS PER ADVICES

PROJECT TITLE

WHITECHAPEL HANDICRAFT LIBRARY

PROJECT NO.

FMP-01

DRAWN BY

SO PAK LING

SCALE

1:20 (A3)

DRAWING TITLE

FALSE CEILING DETAILING

DATE

18 APR 2021

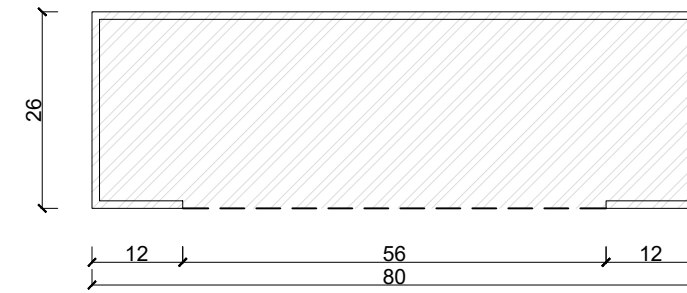
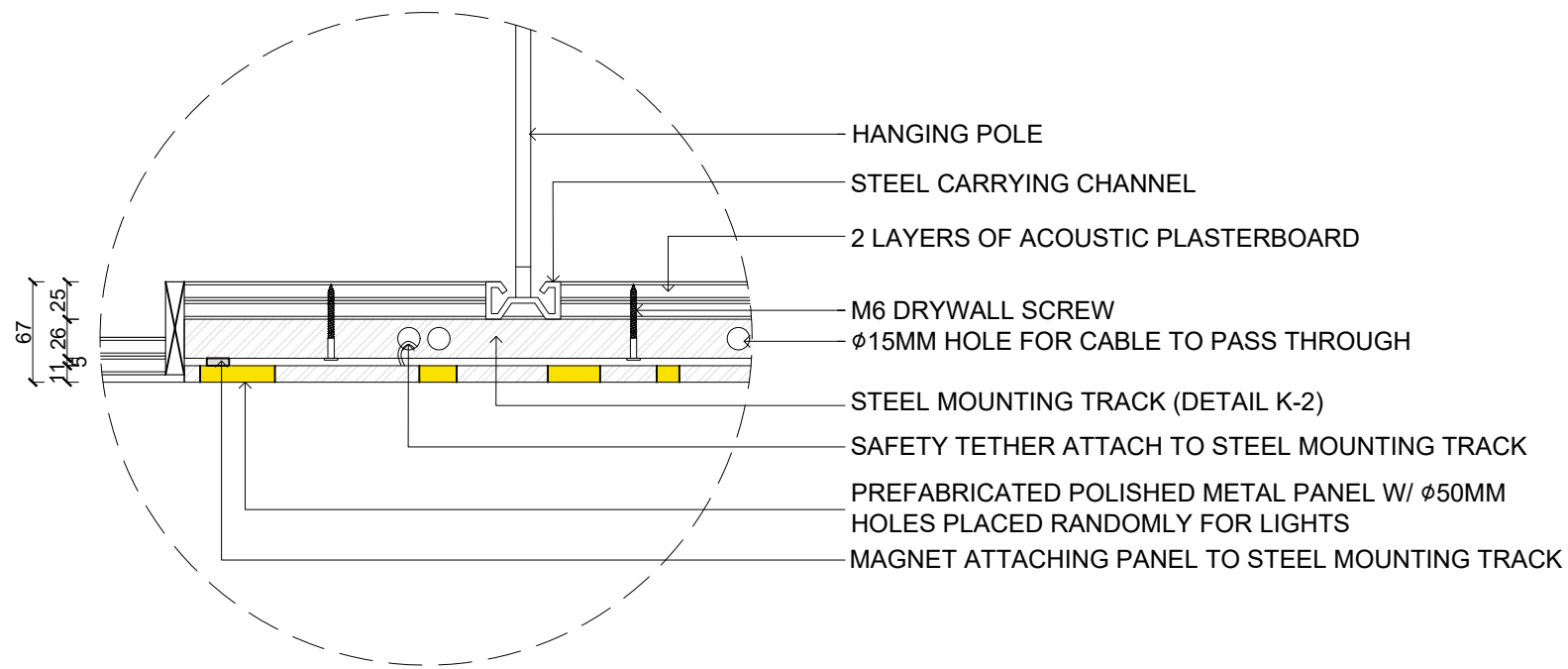
REVISION NO.

02

DRAWING NO.

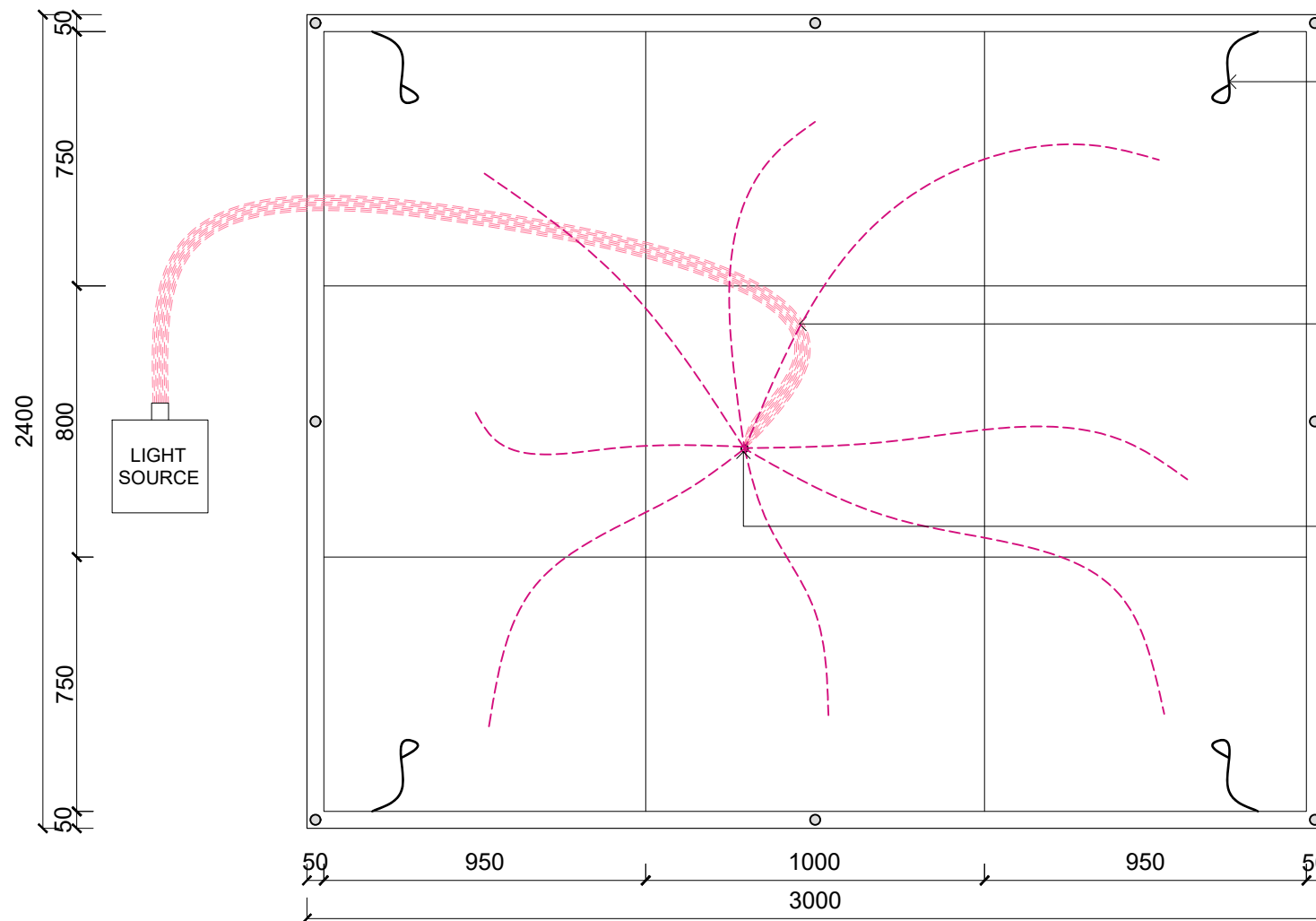
DE-04-01





DETAIL K-2 1:1
 STEEL MOUNTING TRACK SECTION

DETAIL K-1 1:2
 OPTICAL FIBRE CEILING



FOUR SAFETY TETHERS AT THE CORNER TO PROVIDE EXTRA SUPPORT TO HANG PANEL ON STEEL MOUNTING TRACK

PANEL TAILS

MAGNETS

FIBRE BEING INSERTED INTO MULTIPLE PANELS

FLOOR PLAN 1:20
 PREFABRICATED PANEL



GENERAL NOTES
 1. ALL DIMENSIONS ARE IN MILLIMETERS UNLESS OTHERWISE SPECIFIED.
 2. DO NOT SCALE THE DRAWINGS.
 3. ALL DIMENSIONS SHALL BE VERIFIED ON SITE WITH CONTRACTORS BEFORE PROCEEDING WORK.
 4. ALL DESIGNS ARE PROPERTY OF SO PAK LING. NO REPRODUCTION IS PERMITTED WITHOUT CONSENT.

SPECIFIC NOTES

REVISION		
NO.	DATE	ISSUE
01	28 MAR 2021	PROPOSED DESIGN LAYOUT
02	18 APR 2021	UPDATED LAYOUT AS PER ADVICES

PROJECT TITLE
 WHITECHAPEL HANDICRAFT LIBRARY

DRAWING TITLE
 FALSE CEILING DETAILING

PROJECT NO.
 FMP-01

DATE
 18 APR 2021

DRAWN BY
 SO PAK LING

REVISION NO.
 02

SCALE
 AS SHOWN (A3)

DRAWING NO.
 DE-04-02