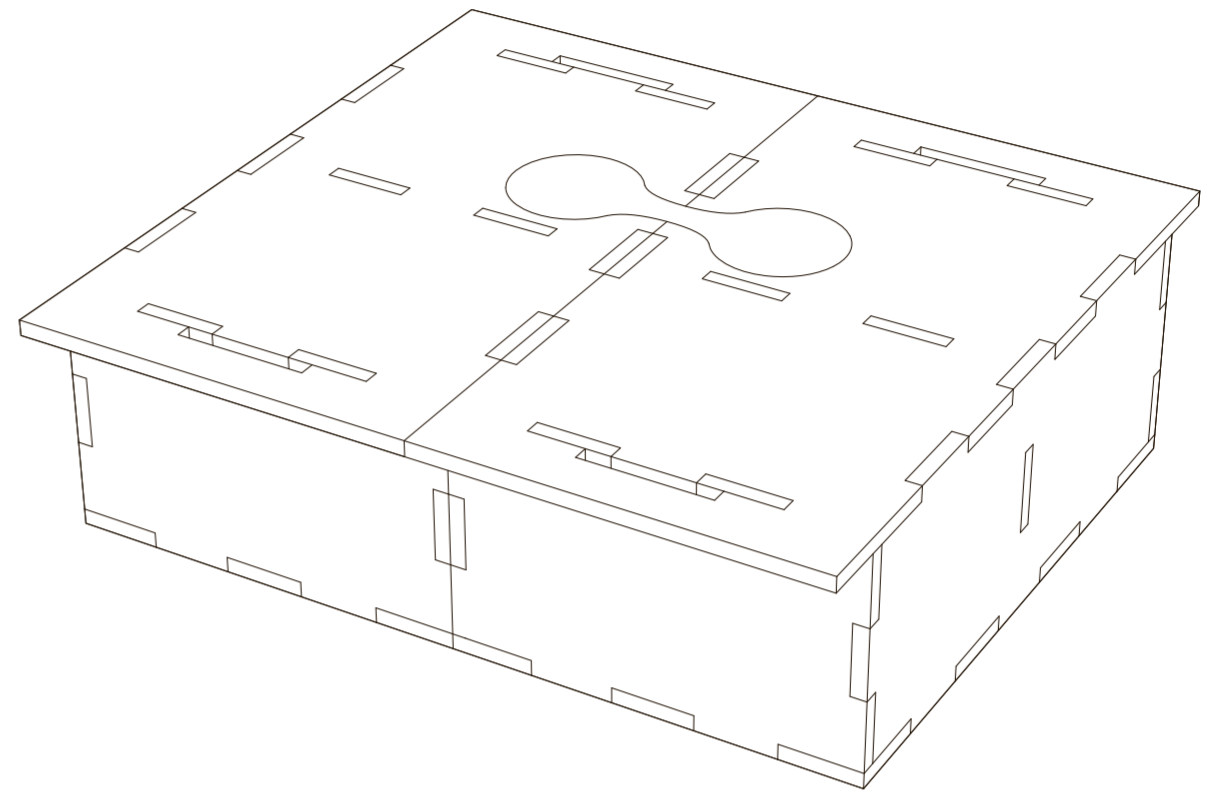
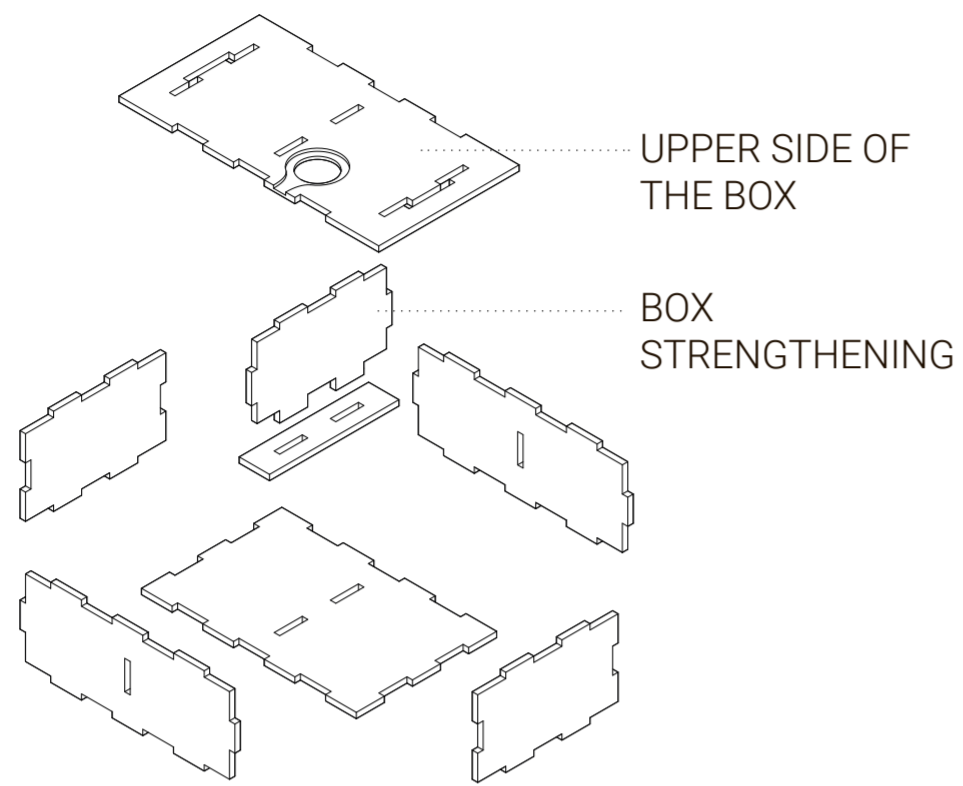


DETAIL OF A MODULAR PLYWOOD BOX

BUILT BOX



Each frame is formed by a pair of frame structures, which are connected by strengthening plates, the gap which is created by joining plywood boards, is filled with thermal insulation.

