



Row House Project

Student: Ahmad Banafa - 1745629
Supervisor: Arch. Mohammed Eid

AR-203
Fall 2019

Designing a house for Saudi family of five members.
Depending on their needs.
Also corresponding to building scale and dimension
Site analysis and Jeddah's Amana regulations

Problem Statment



No Views

Not Much of Views
Around The building



Small Building Area

6 Meters Setbacks 4m
Front and 2m Back



Less Ventilation

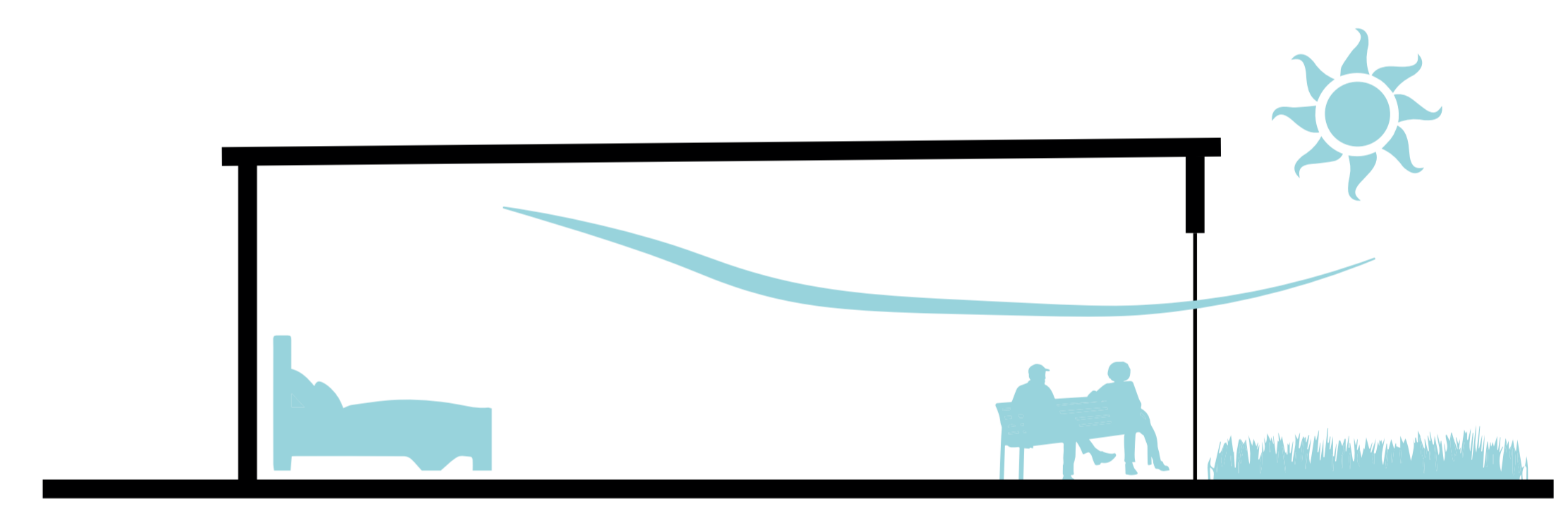
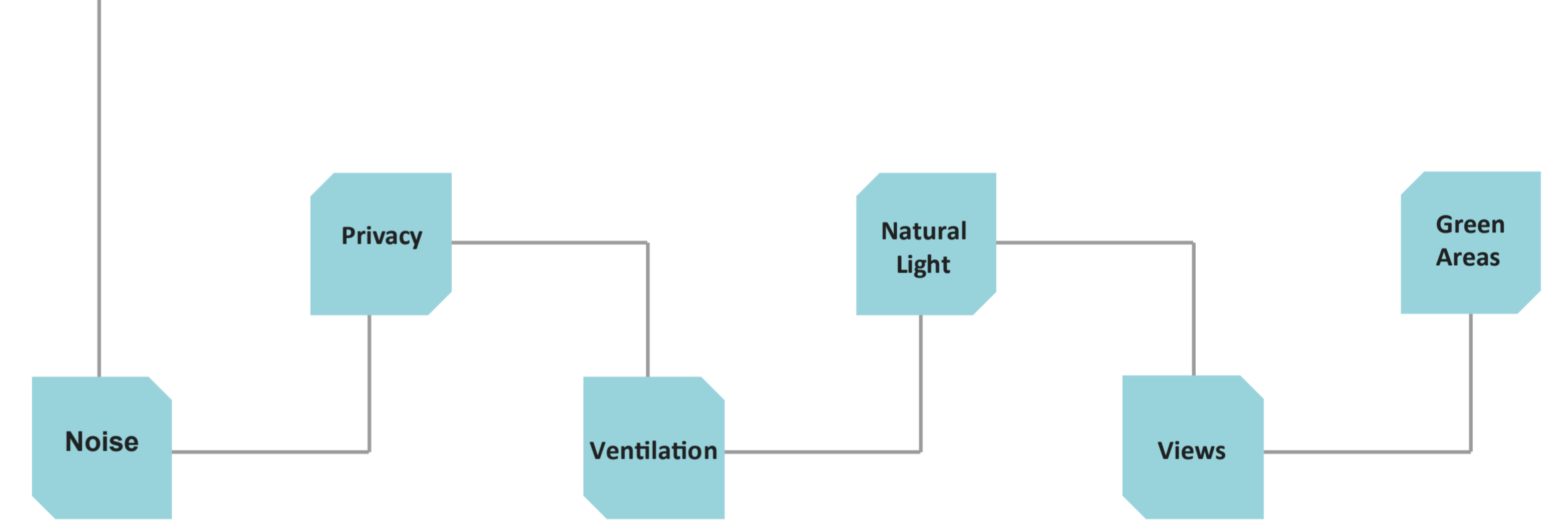
Not Much of Natural
Ventilation Enters The
building



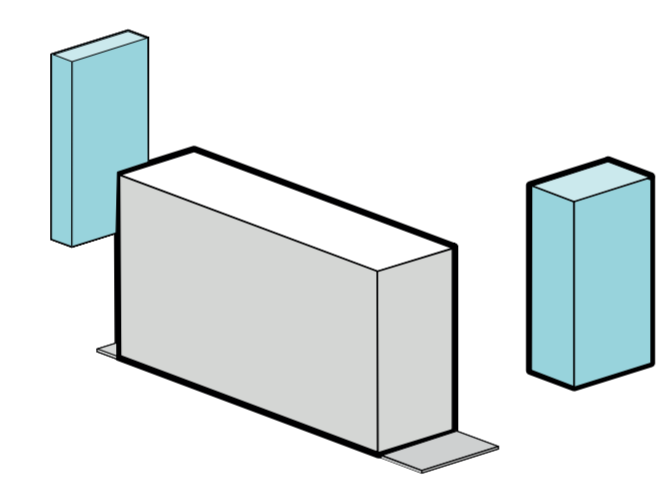
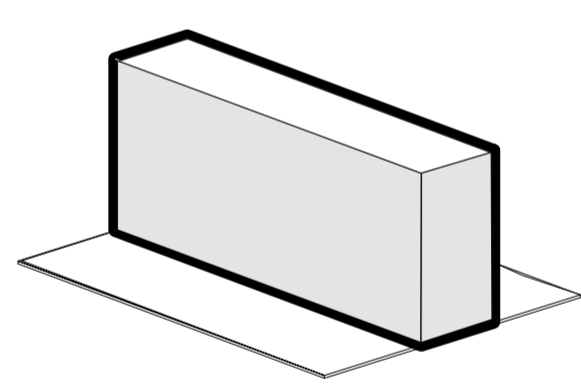
No Natural Lighting

Not Much of Natural
Day Light Enters The
building

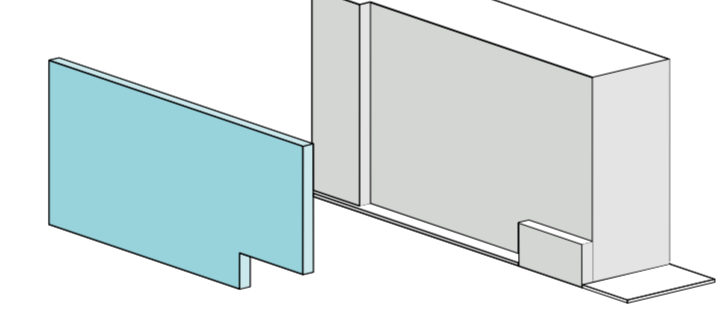
Design Criteria



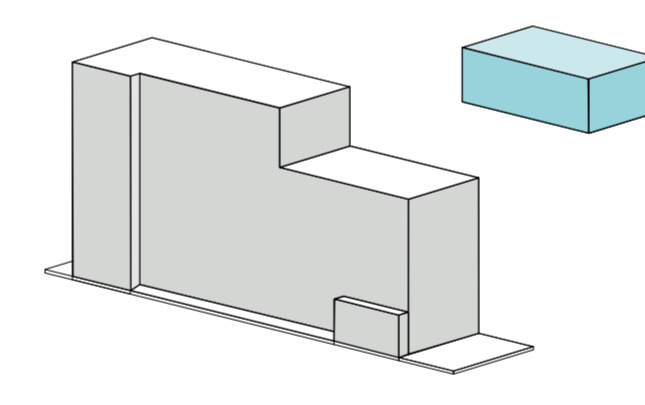
Design Concept



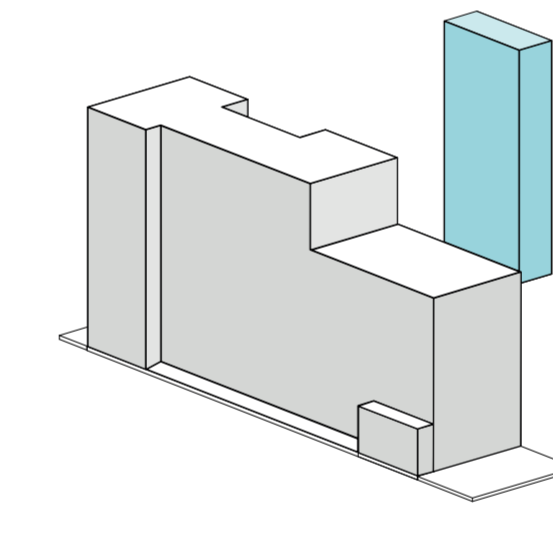
- 6m for Set Backs



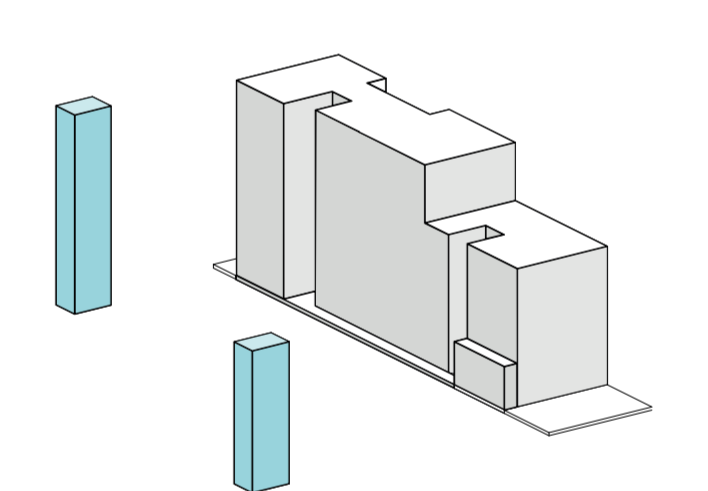
- 1.2m for Ventilation



- Privacy



- Natural Day Light

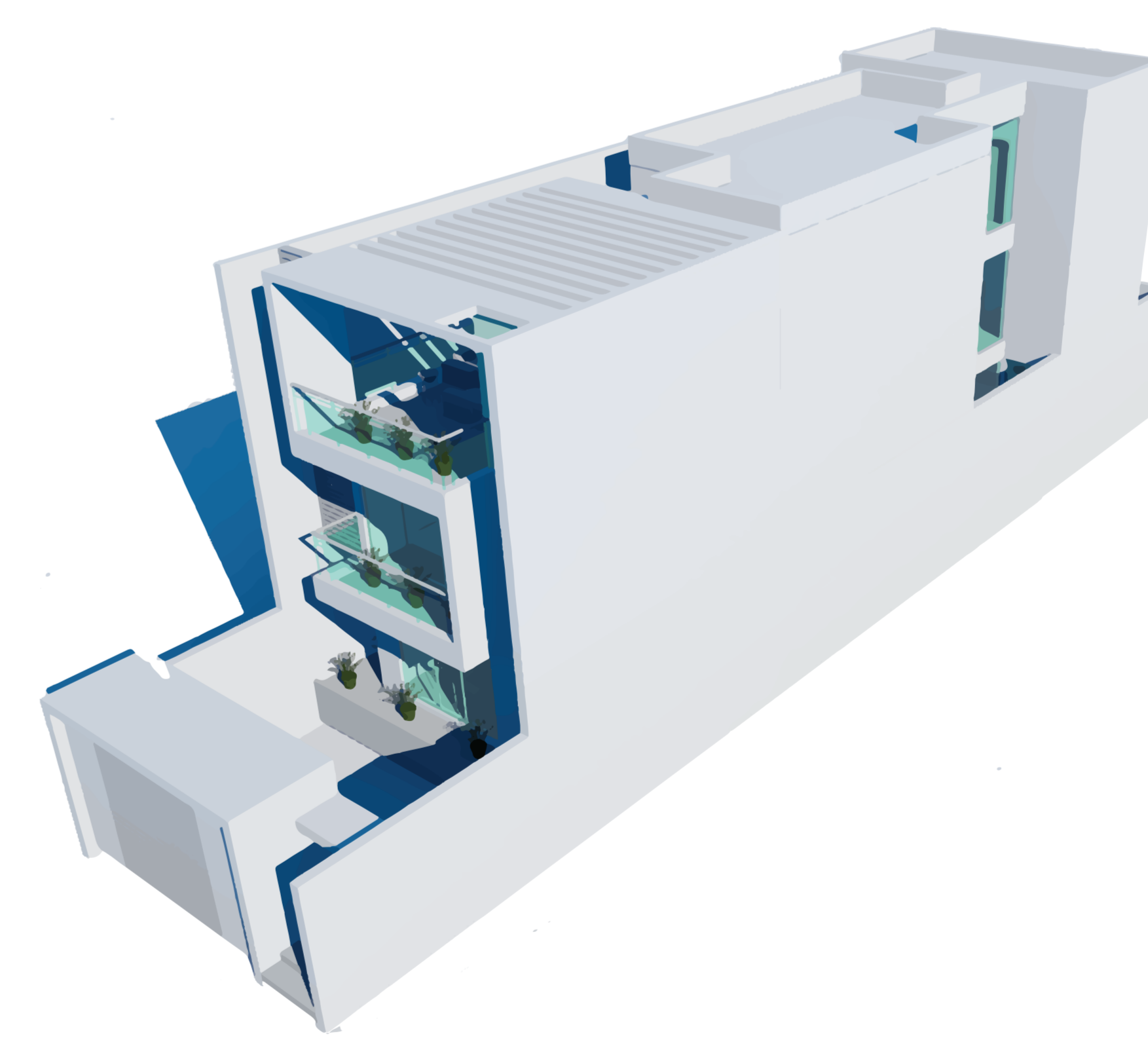


- Green Areas
- Views

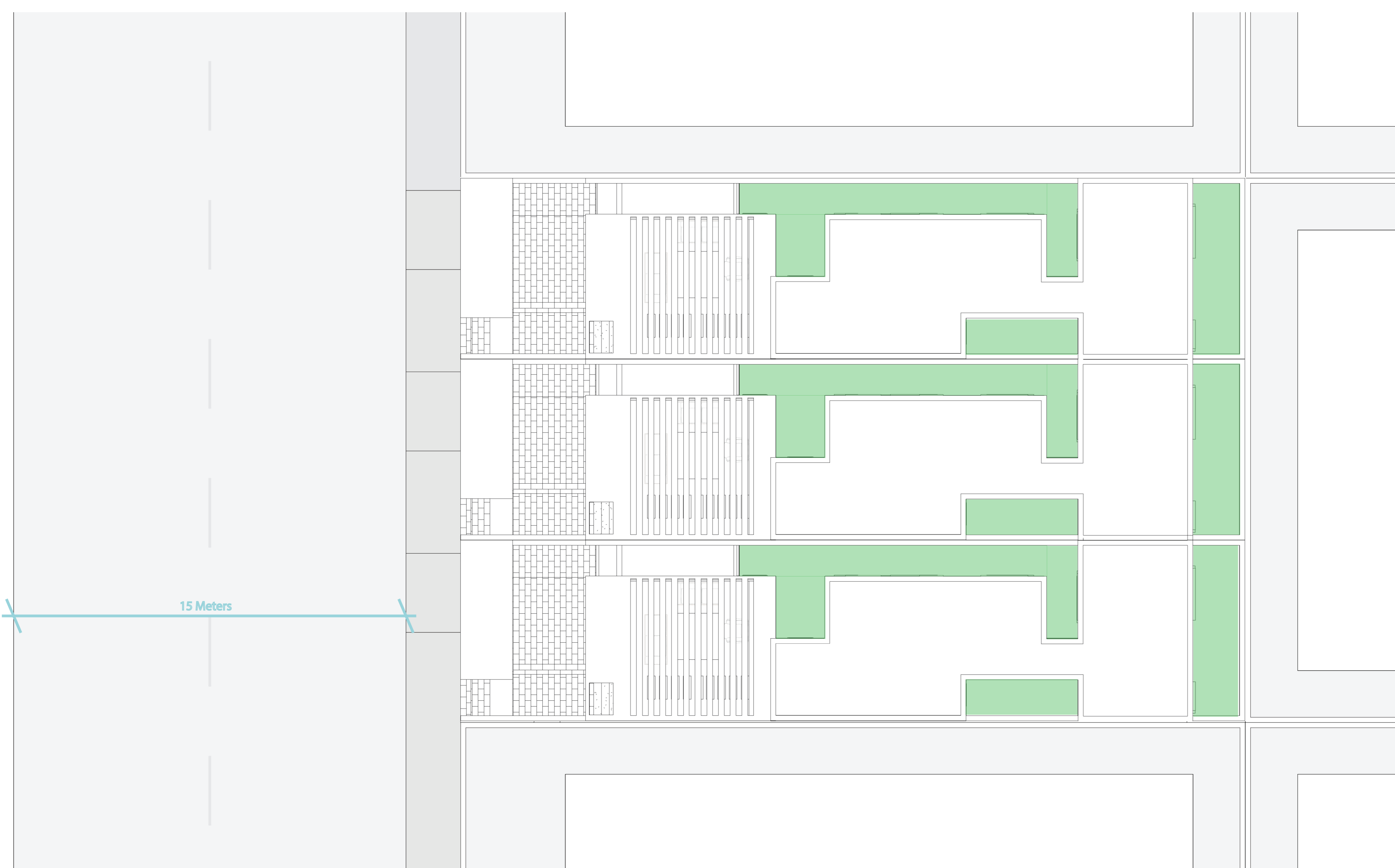
Bubble Diagram



Isometric



Site Plan Scale 1/100



Front Elevation 1/50

