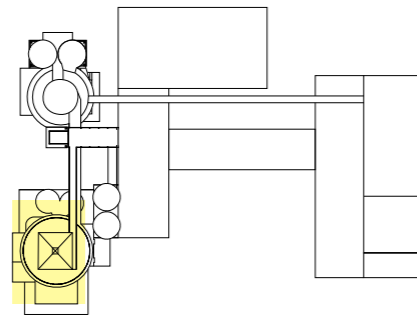


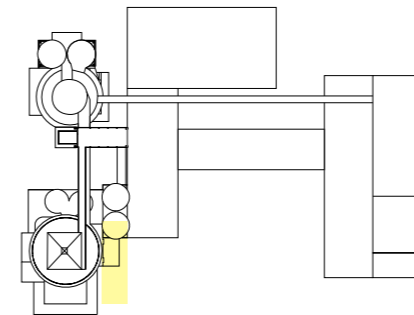
KITCHEN

Prep area
Bread station
Lots of sinks
Good movement



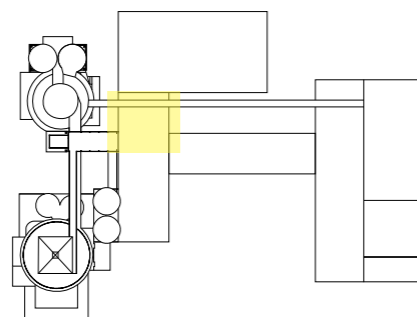
ENTRANCE

Waiting area
Outdoor dining
Manager's office



BAR

Bar seating
WC
Lounge
Connection to banquet hall



BANQUET HALL

Ample seating
Flexible space
Large garage doors for easy access
Industrial feel

