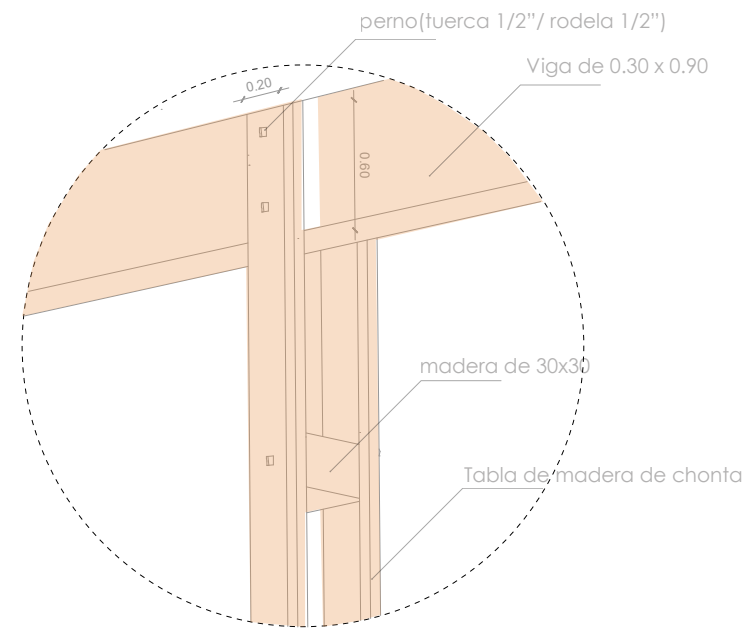
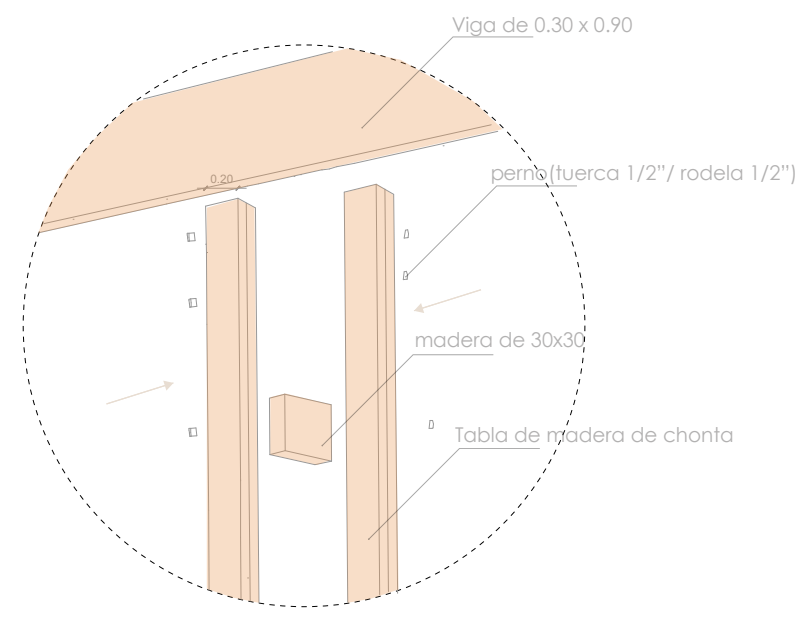


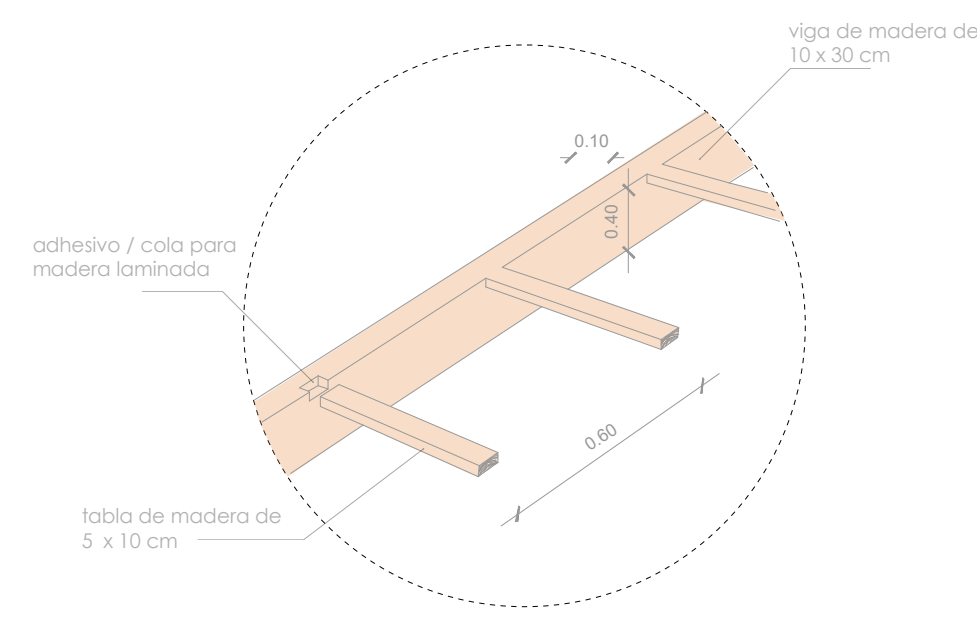
# CONSTRUCTIVE DETAILS



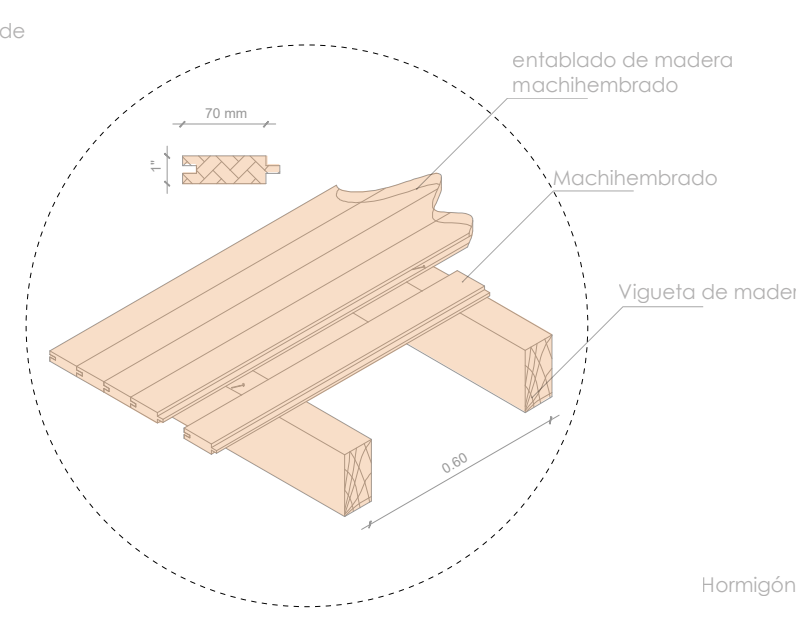
Detail 1: beam - column connection



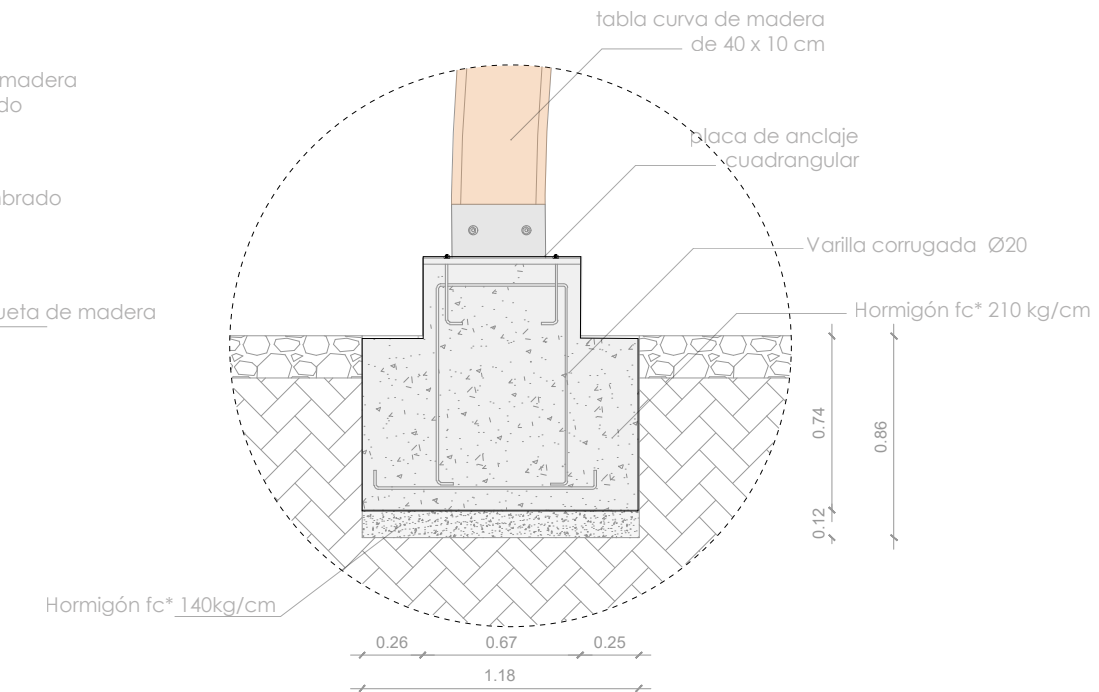
Exploded connection: beam - column



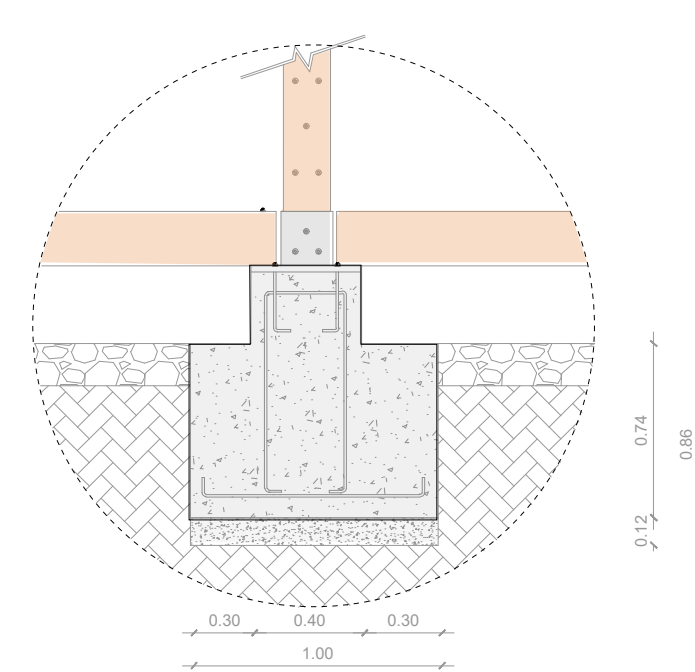
Detail 2: half wood joint



Detail 3: floor decking

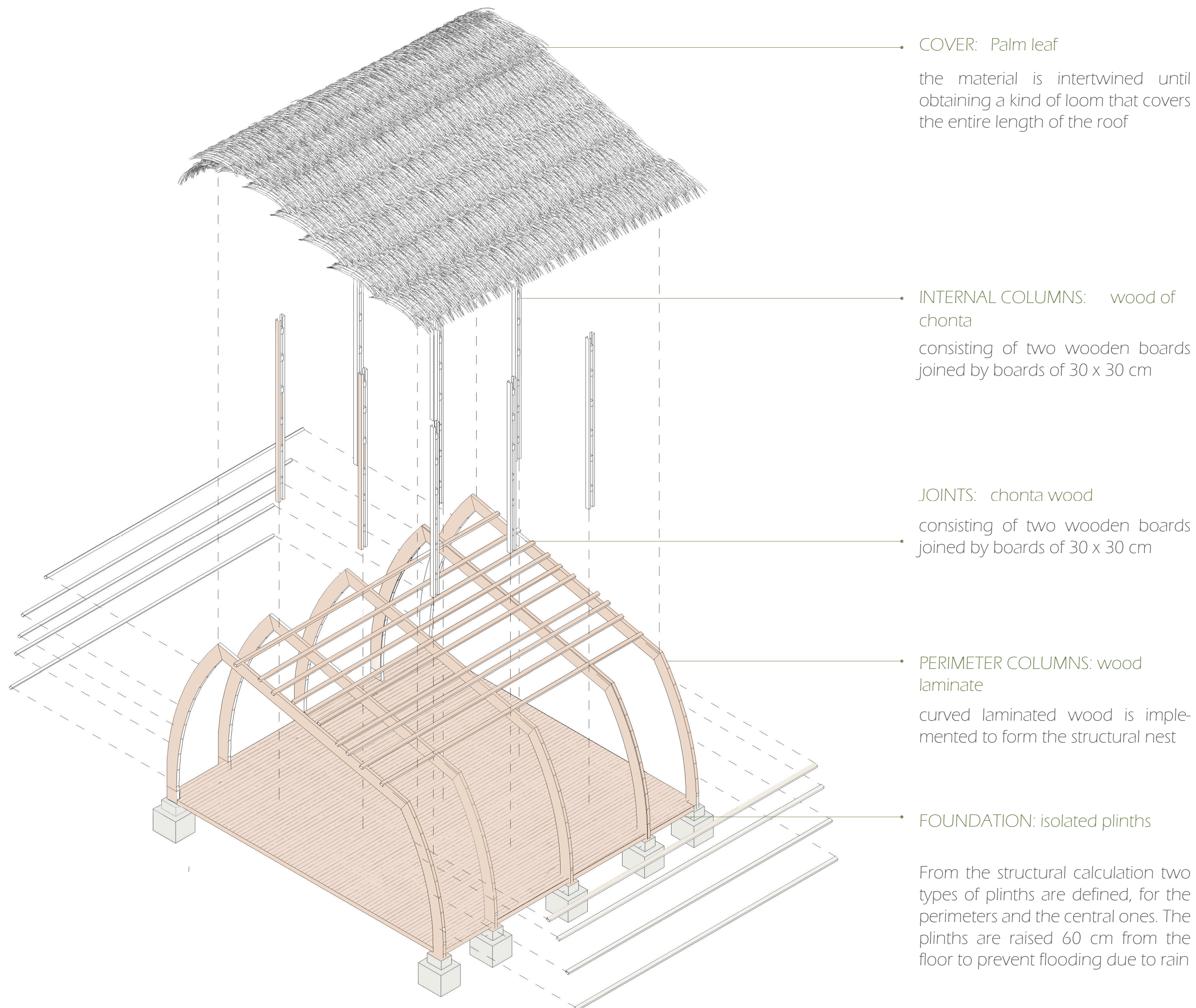


Detail 4: plinth - curved column



Detail 5: plinth - straight column

## Structural exploded view



## Constructive Section

