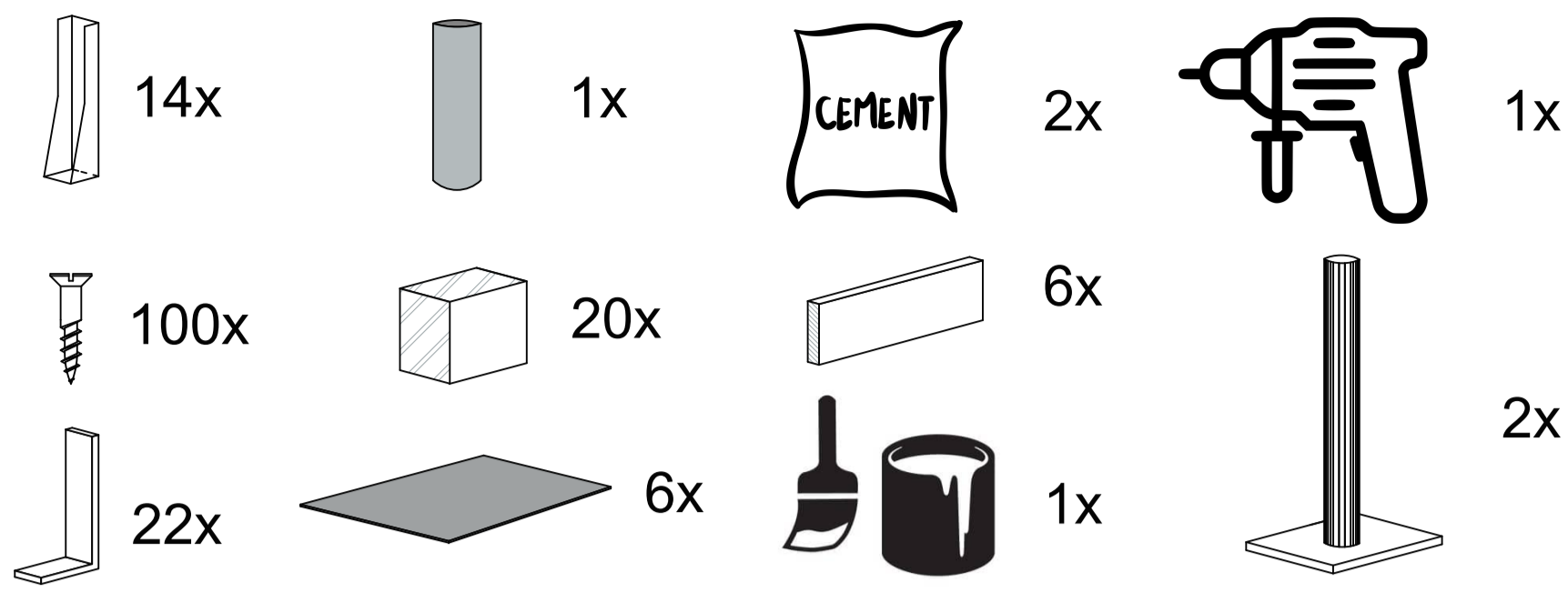
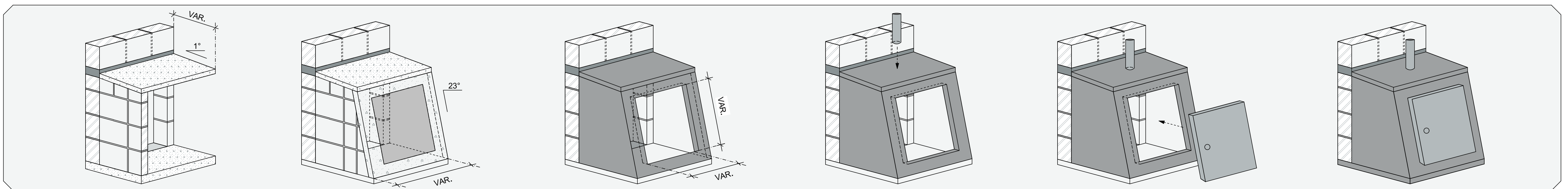
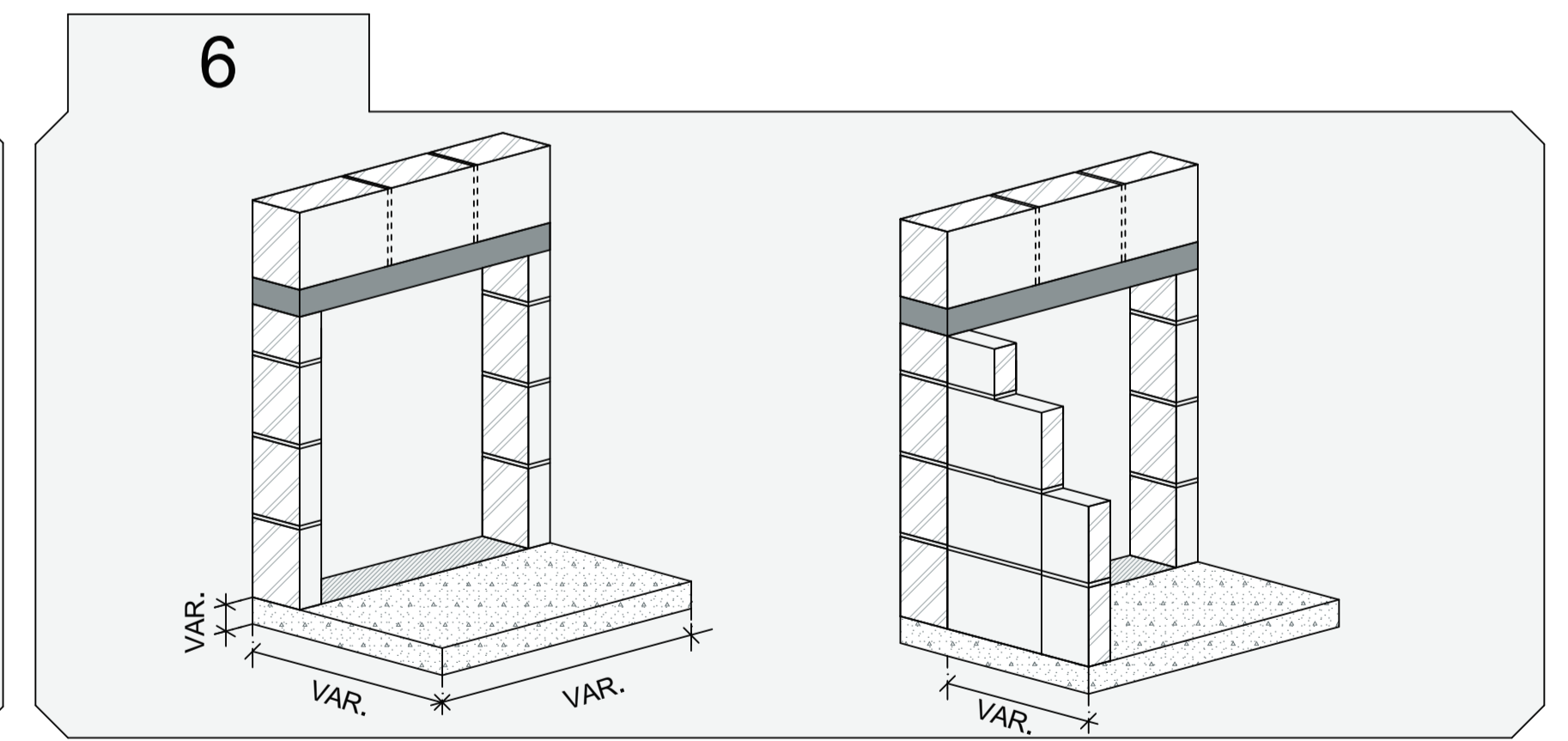
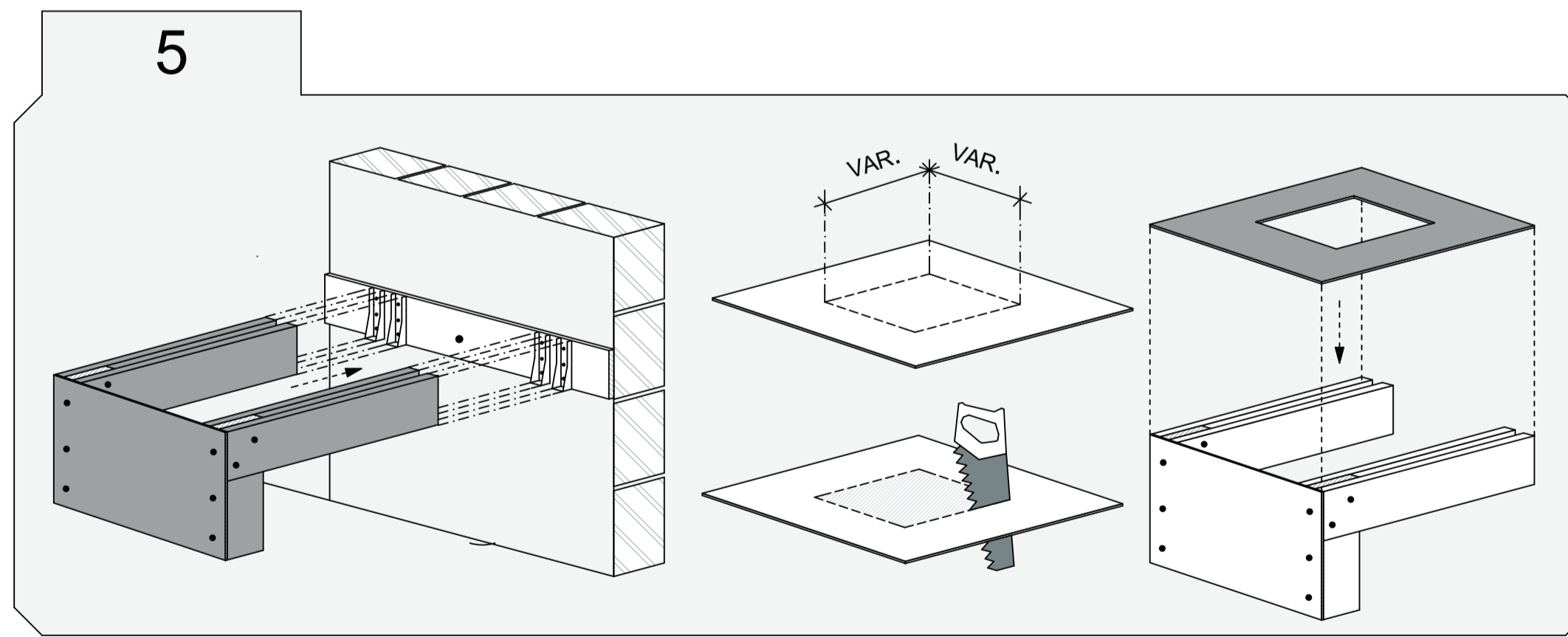
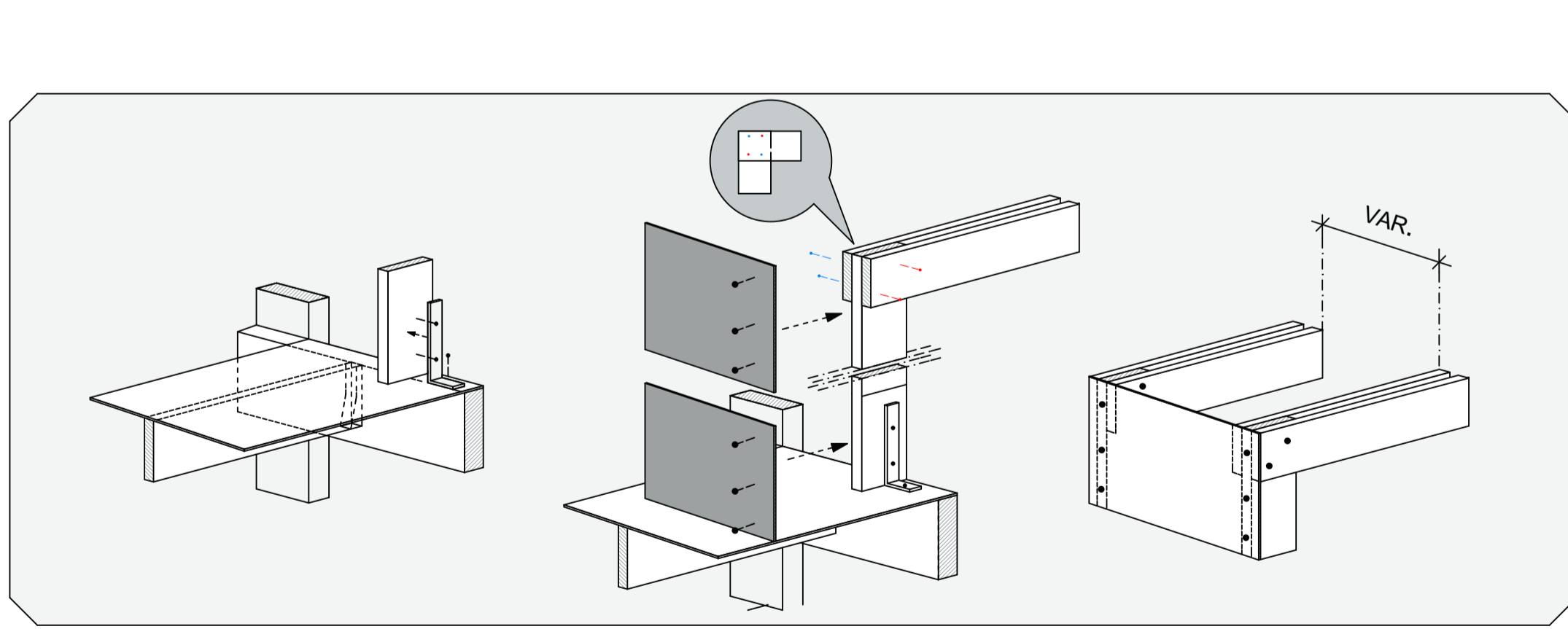
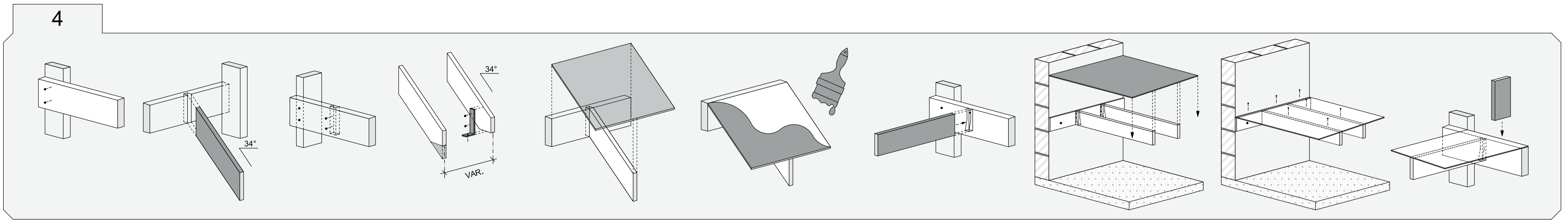
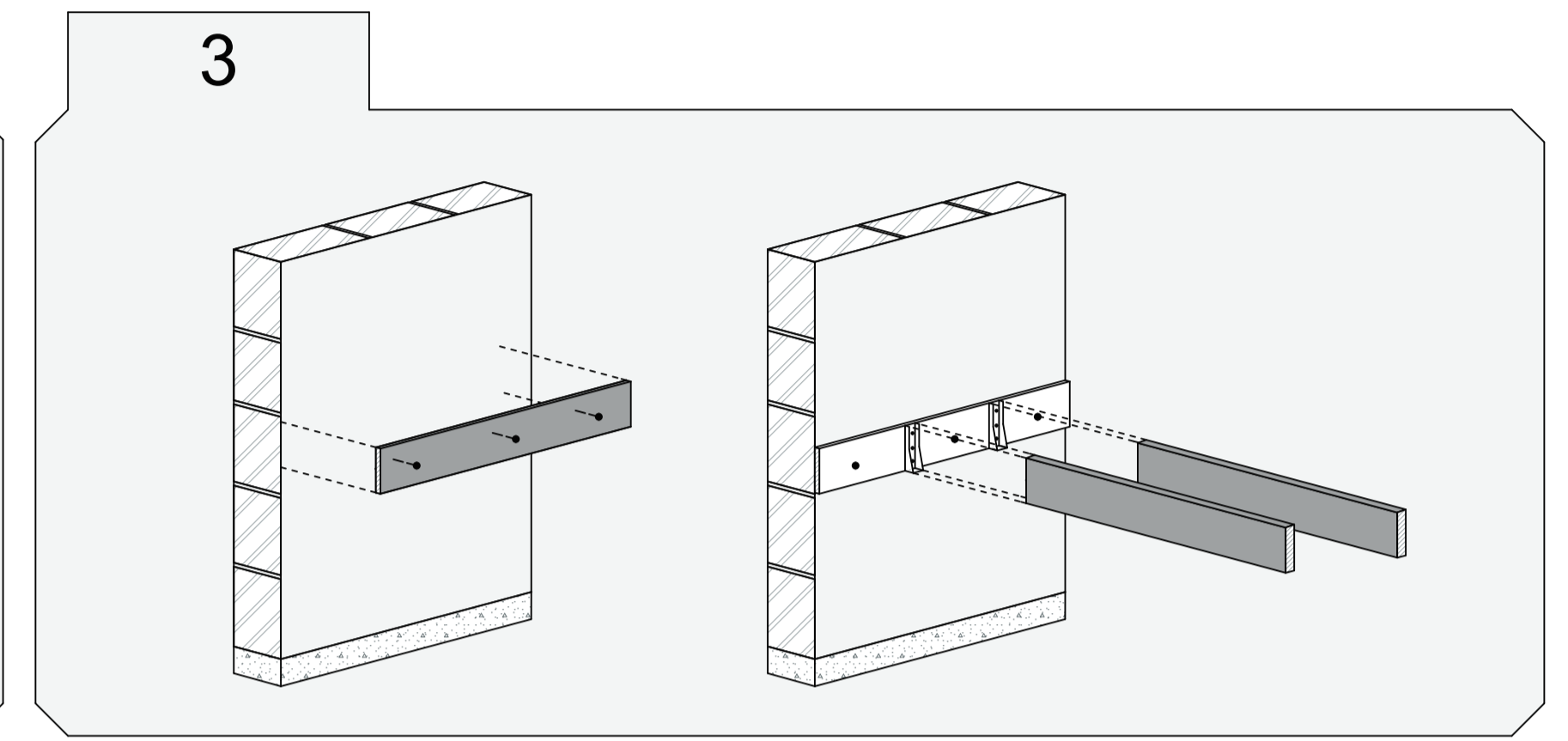
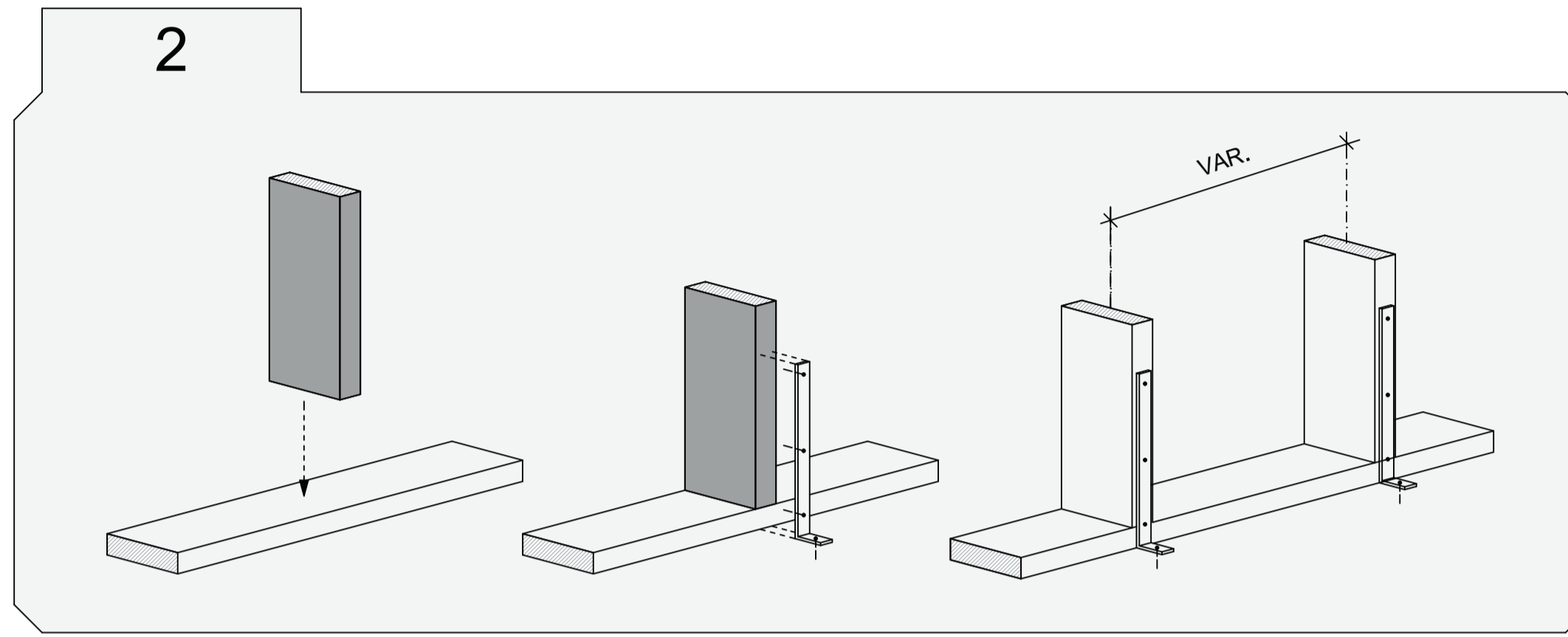
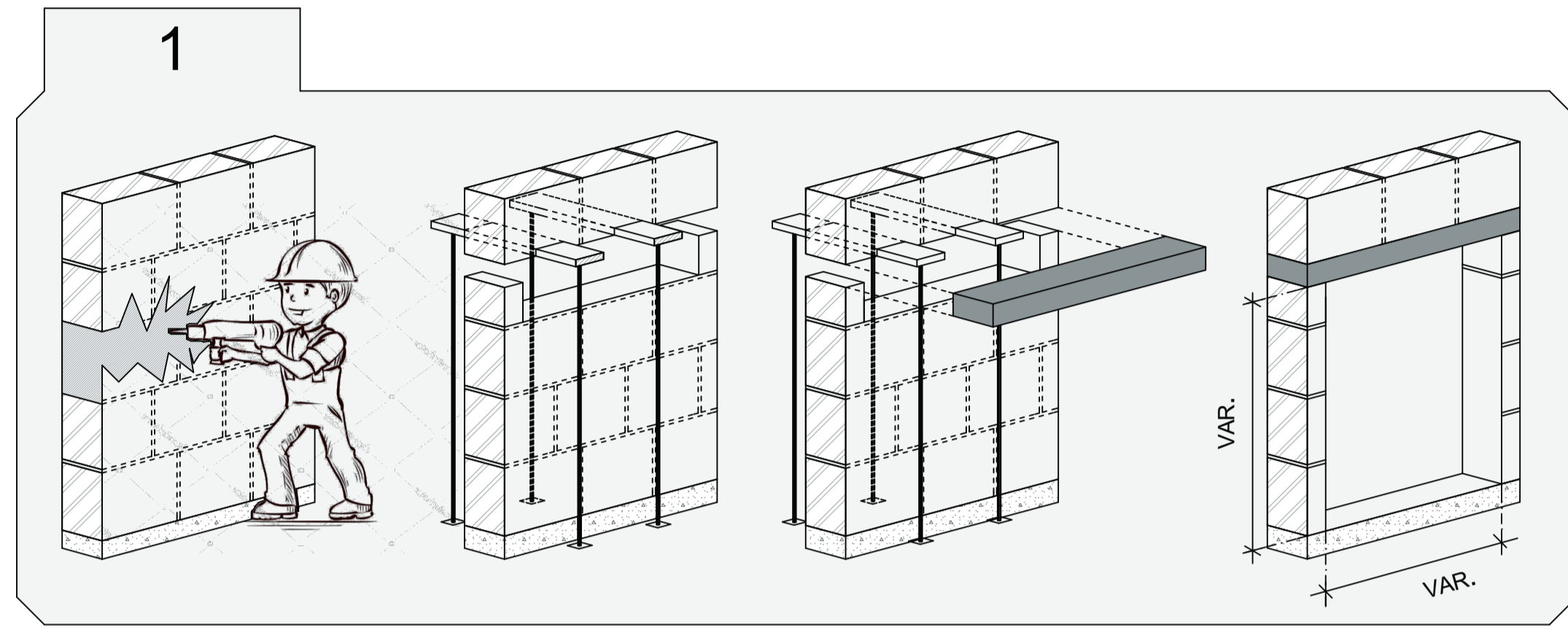
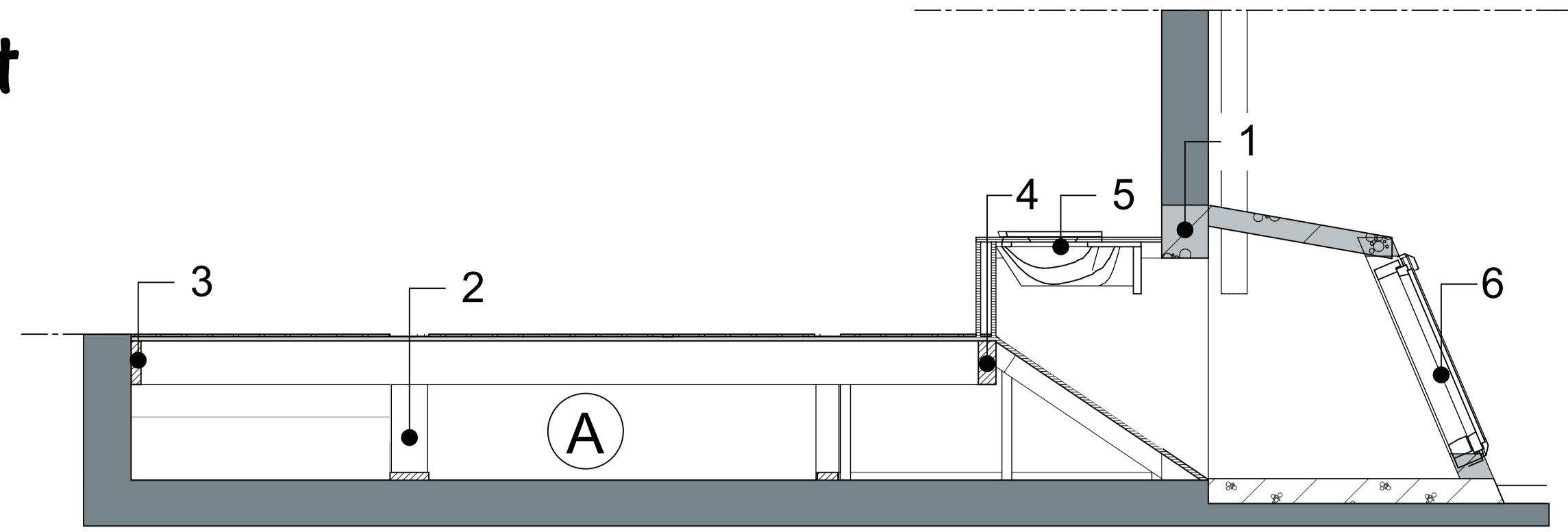


Necessities:

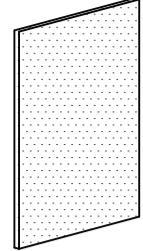
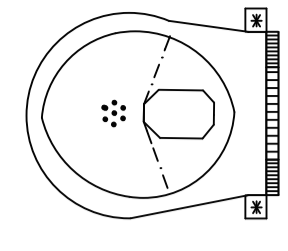
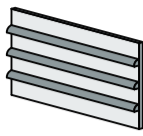

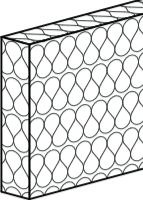




10 steps of building your own compost toilet

Made by: Curtsolý Jacobs, Keenah Dammers & Jeffrey Top



Necessities:

- 11x  1x 
- 2x  ±6.5m²  pvc 2" 3x
- 7x  1x  1x  1x

10 steps of building your own compost toilet

Made by: Curtsoloy Jacobs, Keenah Dammers & Jeffrey Top

